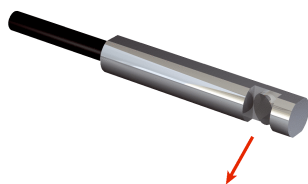


LL3-TK16

LL3

FIBER-OPTIC SENSORS AND FIBERS

SICK
Sensor Intelligence.



Ordering information

Type	Part no.
LL3-TK16	5313038

Other models and accessories → www.sick.com/LL3

Detailed technical data

Features

Device type	Fibers
Detection principle	Through-beam system
For fiber-optic sensor	GLL170(T), WLL180T, WLL24 Ex
Fiber length	2 m
Fiber material	Polymethylmethacrylat (PMMA)
Jacket material	Polyethylen (PE)
Fiber head material	Stainless steel ¹⁾
Outer diameter, fiber-optic cable connection	2.2 mm
Fiber-optic cable cuttable	✓ ²⁾
Fiber-optic head design	90° deflection
Fiber arrangement	Monofiber
Core structure	Ø 1,0 mm Monofiber
Bend radius, fibre-optic cable	25 mm
Angle of dispersion < 60°	Yes
Compatibility with infrared light (1,450 nm)	No
Ambient operating temperature	-40 °C ... +100 °C
Highly flexible/elastic fibers (bend radius 1–4 mm)	No
Adapter end sleeves required	No
Angle of dispersion	10.85°
Integrated lens	Yes
Minimal object diameter	0.2 mm ³⁾
Special features	90° deflection integrated, maximum sensing range
Included with delivery	Mounting, 2 x terminal, FC fiber cutter (5304141), protective cladding for fiber head
Compatibility tip adapters	No

¹⁾ Stainless steel.

²⁾ FC fiber optic cable cutter included in delivery.

³⁾ Minimum detectable object was determined at optimum measuring distance and optimum setting.

Classifications

ECl@ss 5.0	27270905
ECl@ss 5.1.4	27270905

ECI@ss 6.0	27270905
ECI@ss 6.2	27270905
ECI@ss 7.0	27270905
ECI@ss 8.0	27270905
ECI@ss 8.1	27270905
ECI@ss 9.0	27270905
ETIM 5.0	EC002651
ETIM 6.0	EC002651
UNSPSC 16.0901	39121528

Sensing ranges with WLL180T

Operating mode 16 μs	180 mm
Operating mode 70 μs	600 mm
Operating mode 250 μs	1,100 mm
Operating mode 2 ms	2,500 mm
Operating mode 8 ms	3,300 mm

Sensing ranges with GLL170

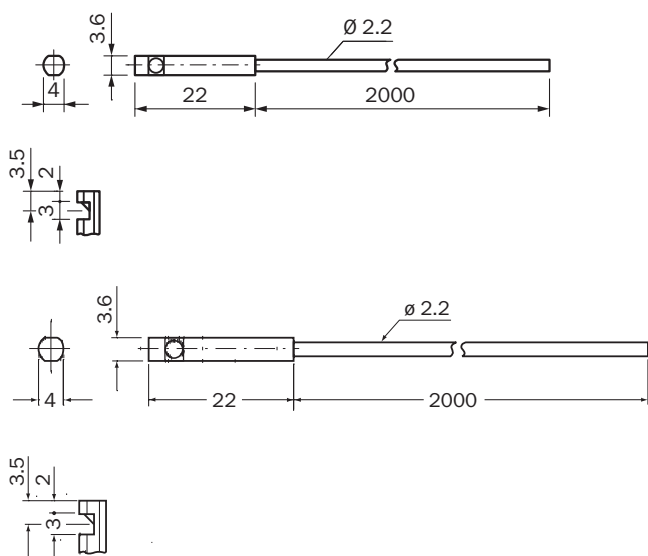
Operating mode 250 μs	590 mm
---------------------------------------------	--------

Sensing ranges with GLL170T

Operating mode 50 μs	530 mm
Operating mode 250 μs	790 mm

Dimensional drawing (Dimensions in mm (inch))

LL3-TK16



SICK AT A GLANCE

SICK is one of the leading manufacturers of intelligent sensors and sensor solutions for industrial applications. A unique range of products and services creates the perfect basis for controlling processes securely and efficiently, protecting individuals from accidents and preventing damage to the environment.

We have extensive experience in a wide range of industries and understand their processes and requirements. With intelligent sensors, we can deliver exactly what our customers need. In application centers in Europe, Asia and North America, system solutions are tested and optimized in accordance with customer specifications. All this makes us a reliable supplier and development partner.

Comprehensive services complete our offering: SICK LifeTime Services provide support throughout the machine life cycle and ensure safety and productivity.

For us, that is “Sensor Intelligence.”

WORLDWIDE PRESENCE:

Contacts and other locations –www.sick.com