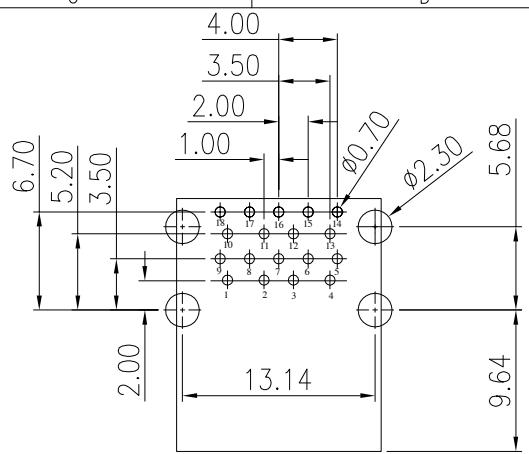
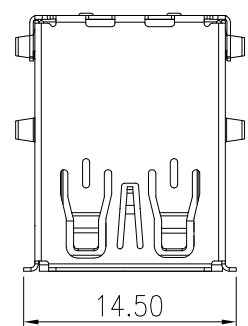


修改		修改摘要		签名		日期	
REV	MARK	REVISION	DESCRIPTION	SIGNATURE		DATE	
AO		NEW DWG				2016-03-12	



NOTE:

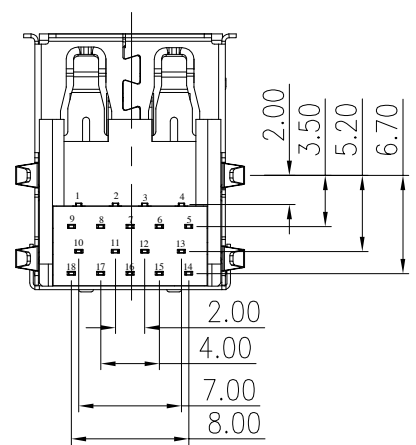
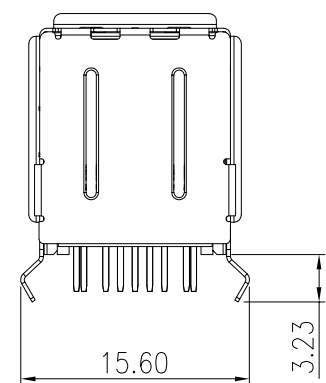
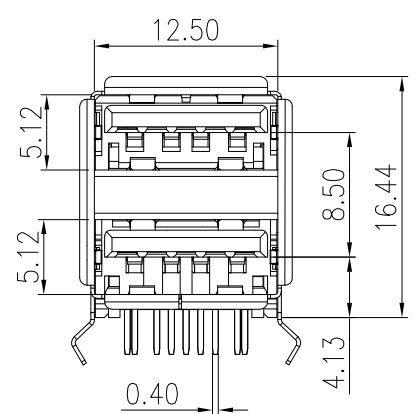
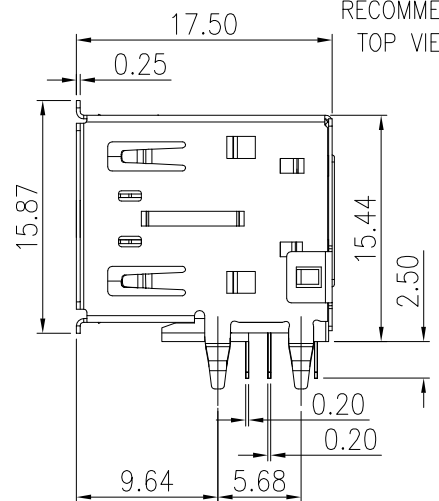
A. MATERIAL:

1. Housing: PBT UL94V-0 Blue
2. Cover: PBT UL94V-0 Blue
3. Contact: Copper Alloy
4. Shell: SUS201
5. Middle Spring: SUS201

B. PLATING:

1. Contact: Contact Area Gold Plated
Solder Area Sn(80u"Min) Plated
Under Plated Nickel(45u"Min)
2. Shell: Nickel(40u"Min) Plated

RECOMMENDED P.C.B HOLE LAYOUT
TOP VIEW(TOLERANCE:±0.05)



		深圳市华德共创科技有限公司 Shenzhen Huade co-create Technology Co.,LTD 电话: 0755-23304126 传真: 0755-29940187											
		TITLE: 产品名称: 双层USB3.0弯脚卷边PBT兰色插板		PART NO: 产品编号: USB-HX-19DIP									
-TOLERANCES- UNLESS OTHERWISE SPECIFIED 公差参数表				APPD: 核准:		DATE 2017-04-12		SCALE 1:1		UNIT mm		CODE NUMBER A001	
X.X	±0.30	X.X*	±3°	CHECK: 校对: 王建业		DATE 2017-04-12		SCALE 1:1		UNIT mm		CODE NUMBER A001	
X.XX	±0.20	X.XX*	±2°	DRAW: 绘图: 黄艳兰		DATE 2017-04-12		SCALE 1:1		UNIT mm		CODE NUMBER A001	
X.XXX	±0.10	X.XXX*	±1°										