

◆ ABSOLUTE MAXIMUM RATING at Tc=25°C

| Items | Symbols | Values | Unit |
|-----------------------------|---------|-----------|------|
| Optical Output Power | P | 12 | mW |
| Laser Diode Reverse Voltage | V | 2 | V |
| Photo Diode Reverse Voltage | V | 30 | V |
| Operating Temperature | Topr | -10 ~ +70 | °C |
| Storage Temperature | Tstg | -40 ~ +85 | °C |

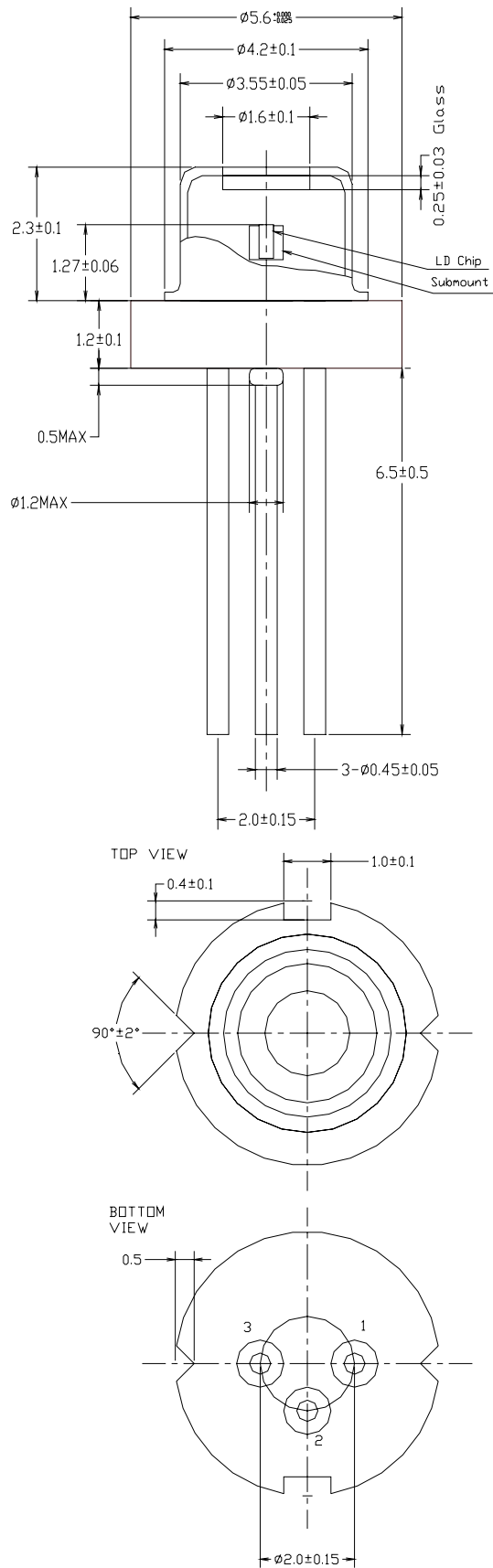
◆ ELECTRICAL and OPTICAL CHARACTERISTICS at Tc=25°C

| Items | Symbols | Min. | Typ. | Max. | Unit | Condition |
|----------------------|--------------------------------|------|------|------|---------------|-----------|
| Optical Output Power | Po | - | 10 | - | mW | - |
| Threshold Current | Ith | - | 20 | 40 | mA | - |
| Operating Current | Iop | - | 40 | 80 | mA | Po=10mW |
| Operating Voltage | Vop | - | 2.3 | 2.6 | V | Po=10mW |
| Lasing Wavelength | λ_p | 660 | 670 | 680 | nm | Po=10mW |
| Beam Divergence | $\theta_{ }$ | 7 | 9 | 11 | deg | Po=10mW |
| | θ_{\perp} | 20 | 28 | 35 | deg | Po=10mW |
| Beam Angle | $\Delta\theta_{ }$ | - | - | ±1.5 | Deg | Po=10mW |
| | $\Delta\theta_{\perp}$ | - | - | ±2.5 | deg | Po=10mW |
| Monitor Current | Im | 0.1 | 0.2 | 0.5 | mA | Po=10mW |
| Astigmatism | As | | 8 | | μm | |
| Optical Distance | $\Delta X, \Delta Y, \Delta Z$ | - | - | ±60 | μm | - |

NOTICE : LD67F7S-A/B/C to be operated on APC

The above product specifications are subject to change without notice.

◆ PACKAGE DIMENSION



◆ PACKING

