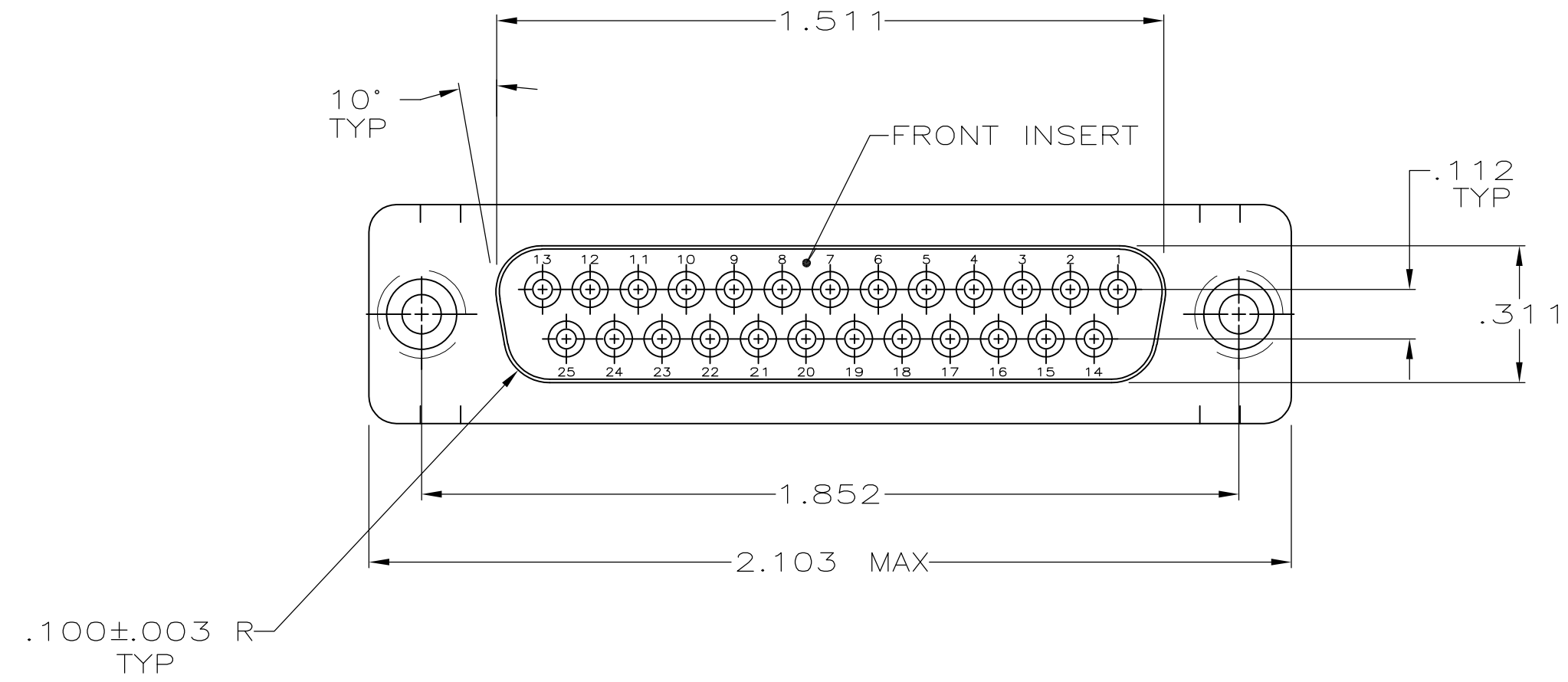
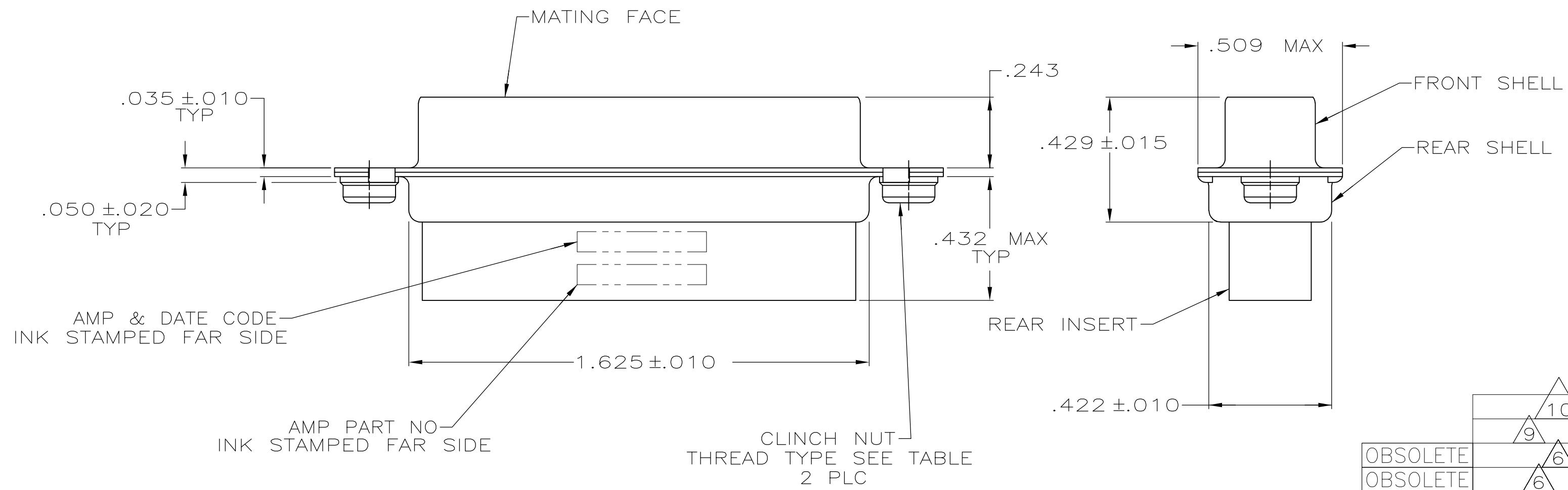


THIS DRAWING IS UNPUBLISHED. RELEASED FOR PUBLICATION
 © COPYRIGHT - By - ALL RIGHTS RESERVED.

LOC	DIST	REVISIONS			
P	LTR	DESCRIPTION	DATE	DWN	APVD
GP	00	F4 REVISED PER ECO-11-004835	11MAR11	RK	HMR



1. WIRE INSULATION SIZE RECOMMENDED FOR USE WITH THIS RECEPTACLE IS .068 DIA MAX.
 2. TO INSERT AND REMOVE CONTACTS USE TOOL 91067-2.
 3. CONTACT RETENTION TINES ARE AN INTEGRAL PART OF INSERT.
- △4 CARBON STEEL.
 - △5 ZINC PLATED YELLOW CHROMATE.
 - △6 .000200 MIN TIN OR TIN-LEAD PLATE OVER .000100 COPPER UNDERPLATE.
 - △7 GLASS FILLED BLACK NYLON.
 - △8 ZINC PLATED CLEAR CHROMATE.
 - △9 .000200 MIN TIN PLATE OVER .000100 MIN COPPER UNDERPLATE.
 - △10 ZINC PLATED .000200-.000400 THICK, YELLOW TRIVALENT CHROMIUM CHROMATE COATING.



	△10	△8	4-40	207516-6
	△9	△8	4-40	207516-5
OBSOLETE	△6	△5	M-3	207516-4
OBSOLETE	△6	△8	4-40	207516-3
OBSOLETE	-	-	-	207516-2
OBSOLETE	△5	△8	4-40	207516-1
	SHELL FINISH	CLINCH NUT FINISH	THREAD	PART NUMBER

THIS DRAWING IS A CONTROLLED DOCUMENT.

DWN H MOLL 11 APR 91	TE Connectivity
CHK R.STONE 17 APR 91	
APVD -	NAME
PRODUCT SPEC 108-10020	RECEPTACLE CONNECTOR, SIZE 3, 25 POSN, WITH CLINCH NUTS,
APPLICATION SPEC -	SIZE A2 CAGE CODE 00779 DRAWING NO C-207516 RESTRICTED TO -
MATERIAL FINISH	WEIGHT -
INSERTS △7 CLINCH NUTS & SHELLS:	CUSTOMER DRAWING SCALE 3:1 SHEET 1 OF 1 REV F4