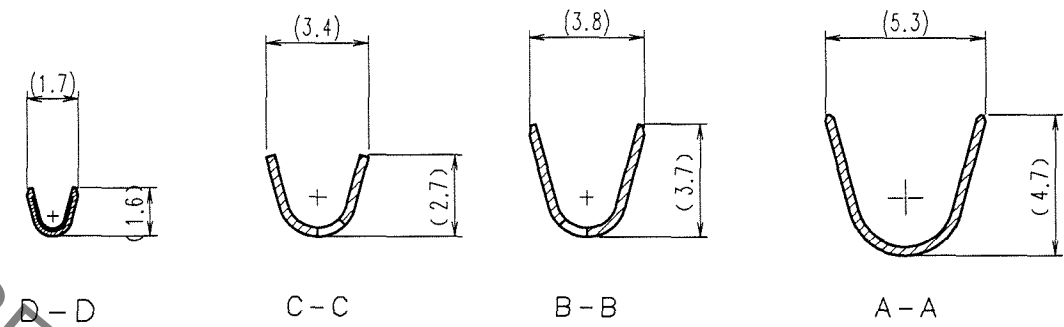
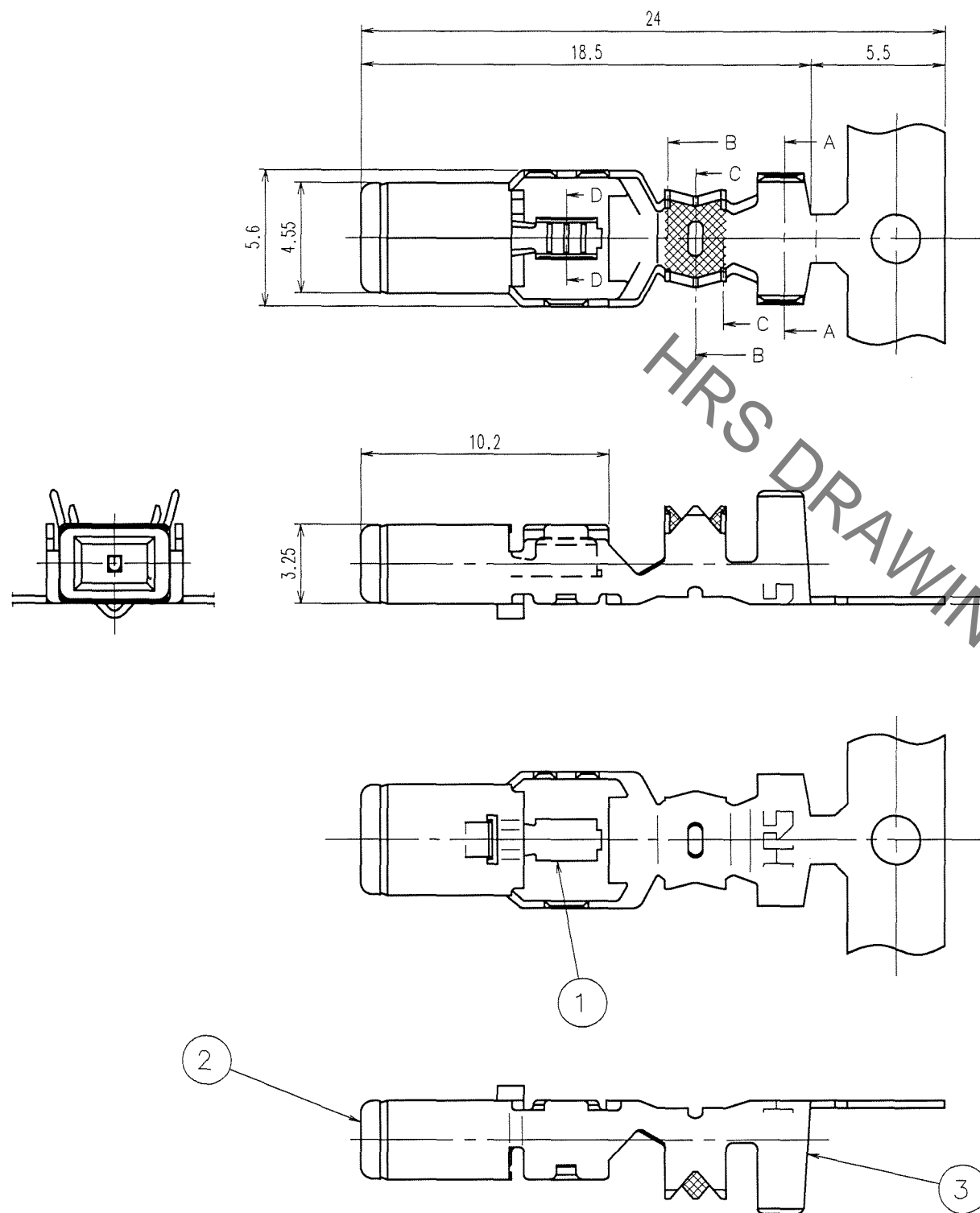


Aug.1.2019 Copyright 2019 HIROSE ELECTRIC CO., LTD. All Rights Reserved.  
In case of consideration for using Automotive equipment / device which demand high reliability, kindly contact our sales window correspondents.

ELV. RoHS COMPLIANT

COUNT	DESCRIPTION OF REVISIONS	BY	CHKD	DATE	COUNT	DESCRIPTION OF REVISIONS	BY	CHKD	DATE
△				..	△				..
△				..	△				..
△				..	△				..



NOTE1. PER REEL : 4000 CONTACTS.

1	COPPER ALLOY	TIN PLATED	3	COPPER ALLOY	TIN PLATED
2	PBT	DARK GLAY	2	PBT	DARK GLAY
NO.	MATERIAL	FINISH, REMARKS	NO.	MATERIAL	FINISH, REMARKS
CODE NO. (OLD) CL		DRAWN S.KURIYA	DESIGNED M.OKADA	CHECKED K. Ato	APPROVED K. Ato
		07. 2. 5	00.10.25	07.2.6	07.2.6
SCALE 4 : 1		DRAWING NO. EDC3-165433-01		PART NO. GT13-2428/1.6-2.9PCF(70)	
UNITS mm		HRS HIROSE ELECTRIC CO., LTD		CODE NO. CL763-0002-6-70	