

KR Electronics, Inc.

General Description

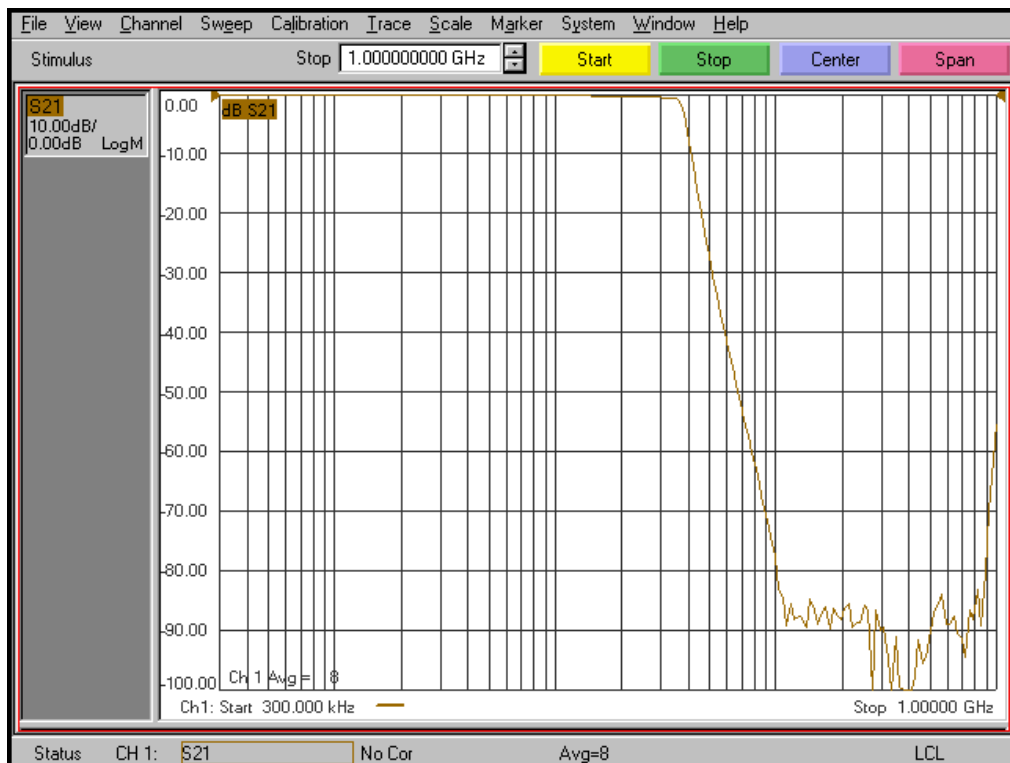
KR Electronics part number 3214-33+ is a 30 MHz Lowpass filter. Other frequencies are available. Please consult the factory.

Features

- 33 MHz Lowpass Filter
- 40 dB Bandwidth 59 MHz typical
- 50 Ω Source and Load
- Surface Mount

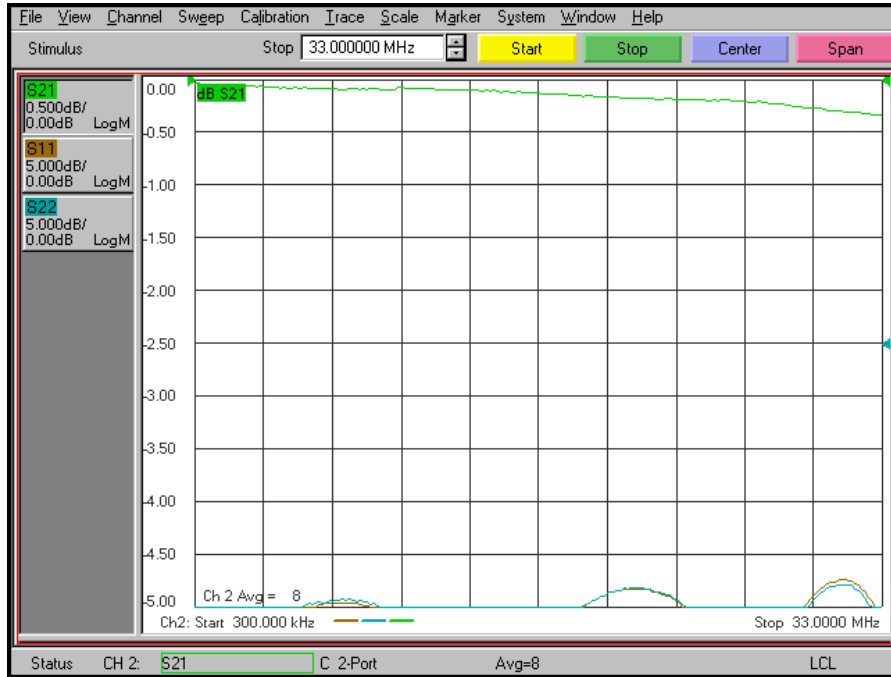
Typical Performance

Overall Response (10 dB/div)

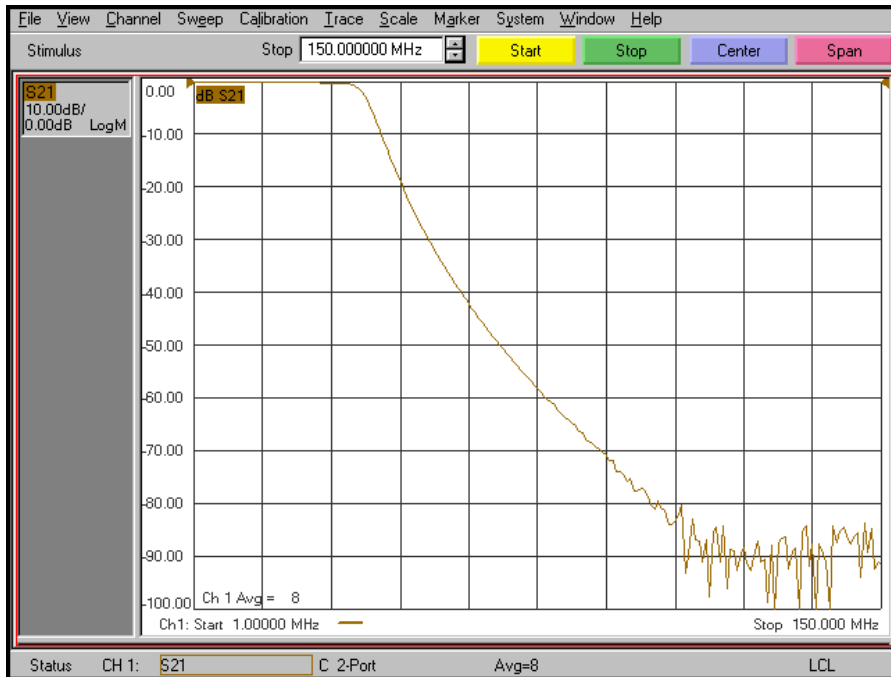


KR Electronics 3214-33+

Passband Amplitude & Return Loss (0.5 dB/div & 5 dB/div)



Overall Response (10 dB/div)



KR Electronics, Inc.
91 Avenel Street
Avenel, NJ 07001

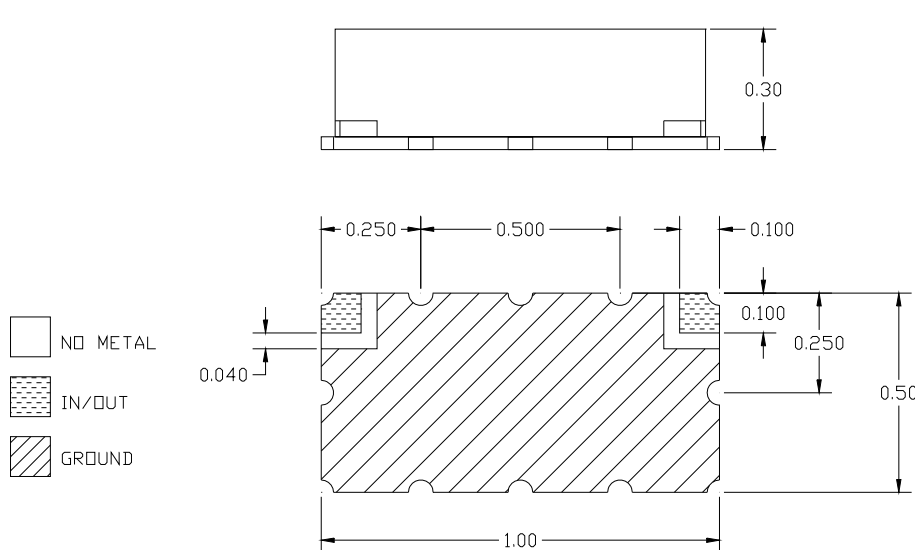
Web: www.krfilters.com
Email: sales@krfilters.com
Phone: (732) 636-1900
Fax: (732) 636-1982

KR Electronics 3214-33+

Specifications

Parameter	Specification	Notes
Filter type	Lowpass	
Insertion Loss	1 dBa max	< 0.1 dBa typical
1 dB Bandwidth	33 MHz min	36 MHz typical
3 dB Bandwidth	38 MHz typical	
40 dB Bandwidth	59 MHz typical	
60 dB Bandwidth	78 MHz typical	
Source and Load	50 Ω	

Physical Dimensions



Notes:

1. Surface mount package
2. Dimensions in inches
3. Max reflow temperature 230° C for 10 sec
4. If boards are cleaned after installation units must be completely dried