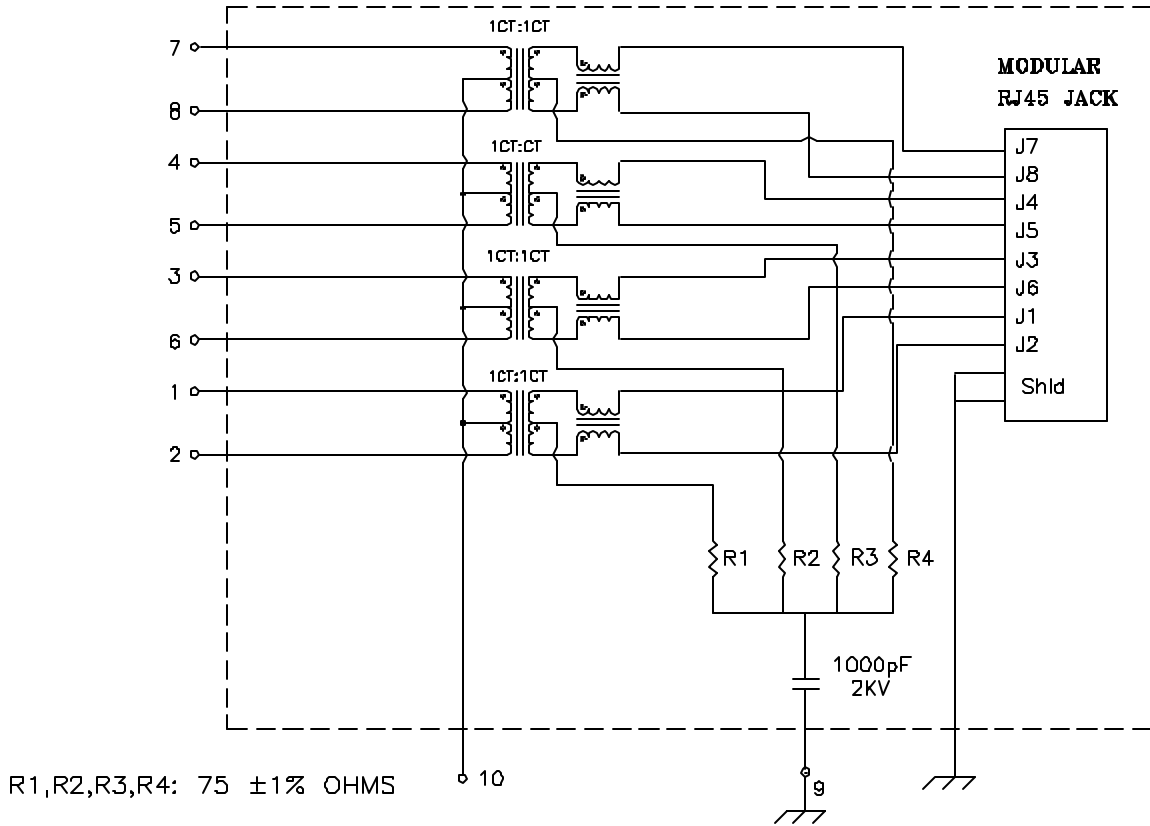


### Schematic: (SINGLE PORT)



### Electrical Specifications: @25°C

ISOLATION: 1500 Vrms  
 TURNS RATIO: (PRI/SEC) 1CT:1CT ±2%  
 OCL: 350uH MIN @100KHz 100mV 8mA DC  
 Rise Time: 1.75ns Max.  
 INSERTION LOSS: -1.0dB MAX @1MHz-100MHz  
 -1.5dB MAX @100-125MHz  
 RETURN LOSS: -18dB Min @1-30MHz  
 -15dB Min @40MHz -13.1dB Min @50MHz  
 -12dB Min @60-80MHz -10dB Min @100MHz  
 Differential to Common Mode Rejection:  
 -43dB Min @30MHz -37dB Min @80MHz  
 -33dB Min @100MHz  
 CMRR: -30dB Min @1-100MHz  
 Crosstalk: -45dB Min @30MHz  
 -40dB Min @60MHz -35dB Min @100MHz

**Notes:**

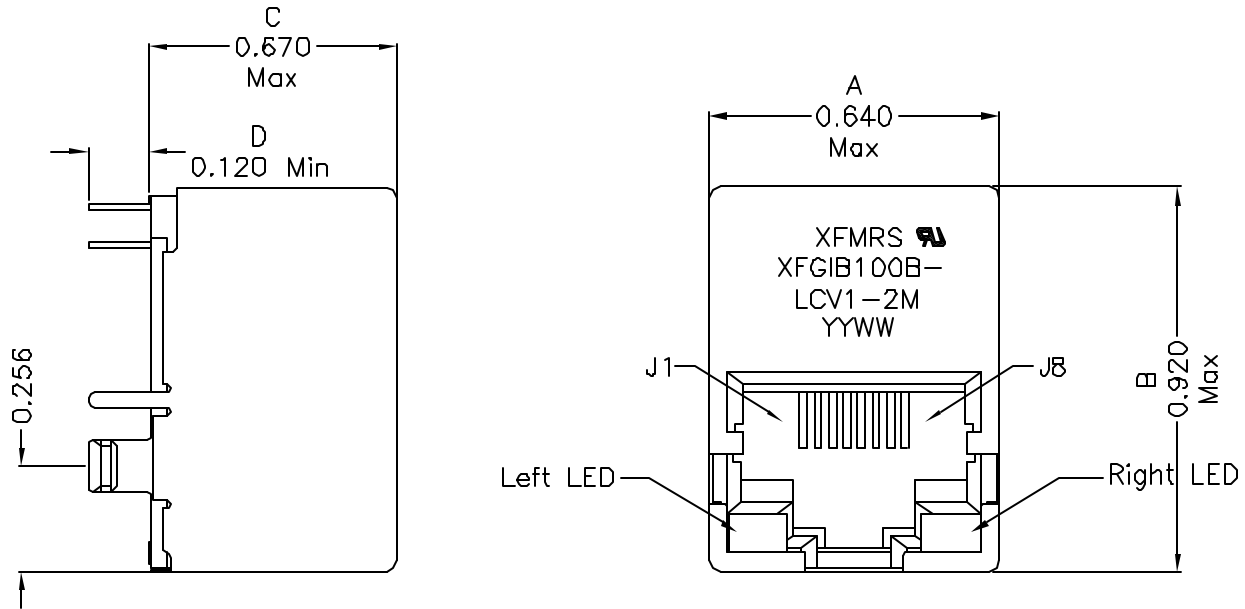
1. Solderability: Leads shall meet MIL-STD-202G, Method 208H for solderability.
2. Flammability: UL94V-0
3. ASTM oxygen index > 28%
4. Insulation System: Class F 155°C, UL file E151556
5. Operating Temperature Range: All listed parameters are to be within tolerance from -40°C to +85°C
6. Storage Temperature Range: -55°C to +125°C
7. Aqueous wash compatible
8. Electrical and mechanical specifications 100% tested
9. RoHS Compliant Component

DOC REV.: A/1

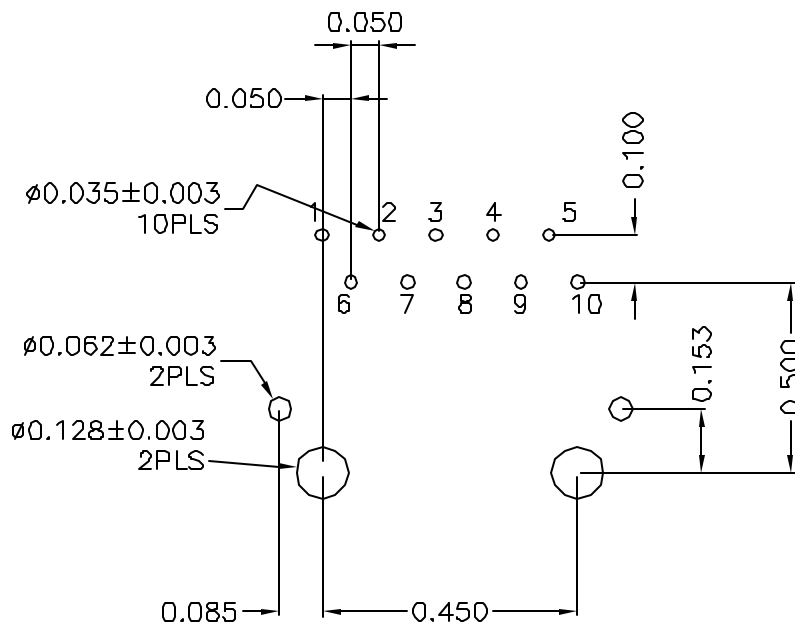
|                                    |   |                        |           |
|------------------------------------|---|------------------------|-----------|
| <b>XFMRS Inc.</b><br>www.XFMRS.com | Title: SINGLE PORT LED COMBO  |                        |           |
|                                    | UNLESS OTHERWISE SPECIFIED TOLERANCES:<br>.xxx ±0.010<br>Dimensions in Inch | P/N: XFGIB100B-LCV1-2M | REV. A    |
| SHEET 1 OF 2                       | DWN.  | Juan Mao               | Jan-09-07 |
|                                    | CHK.  | YK Liao                | Jan-09-07 |
|                                    | APP.  | BW                     | Jan-09-07 |

**PROPRIETARY:**  
 Document is the property of XFMRS Group & is not allowed to be duplicated without authorization.

**Mechanical Dimensions:**



**Mounting Pattern:**



P.C.B RECOMMENDED HOLE LAYOUT

DOC REV: A/1

**PROPRIETARY**

Document is the property of XFMRS Group & is not allowed to be duplicated without authorization.

|                                    |  |                        |           |
|------------------------------------|--|------------------------|-----------|
| <b>XFMRS Inc.</b><br>www.XFMRS.com | Title: Mechanical Dimensions<br>For LCV1-2M Series                             |                        |           |
|                                    | UNLESS OTHERWISE SPECIFIED<br>TOLERANCES:<br>.xxx ±0.010<br>Dimensions in Inch | P/N: XFGIB100B-LCV1-2M | REV. A    |
|                                    | DWN.   | Juan Mao               | Jan-09-07 |
|                                    | CHK.   | YK liao                | Jan-09-07 |
| SHEET 2 OF 2                       | APP.   | BW                     | Jan-09-07 |