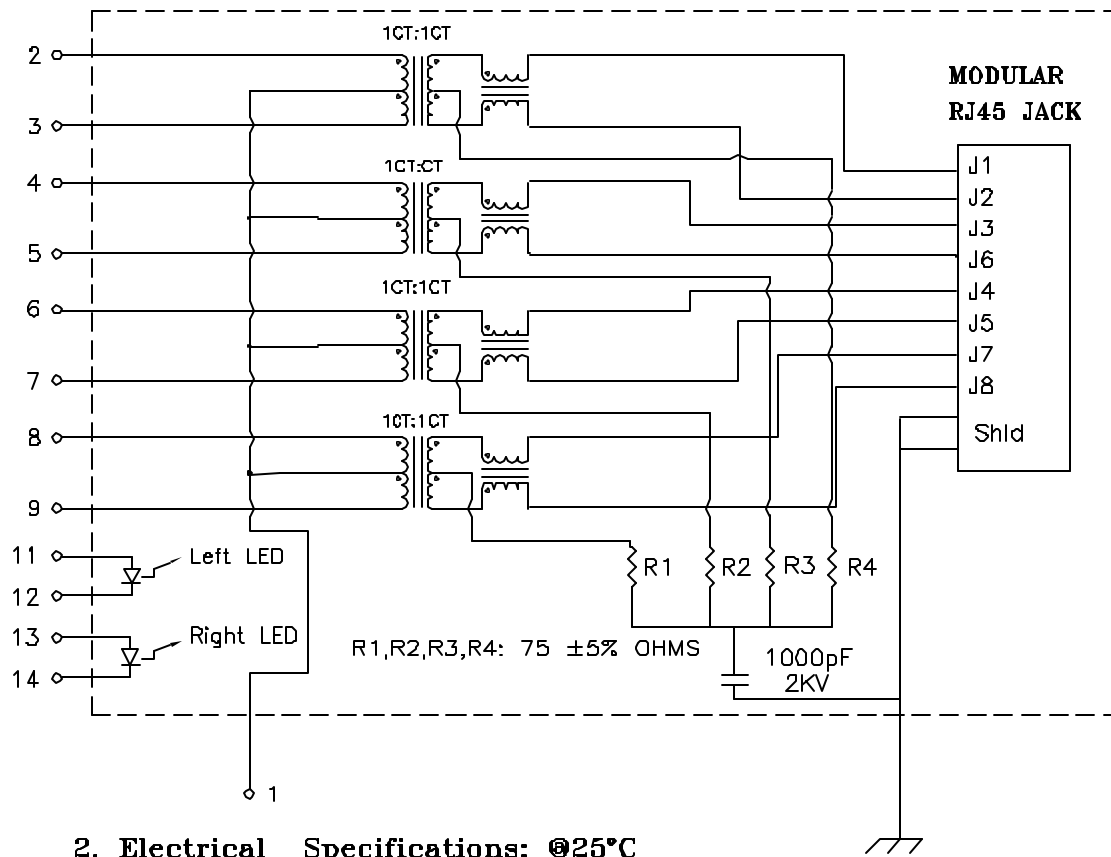


# 1. Schematic: (Single Port)



# 2. Electrical Specifications: @25°C

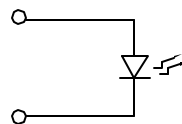
- ISOLATION: 1500 Vrms
- TURNS RATIO: (PRI/SEC) 1CT:1CT ±3%
- OCL: 35ΩuH MIN @100KHz 100mV 8mA DC
- Q: 1B Min @100KHz 0.1V
- Rise Time: 1.75ns Max.
- INSERTION LOSS: -1.0dB MAX @1MHz-100MHz  
-1.5dB MAX @100-125MHz
- RETURN LOSS: -18dB Min @1-30MHz  
-15dB Min @40MHz -13.1dB Min @50MHz  
-12dB Min @60-80MHz -10dB Min @100MHz
- Differential to Common Mode Rejection:  
-43dB Min @30MHz -37dB Min @80MHz  
-33dB Min @100MHz
- CMRR: -30dB Min @1-100MHz
- Crosstalk: -45dB Min @30MHz  
-40dB Min @60MHz -35dB Min @100MHz

Complete the Combo P/N as follows:

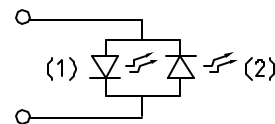
Replace 'x' & 'u' in the part number with one of the LED color letters:

- Y=Yellow
- G=Green
- A=Amber
- R=Red
- C=Green(1)/Amber(2) Bicolor
- D=Amber(1)/Green(2) Bicolor
- M=Green(1)/Yellow(2) Bicolor
- N=Yellow(1)/Green(2) Bicolor
- P=Red(1)/Green(2) Bicolor
- Q=Green(1)/Red(2) Bicolor
- 'x' = Left LED Color
- 'u' = Right LED Color

Single Color LED:



Bi-Color LED:



**Notes:**

1. Solderability: Leads shall meet MIL-STD-202G, Method 202B for solderability.
2. Flammability: UL94V-0
3. ASTM oxygen index > 28%
4. Insulation System: Class F 155°C. UL file E151555
5. Operating Temperature Range: All listed parameters are to be within tolerance from -40°C to +85°C
6. Storage Temperature Range: -55°C to +125°C
7. Aqueous wash compatible
8. Electrical and mechanical specifications 100% tested
9. RoHS Compliant Component

DOC REV.: B/4

**PROPRIETARY:**

Document is the property of XFMRs Group & is not allowed to be duplicated without authorization.

**XFMRs Inc.**  
www.XFMRs.com

Title:  
SINGLE PORT COMBO W/LEDs

UNLESS OTHERWISE SPECIFIED  
TOLERANCES:  
.xxx ±0.010

P/N: XFGIB100U-CLxu1-4MS

REV. B

Dimensions in Inch

DWN.

Juan Mao

May-16-08

SHEET 1 OF 2

CHK.

YK Liao

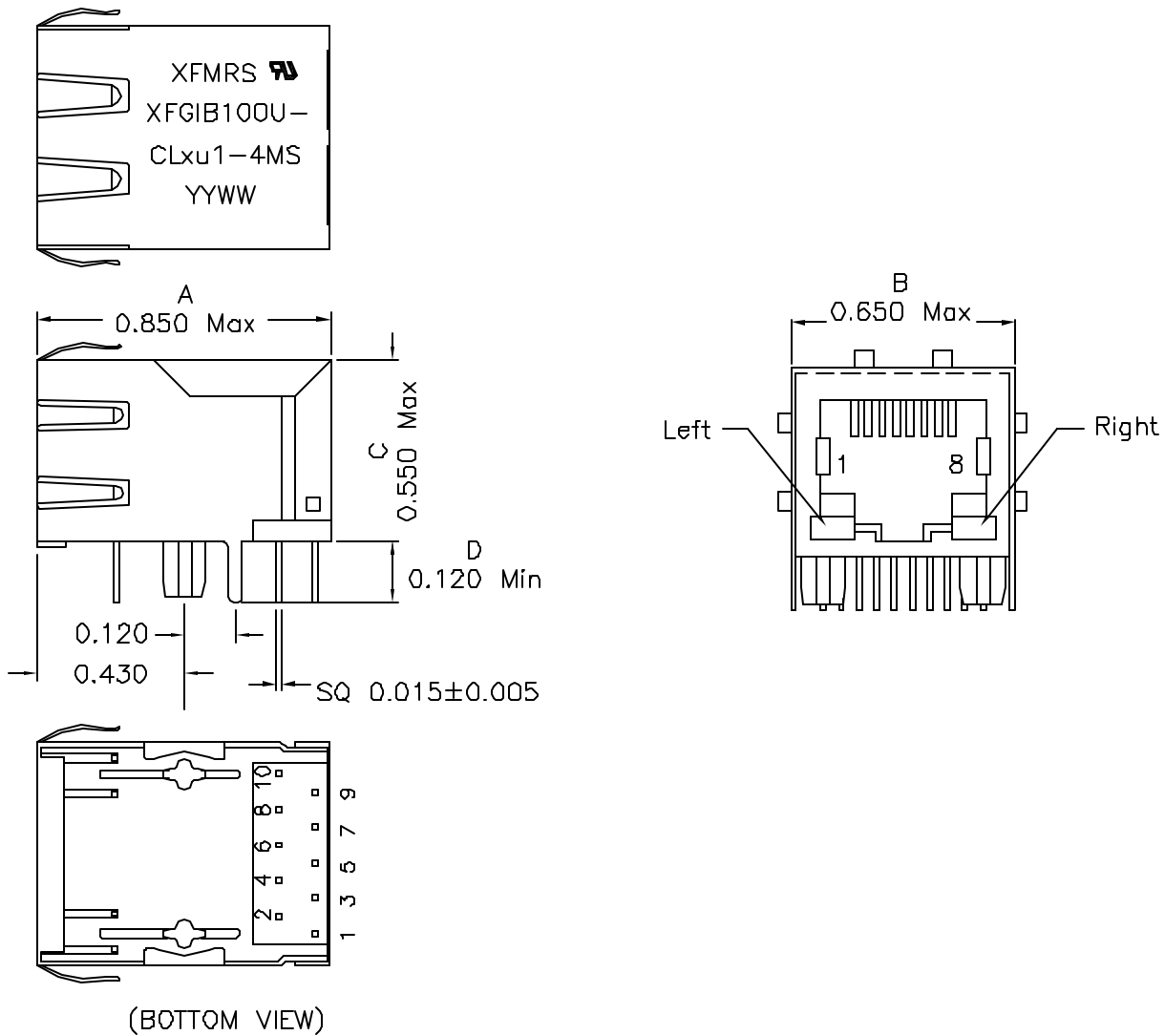
May-16-08

APP.

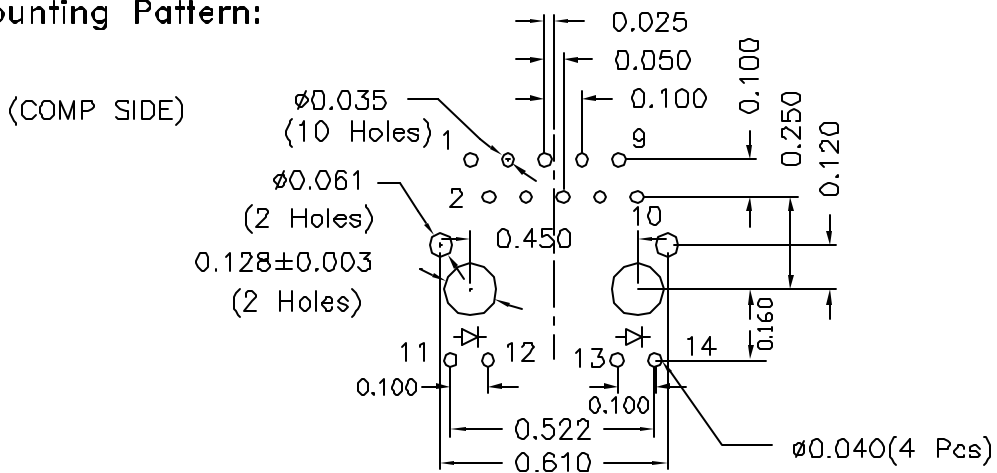
BW

May-16-08

### Mechanical Dimensions:



### Mounting Pattern:



**XFMRS Inc.**  
www.XFMRS.com

Title: Mechanical Dimensions  
For CLxu1-4MS Series

DOC. REV.: B/4

UNLESS OTHERWISE SPECIFIED  
TOLERANCES:

P/N: XFGIB100U-CLxu1-4MS

REV. B

.xxx ±0.010  
Dimensions in Inch

DWN.

Juan Mao

May-16-08

CHK.

YK Liao

May-16-08

SHEET 2 OF 2

APP.

BW

May-16-08

**PROPRIETARY:**

Document is the property of XFMRS Group & is not allowed to be duplicated without authorization.