

PLEASE CHECK WWW.MOLEX.COM FOR LATEST PART INFORMATION

Part Number: [0741621410](#)
Status: **Active**
Overview: [cgrid_sl_products](#)
Description: 2.54mm (.100") Pitch C-Grid® Receptacle, Right Angle, Through Hole, Dual Row, Shrouded, Version B, High-Temperature, 10 Circuits, 0.8µm (30µ") Gold (Au)

Documents:

[3D Model](#) [Product Specification PS-74162-001 \(PDF\)](#)
[Drawing \(PDF\)](#) [RoHS Certificate of Compliance \(PDF\)](#)

Agency Certification

UL E29179

General

Product Family PCB Receptacles
 Series [74162](#)
 Application Board-to-Board
 Overview [cgrid_sl_products](#)
 Product Name C-Grid®

Physical

Circuits (Loaded) 10
 Circuits (maximum) 10
 Color - Resin Black
 Durability (mating cycles max) 50
 Flammability 94V-0
 Glow-Wire Compliant No
 Guide to Mating Part No
 Keying to Mating Part None
 Lock to Mating Part Yes
 Material - Metal Phosphor Bronze
 Material - Plating Mating Gold
 Material - Plating Termination Tin
 Material - Resin High Performance Thermoplastic
 Number of Rows 2
 Orientation Right Angle
 PCB Locator No
 PCB Retention None
 Packaging Type Tube
 Pitch - Mating Interface (in) 0.100 In
 Pitch - Mating Interface (mm) 2.54 mm
 Pitch - Term. Interface (in) 0.100 In
 Pitch - Term. Interface (mm) 2.54 mm
 Plating min: Mating (µin) 0.8
 Plating min: Mating (µm) 30
 Polarized to Mating Part No
 Polarized to PCB No
 Robotic Placement None
 Stackable No
 Surface Mount Compatible (SMC) No
 Temperature Range - Operating -40°C to +105°C
 Termination Interface: Style Through Hole

Electrical

Current - Maximum per Contact 2.5A
 Grounding to PCB No



image - Reference only

Series

EU RoHS

ELV and RoHS Compliant
REACH SVHC Contains SVHC: No
Halogen-Free Status
Not Reviewed

China RoHS



Need more information on product environmental compliance?

Email productcompliance@molex.com
 For a multiple part number RoHS Certificate of Compliance, [click here](#)

Please visit the [Contact Us](#) section for any non-product compliance questions.

Search Parts in this Series
[74162Series](#)

Voltage - Maximum 250V

Solder Process Data

| | |
|--|------------------------|
| Duration at Max. Process Temperature (seconds) | 5 |
| Lead-free Process Capability | Wave Capable (TH only) |
| Max. Cycles at Max. Process Temperature | 1 |
| Process Temperature max. C | 260 |

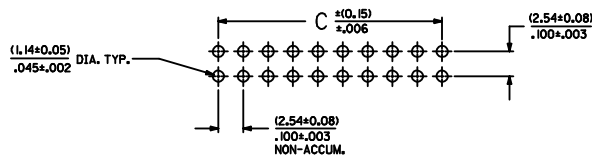
Material Info

Reference - Drawing Numbers

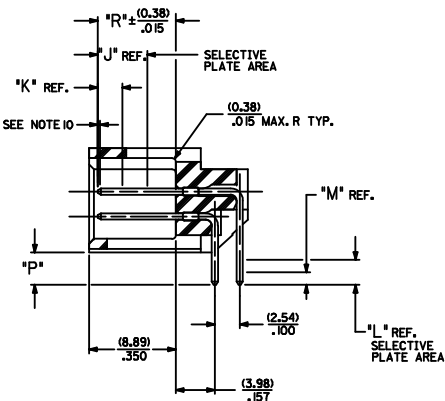
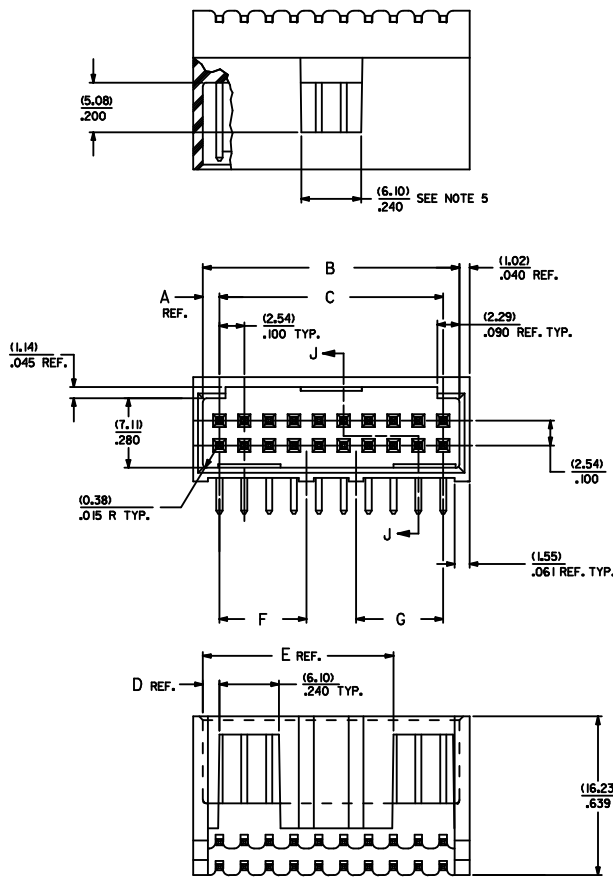
| | |
|-------------------------|---------------|
| Packaging Specification | PK-70873-0019 |
| Product Specification | PS-74162-001 |
| Sales Drawing | SD-74162-001 |

This document was generated on 05/31/2010

PLEASE CHECK WWW.MOLEX.COM FOR LATEST PART INFORMATION



RECOMMENDED P.C. BOARD HOLE LAYOUT

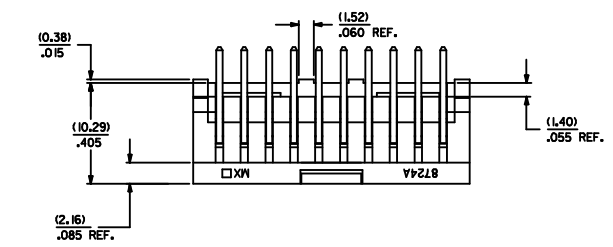


SECTION J-J

- NOTES
- MATERIAL: SHROUDED WAFER: GLASS FILLED, LIQUID CRYSTAL POLYMER, COLOR: BLACK, UL94V-0
PINS: PHOSPHOR BRONZE
 - FINISH:
TIN - 3.81 MICROMETERS/150 MICROINCHES MINIMUM TIN PLATE OVER NICKEL UNDERPLATE OVERALL
15 GOLD - 0.38 MICROMETERS/15 MICROINCHES MINIMUM GOLD PLATE IN SELECT AREA
1.91 MICROMETERS/75 MICROINCHES MINIMUM TIN PLATE IN SELECT AREA OVER NICKEL UNDERPLATE OVERALL
30 GOLD - 0.76 MICROMETERS/30 MICROINCHES MINIMUM GOLD PLATE IN SELECT AREA
1.91 MICROMETERS/75 MICROINCHES MINIMUM TIN PLATE IN SELECT AREA OVER NICKEL UNDERPLATE OVERALL
 - PRODUCT SPECIFICATION: PS-74162-0001
 - PACKAGING INFORMATION: SEE CHARTS
 - WINDOW NOT AVAILABLE ON 6 CKT.
 - FOR CHARTED DIMENSIONS AND ASSEMBLY NOS NOT SHOWN ON THIS SHEET - SEE SHEET 2.
 - 20 CIRCUIT SIZE SHOWN FOR ILLUSTRATION PURPOSES.
 - PIN PUSHOUT FORCE: 117.79 N/4 LBS.
 - PINS MUST MEET SOLDERABILITY SPEC. MIL-STD-202 METHOD 208B.
 - ROW TO ROW PIN HEIGHT VARIATION MUST NOT EXCEED 0.25/0.10 IN.
 - THIS PART CONFORMS TO CLASS B REQUIREMENTS OF COSMETIC SPECIFICATION PS-45499-002.

| CKT. | DIM. "A" | DIM. "B" | DIM. "C" | DIM. "D" | DIM. "E" | DIM. "F" | DIM. "G" |
|------|---------------|-----------------|-----------------|---------------|-----------------|-----------------|-----------------|
| 06 | (1.68) / .066 | (8.43) / .332 | (5.08) / .200 | (1.68) / .066 | | | |
| 08 | (1.68) / .066 | (10.87) / .432 | (7.52) / .300 | (1.68) / .066 | | | |
| 10 | (1.68) / .066 | (13.51) / .532 | (10.16) / .400 | (4.22) / .166 | | | |
| 12 | (1.68) / .066 | (16.05) / .632 | (12.70) / .500 | (4.22) / .166 | | | |
| 14 | (1.68) / .066 | (18.59) / .732 | (15.24) / .600 | (6.76) / .266 | | | |
| 16 | (1.68) / .066 | (21.13) / .832 | (17.78) / .700 | (6.76) / .266 | | | |
| 18 | (1.68) / .066 | (23.67) / .932 | (20.32) / .800 | (9.30) / .366 | | | |
| 20 | (1.68) / .066 | (26.21) / 1.032 | (22.86) / .900 | (1.68) / .066 | (19.46) / .766 | | |
| 22 | (1.68) / .066 | (28.75) / 1.132 | (25.40) / 1.000 | (1.68) / .066 | (22.00) / .866 | | |
| 24 | (1.68) / .066 | (31.29) / 1.232 | (27.94) / 1.100 | (1.68) / .066 | (24.54) / .966 | (16.64) / .655 | |
| 26 | (1.68) / .066 | (33.83) / 1.332 | (30.48) / 1.200 | (1.68) / .066 | (27.08) / 1.066 | (16.64) / .655 | |
| 28 | (1.68) / .066 | (36.37) / 1.432 | (33.02) / 1.300 | (1.68) / .066 | (29.62) / 1.166 | (16.64) / .655 | |
| 30 | (1.68) / .066 | (38.91) / 1.532 | (35.56) / 1.400 | (1.68) / .066 | (32.16) / 1.266 | (16.64) / .655 | |
| 32 | (1.68) / .066 | (41.45) / 1.632 | (38.10) / 1.500 | (1.68) / .066 | (34.70) / 1.366 | (16.64) / .655 | |
| 34 | (1.68) / .066 | (43.99) / 1.732 | (40.64) / 1.600 | (1.68) / .066 | (37.24) / 1.466 | (16.64) / .655 | |
| 36 | (1.68) / .066 | (46.53) / 1.832 | (43.18) / 1.700 | (1.68) / .066 | (39.78) / 1.566 | (16.64) / .655 | (16.76) / .660 |
| 38 | (1.68) / .066 | (49.07) / 1.932 | (45.72) / 1.800 | (1.68) / .066 | (42.32) / 1.666 | (16.64) / .655 | (16.76) / .660 |
| 40 | (1.68) / .066 | (51.61) / 2.032 | (48.26) / 1.900 | (1.68) / .066 | (44.86) / 1.766 | (16.64) / .655 | (16.76) / .660 |
| 42 | (1.68) / .066 | (54.15) / 2.132 | (50.80) / 2.000 | (1.68) / .066 | (47.40) / 1.866 | (16.64) / .655 | (16.76) / .660 |
| 44 | (1.68) / .066 | (56.69) / 2.232 | (53.34) / 2.100 | (1.68) / .066 | (49.94) / 1.966 | (19.05) / .750 | (16.76) / .660 |
| 46 | (1.68) / .066 | (59.23) / 2.332 | (55.88) / 2.200 | (1.68) / .066 | (52.48) / 2.066 | (19.05) / .750 | (16.76) / .660 |
| 48 | (1.68) / .066 | (61.77) / 2.432 | (58.42) / 2.300 | (1.68) / .066 | (55.02) / 2.166 | (19.05) / .750 | (16.76) / .660 |
| 50 | (1.68) / .066 | (64.31) / 2.532 | (60.96) / 2.400 | (1.68) / .066 | (57.56) / 2.266 | (19.05) / .750 | (16.76) / .660 |
| 52 | (1.68) / .066 | (66.85) / 2.632 | (63.50) / 2.500 | (1.68) / .066 | (60.10) / 2.366 | (19.05) / .750 | (16.76) / .660 |
| 54 | (1.68) / .066 | (69.39) / 2.732 | (66.04) / 2.600 | (1.68) / .066 | (62.64) / 2.466 | (21.59) / .850 | (21.84) / .860 |
| 56 | (1.68) / .066 | (71.93) / 2.832 | (68.58) / 2.700 | (1.68) / .066 | (65.18) / 2.566 | (21.59) / .850 | (21.84) / .860 |
| 58 | (1.68) / .066 | (74.47) / 2.932 | (71.12) / 2.800 | (1.68) / .066 | (67.72) / 2.666 | (27.81) / 1.095 | (26.32) / 1.060 |
| 60 | (1.68) / .066 | (77.01) / 3.032 | (73.66) / 2.900 | (1.68) / .066 | (70.26) / 2.766 | (27.81) / 1.095 | (26.32) / 1.060 |
| 62 | (1.68) / .066 | (79.55) / 3.132 | (76.20) / 3.000 | (1.68) / .066 | (72.80) / 2.866 | (27.81) / 1.095 | (26.32) / 1.060 |
| 64 | (1.68) / .066 | (82.09) / 3.232 | (78.74) / 3.100 | (1.68) / .066 | (75.34) / 2.966 | (27.81) / 1.095 | (26.32) / 1.060 |
| 66 | (1.68) / .066 | (84.63) / 3.332 | (81.28) / 3.200 | (1.68) / .066 | (77.88) / 3.066 | (27.81) / 1.095 | (26.32) / 1.060 |
| 68 | (1.68) / .066 | (87.17) / 3.432 | (83.82) / 3.300 | (1.68) / .066 | (80.42) / 3.166 | (27.81) / 1.095 | (26.32) / 1.060 |
| 70 | (1.68) / .066 | (89.71) / 3.532 | (86.36) / 3.400 | (1.68) / .066 | (82.96) / 3.266 | (27.81) / 1.095 | (26.32) / 1.060 |
| 72 | (1.68) / .066 | (92.25) / 3.632 | (88.90) / 3.500 | (1.68) / .066 | (85.50) / 3.366 | (27.81) / 1.095 | (26.32) / 1.060 |

ASSEMBLY STYLES "A", "B", AND "G"

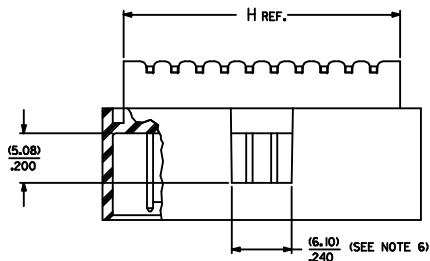


| INITIAL RELEASE EC NO. UCP2009-1776 DRAWN BY: BARRO 2009/03/27 CHKD BY: BARKER 2009/04/20 APPR: SMILLER 2009/04/21 | QUALITY SYMBOLS $\nabla=0$ $\nabla=0$ | | GENERAL TOLERANCES (UNLESS SPECIFIED) <table border="1"> <tr><th></th><th>mm</th><th>INCH</th></tr> <tr><td>4 PLACES ±</td><td>---</td><td>±---</td></tr> <tr><td>3 PLACES ±</td><td>---</td><td>±0.01</td></tr> <tr><td>2 PLACES ±</td><td>0.25</td><td>±.014</td></tr> <tr><td>1 PLACE ±</td><td>0.36</td><td>±---</td></tr> </table> | | | mm | INCH | 4 PLACES ± | --- | ±--- | 3 PLACES ± | --- | ±0.01 | 2 PLACES ± | 0.25 | ±.014 | 1 PLACE ± | 0.36 | ±--- | DIMENSION STYLE MM/IN | | SCALE DESIGN UNITS INCH | | THIRD ANGLE PROJECTION | |
|---|--|--|---|----------------------------------|--|---|------|----------------------------|-----|------|------------|-----|-------|------------|------|-------|-----------|------|------|---------------------------------|--|--------------------------------------|--|-----------------------------------|--|
| | | mm | INCH | | | | | | | | | | | | | | | | | | | | | | |
| | 4 PLACES ± | --- | ±--- | | | | | | | | | | | | | | | | | | | | | | |
| | 3 PLACES ± | --- | ±0.01 | | | | | | | | | | | | | | | | | | | | | | |
| 2 PLACES ± | 0.25 | ±.014 | | | | | | | | | | | | | | | | | | | | | | | |
| 1 PLACE ± | 0.36 | ±--- | | | | | | | | | | | | | | | | | | | | | | | |
| DRAFT WHERE APPLICABLE MUST REMAIN WITHIN DIMENSIONS | | APPROVED BY SMILLER 2009/03/27 | | MATERIAL NO. SEE TABLE | | DOCUMENT NO. MOLEX INCORPORATED | | SHEET NO. 1 OF 8 | | | | | | | | | | | | | | | | | |
| SALES ASSEMBLY WAFER-RIGHT ANGLE FULLY SHROUDED .100 GRID | | | | | | | | | | | | | | | | | | | | | | | | | |
| MOLEX INCORPORATED | | | | | | | | | | | | | | | | | | | | | | | | | |

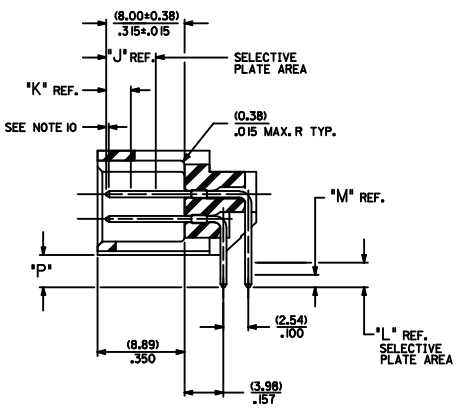
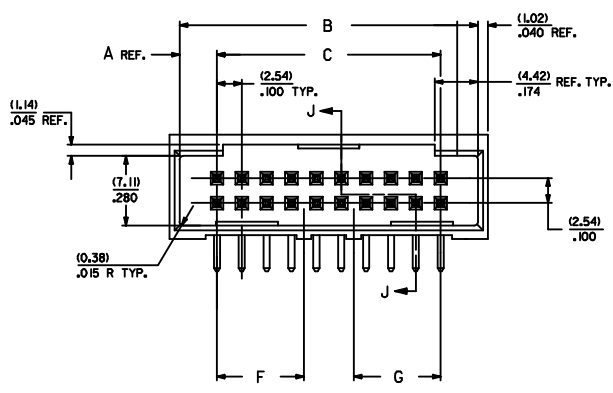
| ITEM NUMBER 74162 | P REF | PLATING FINISH | CONNECTOR END PLATING | | | PC BOARD END PLATING | | | INFORMATION PK-70873 | |
|----------------------|--------------|-------------------|-----------------------|--------------|--------------|----------------------|------|--------------|-------------------------|------------|
| | | | TYPE | J LENGTH | K MEAS. | R ± 0.38 .015 | TYPE | L LENGTH | | M MEAS. |
| -0006-0072 | 3.30 .130 | TIN | TIN | --- | 2.54 .100 | 8.00 .315 | --- | 1.27 .050 | 0019 | |
| -0106-0172 | 5.08 .200 | TIN | TIN | --- | 2.54 .100 | 8.00 .315 | --- | 1.27 .050 | 0019 | |
| -0206-0272 | 3.30 .130 | 15 GOLD | GOLD | 5.08 .200 | 2.54 .100 | 8.00 .315 | TIN | 2.54 .100 | 1.27 .050 | 0019 |
| -0306-0372 | 5.08 .200 | 15 GOLD | GOLD | 5.08 .200 | 2.54 .100 | 8.00 .315 | TIN | 2.54 .100 | 1.27 .050 | 0019 |
| -0406-0472 | 3.30 .130 | 30 GOLD | GOLD | 5.08 .200 | 2.54 .100 | 8.00 .315 | TIN | 2.54 .100 | 1.27 .050 | 0019 |
| -0506-0572 | 5.08 .200 | 30 GOLD | GOLD | 5.08 .200 | 2.54 .100 | 8.00 .315 | TIN | 2.54 .100 | 1.27 .050 | 0019 |
| -0606-0672 | 3.30 .130 | TIN | TIN | --- | 2.54 .100 | 6.35 .250 | TIN | --- | 1.27 .050 | 0019 |

| NO. OF CKTS | ITEM NUMBER | ITEM NUMBER | ITEM NUMBER | ITEM NUMBER | ITEM NUMBER | ITEM NUMBER | ITEM NUMBER |
|-------------|-------------|-------------|-------------|-------------|-------------|-------------|-------------|
| 6 | 74162-0006 | 74162-0106 | 74162-0206 | 74162-0306 | 74162-0406 | 74162-0506 | 74162-0606 |
| 8 | 74162-0008 | 74162-0108 | 74162-0208 | 74162-0308 | 74162-0408 | 74162-0508 | 74162-0608 |
| 10 | 74162-0010 | 74162-0110 | 74162-0210 | 74162-0310 | 74162-0410 | 74162-0510 | 74162-0610 |
| 12 | 74162-0012 | 74162-0112 | 74162-0212 | 74162-0312 | 74162-0412 | 74162-0512 | 74162-0612 |
| 14 | 74162-0014 | 74162-0114 | 74162-0214 | 74162-0314 | 74162-0414 | 74162-0514 | 74162-0614 |
| 16 | 74162-0016 | 74162-0116 | 74162-0216 | 74162-0316 | 74162-0416 | 74162-0516 | 74162-0616 |
| 18 | 74162-0018 | 74162-0118 | 74162-0218 | 74162-0318 | 74162-0418 | 74162-0518 | 74162-0618 |
| 20 | 74162-0020 | 74162-0120 | 74162-0220 | 74162-0320 | 74162-0420 | 74162-0520 | 74162-0620 |
| 22 | 74162-0022 | 74162-0122 | 74162-0222 | 74162-0322 | 74162-0422 | 74162-0522 | 74162-0622 |
| 24 | 74162-0024 | 74162-0124 | 74162-0224 | 74162-0324 | 74162-0424 | 74162-0524 | 74162-0624 |
| 26 | 74162-0026 | 74162-0126 | 74162-0226 | 74162-0326 | 74162-0426 | 74162-0526 | 74162-0626 |
| 28 | 74162-0028 | 74162-0128 | 74162-0228 | 74162-0328 | 74162-0428 | 74162-0528 | 74162-0628 |
| 30 | 74162-0030 | 74162-0130 | 74162-0230 | 74162-0330 | 74162-0430 | 74162-0530 | 74162-0630 |
| 32 | 74162-0032 | 74162-0132 | 74162-0232 | 74162-0332 | 74162-0432 | 74162-0532 | 74162-0632 |
| 34 | 74162-0034 | 74162-0134 | 74162-0234 | 74162-0334 | 74162-0434 | 74162-0534 | 74162-0634 |
| 36 | 74162-0036 | 74162-0136 | 74162-0236 | 74162-0336 | 74162-0436 | 74162-0536 | 74162-0636 |
| 38 | 74162-0038 | 74162-0138 | 74162-0238 | 74162-0338 | 74162-0438 | 74162-0538 | 74162-0638 |
| 40 | 74162-0040 | 74162-0140 | 74162-0240 | 74162-0340 | 74162-0440 | 74162-0540 | 74162-0640 |
| 42 | 74162-0042 | 74162-0142 | 74162-0242 | 74162-0342 | 74162-0442 | 74162-0542 | 74162-0642 |
| 44 | 74162-0044 | 74162-0144 | 74162-0244 | 74162-0344 | 74162-0444 | 74162-0544 | 74162-0644 |
| 46 | 74162-0046 | 74162-0146 | 74162-0246 | 74162-0346 | 74162-0446 | 74162-0546 | 74162-0646 |
| 48 | 74162-0048 | 74162-0148 | 74162-0248 | 74162-0348 | 74162-0448 | 74162-0548 | 74162-0648 |
| 50 | 74162-0050 | 74162-0150 | 74162-0250 | 74162-0350 | 74162-0450 | 74162-0550 | 74162-0650 |
| 52 | 74162-0052 | 74162-0152 | 74162-0252 | 74162-0352 | 74162-0452 | 74162-0552 | 74162-0652 |
| 54 | 74162-0054 | 74162-0154 | 74162-0254 | 74162-0354 | 74162-0454 | 74162-0554 | 74162-0654 |
| 56 | 74162-0056 | 74162-0156 | 74162-0256 | 74162-0356 | 74162-0456 | 74162-0556 | 74162-0656 |
| 58 | 74162-0058 | 74162-0158 | 74162-0258 | 74162-0358 | 74162-0458 | 74162-0558 | 74162-0658 |
| 60 | 74162-0060 | 74162-0160 | 74162-0260 | 74162-0360 | 74162-0460 | 74162-0560 | 74162-0660 |
| 62 | 74162-0062 | 74162-0162 | 74162-0262 | 74162-0362 | 74162-0462 | 74162-0562 | 74162-0662 |
| 64 | 74162-0064 | 74162-0164 | 74162-0264 | 74162-0364 | 74162-0464 | 74162-0564 | 74162-0664 |
| 66 | 74162-0066 | 74162-0166 | 74162-0266 | 74162-0366 | 74162-0466 | 74162-0566 | 74162-0666 |
| 68 | 74162-0068 | 74162-0168 | 74162-0268 | 74162-0368 | 74162-0468 | 74162-0568 | 74162-0668 |
| 70 | 74162-0070 | 74162-0170 | 74162-0270 | 74162-0370 | 74162-0470 | 74162-0570 | 74162-0670 |
| 72 | 74162-0072 | 74162-0172 | 74162-0272 | 74162-0372 | 74162-0472 | 74162-0572 | 74162-0672 |

| | | | | | | | | |
|---|-------------------------------|---|--|--|--|---|--------------|------------------------|
| INITIAL RELEASE EC NO. UCF2009-1776 DRAWN BY: 2009/03/27 CHKD BY: 2009/04/20 APPR: SMILLER 2009/04/21 | QUALITY SYMBOLS ▽=0 ▽=0 | GENERAL TOLERANCES (UNLESS SPECIFIED) | | DIMENSION STYLE MM/IN | | SCALE | DESIGN UNITS | THIRD ANGLE PROJECTION |
| | | mm INCH | | DRAWN BY DATE SMILLER 2009/03/27 | | INCH | INCH | ☉ |
| | | 4 PLACES ± --- ± --- 3 PLACES ± --- ± .010 2 PLACES ± 0.25 ± .014 1 PLACE ± 0.36 ± --- | | CHECKED BY DATE BBARKER 2009/03/27 | | | | |
| | | ANGULAR ±1/2° | | APPROVED BY DATE SMILLER 2009/03/27 | | MATERIAL NO. DOCUMENT NO. SEE TABLE SD-74162-001 | | |
| DRAFT WHERE APPLICABLE MUST REMAIN WITHIN DIMENSIONS | | SHEET NO. 2 OF 8 | | | | | | |
| THIS DRAWING CONTAINS INFORMATION THAT IS PROPRIETARY TO MOLEX INCORPORATED AND SHOULD NOT BE USED WITHOUT WRITTEN PERMISSION | | | | | | | | |

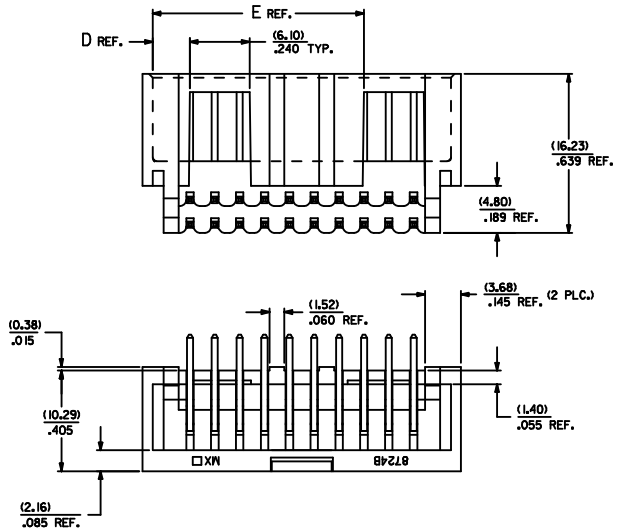


RECOMMENDED P.C. BOARD HOLE LAYOUT



SECTION J-J

- NOTES
1. MATERIAL: SHROUDED WAFER: GLASS FILLED, LIQUID CRYSTAL POLYMER, COLOR: BLACK, UL94V-0
PINS: PHOSPHOR BRONZE
 2. FINISH:
TIN - 3.81 MICROMETERS/150 MICRONS MINIMUM TIN PLATE OVER NICKEL UNDERPLATE OVERALL
15 GOLD - 0.38 MICROMETERS/15 MICRONS MINIMUM GOLD PLATE IN SELECT AREA
1.91 MICROMETERS/75 MICRONS MINIMUM TIN PLATE IN SELECT AREA OVER NICKEL UNDERPLATE OVERALL
30 GOLD - 0.76 MICROMETERS/30 MICRONS MINIMUM GOLD PLATE IN SELECT AREA
1.91 MICROMETERS/75 MICRONS MINIMUM TIN PLATE IN SELECT AREA OVER NICKEL UNDERPLATE OVERALL
 3. PRODUCT SPECIFICATION: PS-74162-0001
 4. PACKAGING INFORMATION: SEE CHARTS
 5. FOR CHARTED DIMENSIONS AND ASSEMBLY N.O.S NOT SHOWN ON THIS SHEET - SEE SHEET 4.
 6. WINDOW NOT AVAILABLE ON 6 CKT.
 7. 20 CIRCUIT SIZE SHOWN FOR ILLUSTRATION PURPOSES.
 8. PIN PUSHOUT FORCE: (17.79) N/4 LBS.
 9. PINS MUST MEET SOLDERABILITY SPEC. MIL-STD-202 METHOD 208B.
 10. ROW TO ROW PIN HEIGHT VARIATION MUST NOT EXCEED (0.25)/0.10 IN.
 11. THIS PART CONFORMS TO CLASS B REQUIREMENTS OF COSMETIC SPECIFICATION PS-45499-002.



| CKT. | DIM. 'A' | DIM. 'B' | DIM. 'C' | DIM. 'D' | DIM. 'E' | DIM. 'F' | DIM. 'G' | DIM. 'H' |
|------|-------------|---------------|---------------|---------------|--------------|----------|----------|---------------|
| 06 | (3.81) .150 | (12.70) .500 | (5.08) .200 | (3.81) .150 | | | | (10.46) .412 |
| 08 | (3.81) .150 | (15.24) .600 | (7.62) .300 | (3.81) .150 | | | | (13.00) .512 |
| 10 | (3.81) .150 | (17.78) .700 | (10.16) .400 | (6.35) .250 | | | | (15.54) .612 |
| 12 | (3.81) .150 | (20.32) .800 | (12.70) .500 | (6.35) .250 | | | | (18.08) .712 |
| 14 | (3.81) .150 | (22.86) .900 | (15.24) .600 | (8.89) .350 | | | | (20.62) .812 |
| 16 | (3.81) .150 | (25.40) 1.000 | (17.78) .700 | (8.89) .350 | | | | (23.16) .912 |
| 18 | (3.81) .150 | (27.94) 1.100 | (20.32) .800 | (11.43) .450 | | | | (25.70) 1.012 |
| 20 | (3.81) .150 | (30.48) 1.200 | (22.86) .900 | (13.97) .550 | | | | (28.24) 1.112 |
| 22 | (3.81) .150 | (33.02) 1.300 | (25.40) 1.000 | (16.51) .650 | | | | (30.78) 1.212 |
| 24 | (3.81) .150 | (35.56) 1.400 | (27.94) 1.100 | (19.05) .750 | (16.64) .655 | | | (33.32) 1.312 |
| 26 | (3.81) .150 | (38.10) 1.500 | (30.48) 1.200 | (21.59) .850 | (16.64) .655 | | | (35.86) 1.412 |
| 28 | (3.81) .150 | (40.64) 1.600 | (33.02) 1.300 | (24.13) .950 | (16.64) .655 | | | (38.40) 1.512 |
| 30 | (3.81) .150 | (43.18) 1.700 | (35.56) 1.400 | (26.67) 1.050 | (16.64) .655 | | | (40.94) 1.612 |
| 32 | (3.81) .150 | (45.72) 1.800 | (38.10) 1.500 | (29.21) 1.150 | (16.64) .655 | | | (43.48) 1.712 |
| 34 | (3.81) .150 | (48.26) 1.900 | (40.64) 1.600 | (31.75) 1.250 | (16.64) .655 | | | (46.02) 1.812 |
| 36 | (3.81) .150 | (50.80) 2.000 | (43.18) 1.700 | (34.29) 1.350 | (16.64) .655 | | | (48.56) 1.912 |
| 38 | (3.81) .150 | (53.34) 2.100 | (45.72) 1.800 | (36.83) 1.450 | (16.64) .655 | | | (51.10) 2.012 |
| 40 | (3.81) .150 | (55.88) 2.200 | (48.26) 1.900 | (39.37) 1.550 | (16.64) .655 | | | (53.64) 2.112 |
| 42 | (3.81) .150 | (58.42) 2.300 | (50.80) 2.000 | (41.91) 1.650 | (16.64) .655 | | | (56.18) 2.212 |
| 44 | (3.81) .150 | (60.96) 2.400 | (53.34) 2.100 | (44.45) 1.750 | (16.64) .655 | | | (58.72) 2.312 |
| 46 | (3.81) .150 | (63.50) 2.500 | (55.88) 2.200 | (46.99) 1.850 | (16.64) .655 | | | (61.26) 2.412 |
| 48 | (3.81) .150 | (66.04) 2.600 | (58.42) 2.300 | (49.53) 1.950 | (16.64) .655 | | | (63.80) 2.512 |
| 50 | (3.81) .150 | (68.58) 2.700 | (60.96) 2.400 | (52.07) 2.050 | (16.64) .655 | | | (66.34) 2.612 |
| 52 | (3.81) .150 | (71.12) 2.800 | (63.50) 2.500 | (54.61) 2.150 | (16.64) .655 | | | (68.88) 2.712 |
| 54 | (3.81) .150 | (73.66) 2.900 | (66.04) 2.600 | (57.15) 2.250 | (16.64) .655 | | | (71.42) 2.812 |
| 56 | (3.81) .150 | (76.20) 3.000 | (68.58) 2.700 | (59.69) 2.350 | (16.64) .655 | | | (73.96) 2.912 |
| 58 | (3.81) .150 | (78.74) 3.100 | (71.12) 2.800 | (62.23) 2.450 | (16.64) .655 | | | (76.50) 3.012 |
| 60 | (3.81) .150 | (81.28) 3.200 | (73.66) 2.900 | (64.77) 2.550 | (16.64) .655 | | | (79.04) 3.112 |
| 62 | (3.81) .150 | (83.82) 3.300 | (76.20) 3.000 | (67.31) 2.650 | (16.64) .655 | | | (81.58) 3.212 |
| 64 | (3.81) .150 | (86.36) 3.400 | (78.74) 3.100 | (69.85) 2.750 | (16.64) .655 | | | (84.12) 3.312 |
| 66 | (3.81) .150 | (88.90) 3.500 | (81.28) 3.200 | (72.39) 2.850 | (16.64) .655 | | | (86.66) 3.412 |
| 68 | (3.81) .150 | (91.44) 3.600 | (83.82) 3.300 | (74.93) 2.950 | (16.64) .655 | | | (89.20) 3.512 |
| 70 | (3.81) .150 | (93.98) 3.700 | (86.36) 3.400 | (77.47) 3.050 | (16.64) .655 | | | (91.74) 3.612 |
| 72 | (3.81) .150 | (96.52) 3.800 | (88.90) 3.500 | (80.01) 3.150 | (16.64) .655 | | | (94.28) 3.712 |

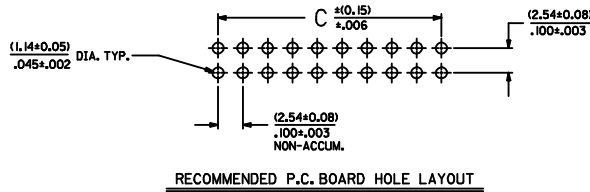
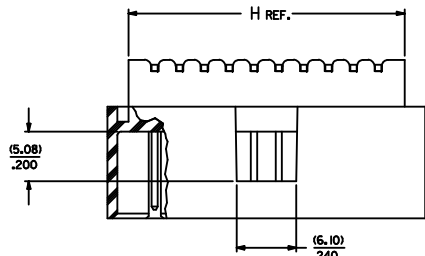
ASSEMBLY STYLES "C" & "D"

| | | | | | | |
|---|-------------------------------|---|-----------------|-------------------------|--------------|------------------------|
| INITIAL RELEASE EC NO. UCF2009-1776 DRAWN BY: BARRO CHYD/BARKER APPR: SMILLER 2009/03/27 2009/04/20 2009/04/21 | QUALITY SYMBOLS ◀=0 ▽=0 | GENERAL TOLERANCES (UNLESS SPECIFIED) | DIMENSION STYLE | SCALE | DESIGN UNITS | THIRD ANGLE PROJECTION |
| | | 4 PLACES ± mm | MM/IN | INCH | INCH | ☉ |
| | | 3 PLACES ± .010 | | | | |
| | | 2 PLACES ± 0.25 ± .014 | | | | |
| 1 PLACE ± 0.36 ± .014 | | | | | | |
| DRAWING DESCRIPTION | | DRAWN BY DATE | | TITLE | | |
| DRAWING DESCRIPTION | | SMILLER 2009/03/27 | | SALES ASSEMBLY | | |
| DRAWING DESCRIPTION | | CHECKED BY DATE | | WAFER-RIGHT ANGLE FULLY | | |
| DRAWING DESCRIPTION | | BBARKER 2009/03/27 | | SHROUDED .100 GRID | | |
| DRAWING DESCRIPTION | | APPROVED BY DATE | | MOLEX INCORPORATED | | |
| DRAWING DESCRIPTION | | SMILLER 2009/03/27 | | MATERIAL NO. | | SHEET NO. |
| DRAWING DESCRIPTION | | ANGULAR ±1/2° | | DOCUMENT NO. | | 3 OF 8 |
| DRAWING DESCRIPTION | | DRAFT WHERE APPLICABLE | | SEE TABLE | | |
| DRAWING DESCRIPTION | | MUST REMAIN WITHIN DIMENSIONS | | SD-74162-001 | | |
| DRAWING DESCRIPTION | | THIS DRAWING CONTAINS INFORMATION THAT IS PROPRIETARY TO MOLEX INCORPORATED AND SHOULD NOT BE USED WITHOUT WRITTEN PERMISSION | | | | |

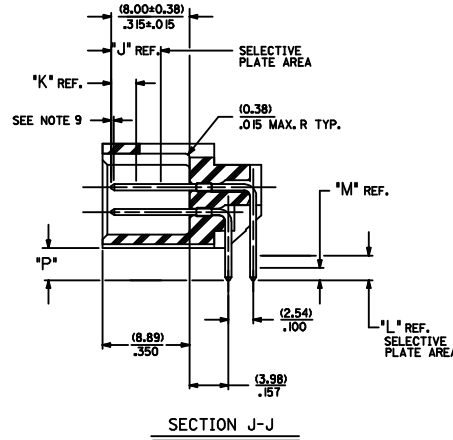
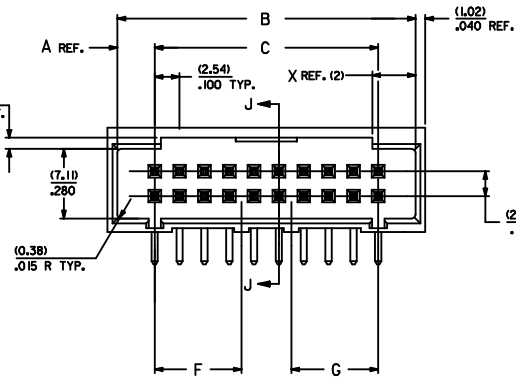
| ITEM NUMBER 74162 | P REF | PLATING FINISH | CONNECTOR END PLATING | | | PC BOARD END PLATING | | | INFORMATION PK-70873 | |
|----------------------|--------------|-------------------|-----------------------|--------------|--------------|----------------------|-------------|--------------|-------------------------|------|
| | | | TYPE | J LENGTH | K MEAS. | TYPE | L LENGTH | M MEAS. | | |
| -1006-1072 | 3.30 .130 | TIN | TIN | --- | 2.54 .100 | | TIN | --- | 1.27 .050 | 0019 |
| -1106-1172 | 5.08 .200 | TIN | TIN | --- | 2.54 .100 | | TIN | --- | 1.27 .050 | 0019 |
| -1206-1272 | 3.30 .130 | 15 GOLD | GOLD | 5.08 .200 | 2.54 .100 | | TIN | 2.54 .100 | 1.27 .050 | 0019 |
| -1306-1372 | 5.08 .200 | 15 GOLD | GOLD | 5.08 .200 | 2.54 .100 | | TIN | 2.54 .100 | 1.27 .050 | 0019 |
| -1406-1472 | 3.30 .130 | 30 GOLD | GOLD | 5.08 .200 | 2.54 .100 | | TIN | 2.54 .100 | 1.27 .050 | 0019 |
| -1506-1572 | 5.08 .200 | 30 GOLD | GOLD | 5.08 .200 | 2.54 .100 | | TIN | 2.54 .100 | 1.27 .050 | 0019 |

| NO. OF CKTS | ITEM NUMBER | ITEM NUMBER | ITEM NUMBER | ITEM NUMBER | ITEM NUMBER | ITEM NUMBER | ITEM NUMBER |
|-------------|-------------|-------------|-------------|-------------|-------------|-------------|-------------|
| 6 | 74162-1006 | 74162-1106 | 74162-1206 | 74162-1306 | 74162-1406 | 74162-1506 | |
| 8 | 74162-1008 | 74162-1108 | 74162-1208 | 74162-1308 | 74162-1408 | 74162-1508 | |
| 10 | 74162-1010 | 74162-1110 | 74162-1210 | 74162-1310 | 74162-1410 | 74162-1510 | |
| 12 | 74162-1012 | 74162-1112 | 74162-1212 | 74162-1312 | 74162-1412 | 74162-1512 | |
| 14 | 74162-1014 | 74162-1114 | 74162-1214 | 74162-1314 | 74162-1414 | 74162-1514 | |
| 16 | 74162-1016 | 74162-1116 | 74162-1216 | 74162-1316 | 74162-1416 | 74162-1516 | |
| 18 | 74162-1018 | 74162-1118 | 74162-1218 | 74162-1318 | 74162-1418 | 74162-1518 | |
| 20 | 74162-1020 | 74162-1120 | 74162-1220 | 74162-1320 | 74162-1420 | 74162-1520 | |
| 22 | 74162-1022 | 74162-1122 | 74162-1222 | 74162-1322 | 74162-1422 | 74162-1522 | |
| 24 | 74162-1024 | 74162-1124 | 74162-1224 | 74162-1324 | 74162-1424 | 74162-1524 | |
| 26 | 74162-1026 | 74162-1126 | 74162-1226 | 74162-1326 | 74162-1426 | 74162-1526 | |
| 28 | 74162-1028 | 74162-1128 | 74162-1228 | 74162-1328 | 74162-1428 | 74162-1528 | |
| 30 | 74162-1030 | 74162-1130 | 74162-1230 | 74162-1330 | 74162-1430 | 74162-1530 | |
| 32 | 74162-1032 | 74162-1132 | 74162-1232 | 74162-1332 | 74162-1432 | 74162-1532 | |
| 34 | 74162-1034 | 74162-1134 | 74162-1234 | 74162-1334 | 74162-1434 | 74162-1534 | |
| 36 | 74162-1036 | 74162-1136 | 74162-1236 | 74162-1336 | 74162-1436 | 74162-1536 | |
| 38 | 74162-1038 | 74162-1138 | 74162-1238 | 74162-1338 | 74162-1438 | 74162-1538 | |
| 40 | 74162-1040 | 74162-1140 | 74162-1240 | 74162-1340 | 74162-1440 | 74162-1540 | |
| 42 | 74162-1042 | 74162-1142 | 74162-1242 | 74162-1342 | 74162-1442 | 74162-1542 | |
| 44 | 74162-1044 | 74162-1144 | 74162-1244 | 74162-1344 | 74162-1444 | 74162-1544 | |
| 46 | 74162-1046 | 74162-1146 | 74162-1246 | 74162-1346 | 74162-1446 | 74162-1546 | |
| 48 | 74162-1048 | 74162-1148 | 74162-1248 | 74162-1348 | 74162-1448 | 74162-1548 | |
| 50 | 74162-1050 | 74162-1150 | 74162-1250 | 74162-1350 | 74162-1450 | 74162-1550 | |
| 52 | 74162-1052 | 74162-1152 | 74162-1252 | 74162-1352 | 74162-1452 | 74162-1552 | |
| 54 | 74162-1054 | 74162-1154 | 74162-1254 | 74162-1354 | 74162-1454 | 74162-1554 | |
| 56 | 74162-1056 | 74162-1156 | 74162-1256 | 74162-1356 | 74162-1456 | 74162-1556 | |
| 58 | 74162-1058 | 74162-1158 | 74162-1258 | 74162-1358 | 74162-1458 | 74162-1558 | |
| 60 | 74162-1060 | 74162-1160 | 74162-1260 | 74162-1360 | 74162-1460 | 74162-1560 | |
| 62 | 74162-1062 | 74162-1162 | 74162-1262 | 74162-1362 | 74162-1462 | 74162-1562 | |
| 64 | 74162-1064 | 74162-1164 | 74162-1264 | 74162-1364 | 74162-1464 | 74162-1564 | |
| 66 | 74162-1066 | 74162-1166 | 74162-1266 | 74162-1366 | 74162-1466 | 74162-1566 | |
| 68 | 74162-1068 | 74162-1168 | 74162-1268 | 74162-1368 | 74162-1468 | 74162-1568 | |
| 70 | 74162-1070 | 74162-1170 | 74162-1270 | 74162-1370 | 74162-1470 | 74162-1570 | |
| 72 | 74162-1072 | 74162-1172 | 74162-1272 | 74162-1372 | 74162-1472 | 74162-1572 | |

| | | | | | | | | | |
|--|--------------------------------------|---|--|---|--|----------|--------------|---|--|
| INITIAL RELEASE EC NO. UCF2009-1776 2009/03/27 DRAWN BY BARBA 2009/04/20 CHKD BY BARKER APPR: SMILLER 2009/04/21 | QUALITY SYMBOLS ▽=0 ▽=0 | GENERAL TOLERANCES (UNLESS SPECIFIED) | | DIMENSION STYLE MM/IN | | SCALE | DESIGN UNITS | THIRD ANGLE PROJECTION | |
| | | 4 PLACES ±.010 ±.010 3 PLACES ±.025 ±.014 2 PLACES ±.036 ±.014 1 PLACE ±.036 ±.014 | | mm INCH | | DRAWN BY | DATE | TITLE | |
| | | ANGULAR ±1/2° | | DRAFT WHERE APPLICABLE MUST REMAIN WITHIN DIMENSIONS | | SMILLER | 2009/03/27 | SALES ASSEMBLY WAFER-RIGHT ANGLE FULLY SHROUDED .100 GRID | |
| | | MATERIAL NO. SEE TABLE | | DOCUMENT NO. SD-74162-001 | | SMILLER | 2009/03/27 | MOLEX INCORPORATED | |

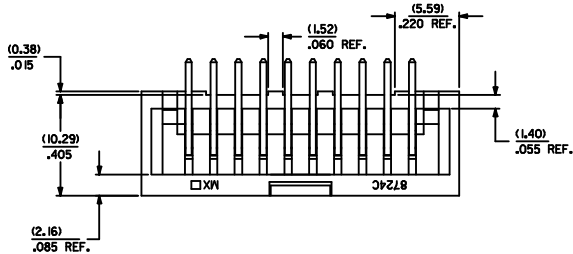
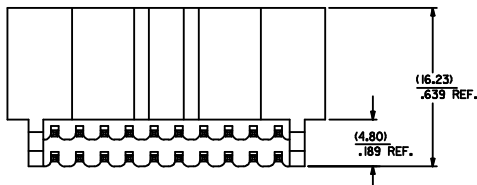


RECOMMENDED P.C. BOARD HOLE LAYOUT



SECTION J-J

- NOTES
1. MATERIAL: SHROUDED WAFER: GLASS FILLED, LIQUID CRYSTAL POLYMER, COLOR: BLACK, UL94V-0
PINS: PHOSPHOR BRONZE
 2. FINISH:
TIN - 3.81 MICROMETERS/150 MICRONS MINIMUM TIN PLATE OVER NICKEL UNDERPLATE OVERALL
15 GOLD - 0.38 MICROMETERS/15 MICRONS MINIMUM GOLD PLATE IN SELECT AREA
1.91 MICROMETERS/75 MICRONS MINIMUM TIN PLATE IN SELECT AREA OVER NICKEL UNDERPLATE OVERALL
30 GOLD - 0.76 MICROMETERS/30 MICRONS MINIMUM GOLD PLATE IN SELECT AREA
1.91 MICROMETERS/75 MICRONS MINIMUM TIN PLATE IN SELECT AREA OVER NICKEL UNDERPLATE OVERALL
 3. PRODUCT SPECIFICATION: PS-74162-0001
 4. PACKAGING INFORMATION: SEE CHARTS
 5. FOR CHARTED DIMENSIONS AND ASSEMBLY N.O.S NOT SHOWN ON THIS SHEET - SEE SHEET 6.
 6. 20 CIRCUIT SIZE SHOWN FOR ILLUSTRATION PURPOSES.
 7. PIN PUSH-OUT FORCE: (17.79) N/4 LBS.
 8. PINS MUST MEET SOLDERABILITY SPEC. MIL-STD-202 METHOD 208B.
 9. ROW TO ROW PIN HEIGHT VARIATION MUST NOT EXCEED (0.25)/0.010 IN.
 10. THIS PART CONFORMS TO CLASS B REQUIREMENTS OF COSMETIC SPECIFICATION PS-45499-002.



| CKT. | DIM. 'A' | DIM. 'B' | DIM. 'C' | DIM. 'F' | DIM. 'G' | DIM. 'H' | DIM. 'X' |
|------|-------------|---------------|---------------|---------------|---------------|---------------|-------------|
| 06 | (3.81) .150 | (12.70) .500 | (5.08) .200 | | | (10.46) .412 | (3.30) .130 |
| 08 | (3.81) .150 | (15.24) .600 | (7.62) .300 | | | (13.00) .512 | (3.30) .130 |
| 10 | (3.81) .150 | (17.78) .700 | (10.16) .400 | | | (15.54) .612 | (4.42) .174 |
| 12 | (3.81) .150 | (20.32) .800 | (12.70) .500 | | | (18.08) .712 | (4.42) .174 |
| 14 | (3.81) .150 | (22.86) .900 | (15.24) .600 | | | (20.62) .812 | (4.42) .174 |
| 16 | (3.81) .150 | (25.40) 1.000 | (17.78) .700 | | | (23.16) .912 | (4.42) .174 |
| 18 | (3.81) .150 | (27.94) 1.100 | (20.32) .800 | | | (25.70) 1.012 | (4.42) .174 |
| 20 | (3.81) .150 | (30.48) 1.200 | (22.86) .900 | | | (28.24) 1.112 | (4.42) .174 |
| 22 | (3.81) .150 | (33.02) 1.300 | (25.40) 1.000 | | | (30.78) 1.212 | (4.42) .174 |
| 24 | (3.81) .150 | (35.56) 1.400 | (27.94) 1.100 | (16.64) .655 | | (33.32) 1.312 | (4.42) .174 |
| 26 | (3.81) .150 | (38.10) 1.500 | (30.48) 1.200 | (16.64) .655 | | (35.86) 1.412 | (4.42) .174 |
| 28 | (3.81) .150 | (40.64) 1.600 | (33.02) 1.300 | (16.64) .655 | | (38.40) 1.512 | (4.42) .174 |
| 30 | (3.81) .150 | (43.18) 1.700 | (35.56) 1.400 | (16.64) .655 | | (40.94) 1.612 | (4.42) .174 |
| 32 | (3.81) .150 | (45.72) 1.800 | (38.10) 1.500 | (16.64) .655 | | (43.48) 1.712 | (4.42) .174 |
| 34 | (3.81) .150 | (48.26) 1.900 | (40.64) 1.600 | (16.64) .655 | (16.76) .660 | (46.02) 1.812 | (4.42) .174 |
| 36 | (3.81) .150 | (50.80) 2.000 | (43.18) 1.700 | (16.64) .655 | (16.76) .660 | (48.56) 1.912 | (4.42) .174 |
| 38 | (3.81) .150 | (53.34) 2.100 | (45.72) 1.800 | (16.64) .655 | (16.76) .660 | (51.10) 2.012 | (4.42) .174 |
| 40 | (3.81) .150 | (55.88) 2.200 | (48.26) 1.900 | (16.64) .655 | (16.76) .660 | (53.64) 2.112 | (4.42) .174 |
| 42 | (3.81) .150 | (58.42) 2.300 | (50.80) 2.000 | (16.64) .655 | (16.76) .660 | (56.18) 2.212 | (4.42) .174 |
| 44 | (3.81) .150 | (60.96) 2.400 | (53.34) 2.100 | (19.05) .750 | (16.76) .660 | (58.72) 2.312 | (4.42) .174 |
| 46 | (3.81) .150 | (63.50) 2.500 | (55.88) 2.200 | (19.05) .750 | (16.76) .660 | (61.26) 2.412 | (4.42) .174 |
| 48 | (3.81) .150 | (66.04) 2.600 | (58.42) 2.300 | (19.05) .750 | (16.76) .660 | (63.80) 2.512 | (4.42) .174 |
| 50 | (3.81) .150 | (68.58) 2.700 | (60.96) 2.400 | (19.05) .750 | (16.76) .660 | (66.34) 2.612 | (4.42) .174 |
| 52 | (3.81) .150 | (71.12) 2.800 | (63.50) 2.500 | (19.05) .750 | (16.76) .660 | (68.88) 2.712 | (4.42) .174 |
| 54 | (3.81) .150 | (73.66) 2.900 | (66.04) 2.600 | (21.59) .850 | (21.84) .860 | (71.42) 2.812 | (4.42) .174 |
| 56 | (3.81) .150 | (76.20) 3.000 | (68.58) 2.700 | (21.59) .850 | (21.84) .860 | (73.96) 2.912 | (4.42) .174 |
| 58 | (3.81) .150 | (78.74) 3.100 | (71.12) 2.800 | (27.81) 1.095 | (26.32) 1.060 | (76.50) 3.012 | (4.42) .174 |
| 60 | (3.81) .150 | (81.28) 3.200 | (73.66) 2.900 | (27.81) 1.095 | (26.32) 1.060 | (79.04) 3.112 | (4.42) .174 |
| 62 | (3.81) .150 | (83.82) 3.300 | (76.20) 3.000 | (27.81) 1.095 | (26.32) 1.060 | (81.58) 3.212 | (4.42) .174 |
| 64 | (3.81) .150 | (86.36) 3.400 | (78.74) 3.100 | (27.81) 1.095 | (26.32) 1.060 | (84.12) 3.312 | (4.42) .174 |
| 66 | (3.81) .150 | (88.90) 3.500 | (81.28) 3.200 | (27.81) 1.095 | (26.32) 1.060 | (86.66) 3.412 | (4.42) .174 |
| 68 | (3.81) .150 | (91.44) 3.600 | (83.82) 3.300 | (27.81) 1.095 | (26.32) 1.060 | (89.20) 3.512 | (4.42) .174 |
| 70 | (3.81) .150 | (93.98) 3.700 | (86.36) 3.400 | (27.81) 1.095 | (26.32) 1.060 | (91.74) 3.612 | (4.42) .174 |
| 72 | (3.81) .150 | (96.52) 3.800 | (88.90) 3.500 | (27.81) 1.095 | (26.32) 1.060 | (94.28) 3.712 | (4.42) .174 |

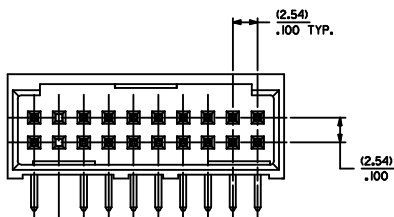
| | | | | | | | |
|--|---|--|-----------------|--------------|--------------|--|----------------------|
| INITIAL RELEASE EC NO: UCP2009-1776 DRWN:SBARRA 2009/03/27 CHKD:BBARKER 2009/04/20 APPR:SMILLER 2009/04/21 | QUALITY SYMBOLS | GENERAL TOLERANCES (UNLESS SPECIFIED) | DIMENSION STYLE | SCALE | DESIGN UNITS | THIRD ANGLE PROJECTION | |
| | ▽=0 ▽=0 | mm INCH 4 PLACES ± --- ± --- 3 PLACES ± --- ± .010 2 PLACES ± 0.25 ± .014 1 PLACE ± 0.36 ± --- ANGULAR ±1/2° | MM/IN | DATE | INCH | SMILLER 2009/03/27 BBARKER 2009/03/27 SMILLER 2009/03/27 | DATE DATE DATE |
| | DRAFT WHERE APPLICABLE MUST REMAIN WITHIN DIMENSIONS | SEE TABLE | MATERIAL NO. | DOCUMENT NO. | | SHEET NO. | |
| | THIS DRAWING CONTAINS INFORMATION THAT IS PROPRIETARY TO MOLEX INCORPORATED AND SHOULD NOT BE USED WITHOUT WRITTEN PERMISSION | | SD-74162-001 | SD-74162-001 | | 5 OF 8 | |

| ITEM NUMBER 74162 | P REF | PLATING FINISH | CONNECTOR END PLATING | | | PC BOARD END PLATING | | | INFORMATION PK-70873 |
|----------------------|--------------|-------------------|-----------------------|--------------|--------------|----------------------|--------------|--------------|-------------------------|
| | | | TYPE | J LENGTH | K MEAS. | TYPE | L LENGTH | M MEAS. | |
| -2006-2072 | 3.30 .130 | TIN | TIN | --- | 2.54 .100 | TIN | --- | 1.27 .050 | 0019 |
| -2106-2172 | 5.08 .200 | TIN | TIN | --- | 2.54 .100 | TIN | --- | 1.27 .050 | 0019 |
| -2206-2272 | 3.30 .130 | 15 GOLD | GOLD | 5.08 .200 | 2.54 .100 | TIN | 2.54 .100 | 1.27 .050 | 0019 |
| -2306-2372 | 5.08 .200 | 15 GOLD | GOLD | 5.08 .200 | 2.54 .100 | TIN | 2.54 .100 | 1.27 .050 | 0019 |
| -2406-2472 | 3.30 .130 | 30 GOLD | GOLD | 5.08 .200 | 2.54 .100 | TIN | 2.54 .100 | 1.27 .050 | 0019 |
| -2506-2572 | 5.08 .200 | 30 GOLD | GOLD | 5.08 .200 | 2.54 .100 | TIN | 2.54 .100 | 1.27 .050 | 0019 |

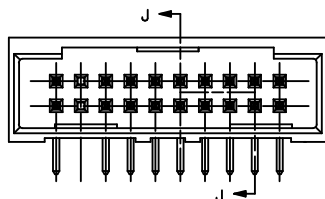
| NO. OF CKTS | ITEM NUMBER | ITEM NUMBER | ITEM NUMBER | ITEM NUMBER | ITEM NUMBER | ITEM NUMBER | ITEM NUMBER |
|-------------|-------------|-------------|-------------|-------------|-------------|-------------|-------------|
| 6 | 74162-2006 | 74162-2106 | 74162-2206 | 74162-2306 | 74162-2406 | 74162-2506 | |
| 8 | 74162-2008 | 74162-2108 | 74162-2208 | 74162-2308 | 74162-2408 | 74162-2508 | |
| 10 | 74162-2010 | 74162-2110 | 74162-2210 | 74162-2310 | 74162-2410 | 74162-2510 | |
| 12 | 74162-2012 | 74162-2112 | 74162-2212 | 74162-2312 | 74162-2412 | 74162-2512 | |
| 14 | 74162-2014 | 74162-2114 | 74162-2214 | 74162-2314 | 74162-2414 | 74162-2514 | |
| 16 | 74162-2016 | 74162-2116 | 74162-2216 | 74162-2316 | 74162-2416 | 74162-2516 | |
| 18 | 74162-2018 | 74162-2118 | 74162-2218 | 74162-2318 | 74162-2418 | 74162-2518 | |
| 20 | 74162-2020 | 74162-2120 | 74162-2220 | 74162-2320 | 74162-2420 | 74162-2520 | |
| 22 | 74162-2022 | 74162-2122 | 74162-2222 | 74162-2322 | 74162-2422 | 74162-2522 | |
| 24 | 74162-2024 | 74162-2124 | 74162-2224 | 74162-2324 | 74162-2424 | 74162-2524 | |
| 26 | 74162-2026 | 74162-2126 | 74162-2226 | 74162-2326 | 74162-2426 | 74162-2526 | |
| 28 | 74162-2028 | 74162-2128 | 74162-2228 | 74162-2328 | 74162-2428 | 74162-2528 | |
| 30 | 74162-2030 | 74162-2130 | 74162-2230 | 74162-2330 | 74162-2430 | 74162-2530 | |
| 32 | 74162-2032 | 74162-2132 | 74162-2232 | 74162-2332 | 74162-2432 | 74162-2532 | |
| 34 | 74162-2034 | 74162-2134 | 74162-2234 | 74162-2334 | 74162-2434 | 74162-2534 | |
| 36 | 74162-2036 | 74162-2136 | 74162-2236 | 74162-2336 | 74162-2436 | 74162-2536 | |
| 38 | 74162-2038 | 74162-2138 | 74162-2238 | 74162-2338 | 74162-2438 | 74162-2538 | |
| 40 | 74162-2040 | 74162-2140 | 74162-2240 | 74162-2340 | 74162-2440 | 74162-2540 | |
| 42 | 74162-2042 | 74162-2142 | 74162-2242 | 74162-2342 | 74162-2442 | 74162-2542 | |
| 44 | 74162-2044 | 74162-2144 | 74162-2244 | 74162-2344 | 74162-2444 | 74162-2544 | |
| 46 | 74162-2046 | 74162-2146 | 74162-2246 | 74162-2346 | 74162-2446 | 74162-2546 | |
| 48 | 74162-2048 | 74162-2148 | 74162-2248 | 74162-2348 | 74162-2448 | 74162-2548 | |
| 50 | 74162-2050 | 74162-2150 | 74162-2250 | 74162-2350 | 74162-2450 | 74162-2550 | |
| 52 | 74162-2052 | 74162-2152 | 74162-2252 | 74162-2352 | 74162-2452 | 74162-2552 | |
| 54 | 74162-2054 | 74162-2154 | 74162-2254 | 74162-2354 | 74162-2454 | 74162-2554 | |
| 56 | 74162-2056 | 74162-2156 | 74162-2256 | 74162-2356 | 74162-2456 | 74162-2556 | |
| 58 | 74162-2058 | 74162-2158 | 74162-2258 | 74162-2358 | 74162-2458 | 74162-2558 | |
| 60 | 74162-2060 | 74162-2160 | 74162-2260 | 74162-2360 | 74162-2460 | 74162-2560 | |
| 62 | 74162-2062 | 74162-2162 | 74162-2262 | 74162-2362 | 74162-2462 | 74162-2562 | |
| 64 | 74162-2064 | 74162-2164 | 74162-2264 | 74162-2364 | 74162-2464 | 74162-2564 | |
| 66 | 74162-2066 | 74162-2166 | 74162-2266 | 74162-2366 | 74162-2466 | 74162-2566 | |
| 68 | 74162-2068 | 74162-2168 | 74162-2268 | 74162-2368 | 74162-2468 | 74162-2568 | |
| 70 | 74162-2070 | 74162-2170 | 74162-2270 | 74162-2370 | 74162-2470 | 74162-2570 | |
| 72 | 74162-2072 | 74162-2172 | 74162-2272 | 74162-2372 | 74162-2472 | 74162-2572 | |

| | | | | | | |
|---|--|---|-----------------|-------------------------|------------------|-------------------------------|
| INITIAL RELEASE EC NO. UCF2009-1776 2009/03/27 DRAWN BY BARBA 2009/04/20 CHKD BY BARKER APPR. BY MILLER 2009/04/21 REV DESCRIPTION | QUALITY SYMBOLS | GENERAL TOLERANCES (UNLESS SPECIFIED) | DIMENSION STYLE | SCALE | DESIGN UNITS | THIRD ANGLE PROJECTION |
| | ▽=0 ▽=0 | mm INCH | MM/IN | DATE | INCH | ☉ □ THIRD ANGLE PROJECTION |
| | | 4 PLACES ± --- ± --- | DRAWN BY | DATE | TITLE | |
| | | 3 PLACES ± --- ± .010 | SMILLER | 2009/03/27 | SALES ASSEMBLY | |
| | 2 PLACES ± 0.25 ± .014 | CHECKED BY | DATE | WAVER-RIGHT ANGLE FULLY | | |
| | 1 PLACE ± 0.36 ± --- | BARKER | 2009/03/27 | SHROUDED .100 GRID | | |
| | ANGULAR ±1/2° | APPROVED BY | DATE | MOLEX INCORPORATED | | |
| | DRAFT WHERE APPLICABLE MUST REMAIN WITHIN DIMENSIONS | SMILLER | 2009/03/27 | MOLEX INCORPORATED | | |
| | | MATERIAL NO. | DOCUMENT NO. | SD-74162-001 | | |
| | | SEE TABLE | | | SHEET NO. 6 OF 8 | |
| | | THIS DRAWING CONTAINS INFORMATION THAT IS PROPRIETARY TO MOLEX INCORPORATED AND SHOULD NOT BE USED WITHOUT WRITTEN PERMISSION | | | | |

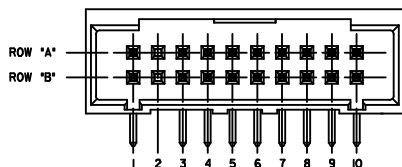
STYLE "A"



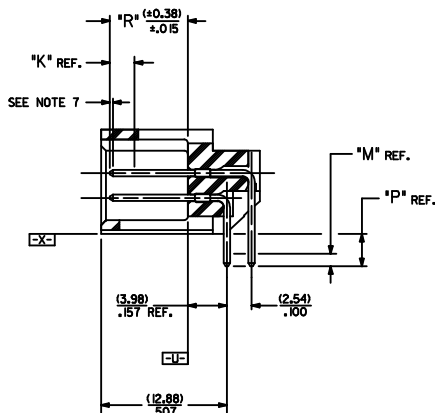
STYLE "B"



STYLE "C"



USE FOR LOCATING VOIDED PINS ON ALL STYLES
 LETTERS AND NUMBERS ARE NOT DESIGNATED ON WAFER HOUSING
 (SEE NOTE 10 AND CHART ON SHEET 8)



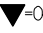
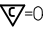

SECTION J-J

NOTES

- MATERIAL: SHROUDED WAFER: GLASS FILLED, LIQUID CRYSTAL POLYMER, COLOR: BLACK, UL94V-0
PINS: PHOSPHOR BRONZE
- FINISH:
TIN - 3.81 MICROMETERS/150 MICRONCHES MINIMUM TIN PLATE OVER NICKEL UNDERPLATE OVERALL
15 GOLD - 0.38 MICROMETERS/15 MICRONCHES MINIMUM GOLD PLATE IN SELECT AREA OVER NICKEL UNDERPLATE OVERALL
30 GOLD - 0.76 MICROMETERS/30 MICRONCHES MINIMUM GOLD PLATE IN SELECT AREA OVER NICKEL UNDERPLATE OVERALL
- PRODUCT SPECIFICATION: PS-74162-0001
- PACKAGING INFORMATION: SEE CHARTS
- PINS MUST MEET SOLDERABILITY SPEC. MIL-STD-202 METHOD 208B.
- PIN PUSHOUT FORCE: (17.79 N) ¼ LBS.
- ROW TO ROW PIN HEIGHT VARIATION MUST NOT EXCEED (0.25) / 0.10 IN.
- 20 CIRCUIT SIZE WITH PINS VOIDED IN LOCATIONS A-2 AND B-2 SHOWN FOR ILLUSTRATION PURPOSES.
- FOR VARIABLE DIMENSIONS, CIRCUIT SIZE, WAFER STYLE AND ASSEMBLY NUMBER - SEE SHEET 8.
- FOR VOIDED PIN LOCATIONS SEE STYLE 'C' AND CHART ON SHEET 8.
- FOR DIMENSIONS NOT SHOWN, FIRST: DETERMINE THE SHROUDED WAFER STYLE FROM CHART ON SHEET 8, SECOND: USING WAFER STYLE, LOCATE THE CORRESPONDING SHEET WITH NON-VOIDED ASSEMBLIES AND DIMENSIONS FOR ALL CIRCUIT SIZES.
- THIS PART CONFORMS TO CLASS B REQUIREMENTS OF COSMETIC SPECIFICATION PS-45499-002.

| | | | | | | | | |
|---|-------------------------------|---------------------------------------|--------------------|------------------------------|------|---------------------|---|------------------------|
| INITIAL RELEASE EC NO: UCP2009-1776 DRWINNS/BARRA 2009/03/27 CHYKOBARKER 2009/04/20 APPRS:SMILLER 2009/04/21 | QUALITY SYMBOLS ▽=0 ▽=0 | GENERAL TOLERANCES (UNLESS SPECIFIED) | | DIMENSION STYLE MM/IN | | SCALE | DESIGN UNITS | THIRD ANGLE PROJECTION |
| | | mm | INCH | DRAWN BY | DATE | TITLE | SALES ASSEMBLY WAFER-RIGHT ANGLE FULLY SHROUDED .100 GRID | MOLEX INCORPORATED |
| | | 4 PLACES ±--- ±--- | SMILLER 2009/03/27 | 2009/03/27 | | | | |
| | | 3 PLACES ±--- ±.010 | CHECKED BY | DATE | | | | |
| 2 PLACES ±0.25 ±.014 | BBARKER 2009/03/27 | | | | | | | |
| 1 PLACE ±0.36 ±--- | APPROVED BY | DATE | | | | | | |
| ANGULAR ±1/2° | SMILLER 2009/03/27 | | | | | | | |
| DRAFT WHERE APPLICABLE MUST REMAIN WITHIN DIMENSIONS | | MATERIAL NO. SEE TABLE | | DOCUMENT NO. SD-74162-001 | | SHEET NO. 7 OF 8 | | |
| THIS DRAWING CONTAINS INFORMATION THAT IS PROPRIETARY TO MOLEX INCORPORATED AND SHOULD NOT BE USED WITHOUT WRITTEN PERMISSION | | | | | | | | |

| ITEM NUMBER 74162 | SHROUDED WAFER STYLE SEE SHEET 7 | CKT SIZE | R ± 0.38 .015 | P REF | PLATING FINISH | CONNECTOR END PLATING | | | PC BOARD END PLATING | | | VOIDED PIN LOCATION(S) (SEE NOTE 3 ON SHEET 7) | | INFORMATION PK-70873 |
|----------------------|---|-------------|---------------------|--------------|-------------------|-----------------------|--|--------------|----------------------|--|--------------|---|----------|-------------------------|
| | | | | | | TYPE | | K MEAS. | TYPE | | M MEAS. | ROW | POSITION | |
| 74162-3001 | B | 14 | 8.00 .315 | 3.30 .130 | TIN | TIN | | 2.54 .100 | TIN | | 1.27 .050 | A | 1 | 0019 |
| 74162-3002 | A | 16 | 8.00 .315 | 5.08 .200 | TIN | TIN | | 2.54 .100 | TIN | | 1.27 .050 | A | 8 | 0019 |
| 74612-3003 | A | 30 | 8.00 .315 | 3.30 .130 | 15 GOLD | GOLD | | 2.54 .100 | TIN | | 1.27 .050 | A | 4 | 0019 |
| X | X | | 8.00 .315 | 5.08 .200 | 15 GOLD | GOLD | | 2.54 .100 | TIN | | 1.27 .050 | | | |
| X | X | | 8.00 .315 | 3.30 .130 | 30 GOLD | GOLD | | 2.54 .100 | TIN | | 1.27 .050 | | | |
| X | X | | 8.00 .315 | 5.08 .200 | 30 GOLD | GOLD | | 2.54 .100 | TIN | | 1.27 .050 | | | |
| X | X | | 6.35 .250 | 3.30 .130 | TIN | TIN | | 2.54 .100 | TIN | | 1.27 .050 | | | |

| | | | | | | | | | |
|---|--|---|--|----------------------------------|------------------------------|---|--|--|--|
| INITIAL RELEASE IEC NO: UICP2009-1776 DRAWN BY: BARRA 2009/03/27 CHYKOBARKER 2009/04/20 APPR: SMILLER 2009/04/21 | QUALITY SYMBOLS  = 0  = 0 | GENERAL TOLERANCES (UNLESS SPECIFIED) | | DIMENSION STYLE MM/IN | SCALE INCH | DESIGN UNITS INCH |  THIRD ANGLE PROJECTION | | |
| | | 4 PLACES ± .010 ± .010 3 PLACES ± .025 ± .014 2 PLACES ± 0.36 ± .014 1 PLACE ± 0.36 ± .014 | mm INCH | DRAWN BY SMILLER | DATE 2009/03/27 | TITLE SALES ASSEMBLY WAFER-RIGHT ANGLE FULLY SHROUDED .100 GRID | | | |
| | | ANGULAR ± 1/2° | DRAFT WHERE APPLICABLE MUST REMAIN WITHIN DIMENSIONS | CHECKED BY BBARKER | DATE 2009/03/27 | MOLEX INCORPORATED | | | |
| | | APPROVED BY SMILLER | DATE 2009/03/27 | MATERIAL NO. SEE TABLE | DOCUMENT NO. SD-74162-001 | SHEET NO. 8 OF 8 | THIS DRAWING CONTAINS INFORMATION THAT IS PROPRIETARY TO MOLEX INCORPORATED AND SHOULD NOT BE USED WITHOUT WRITTEN PERMISSION | | |