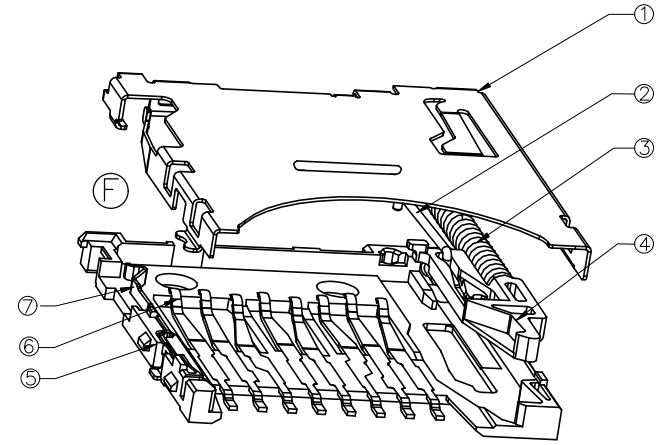
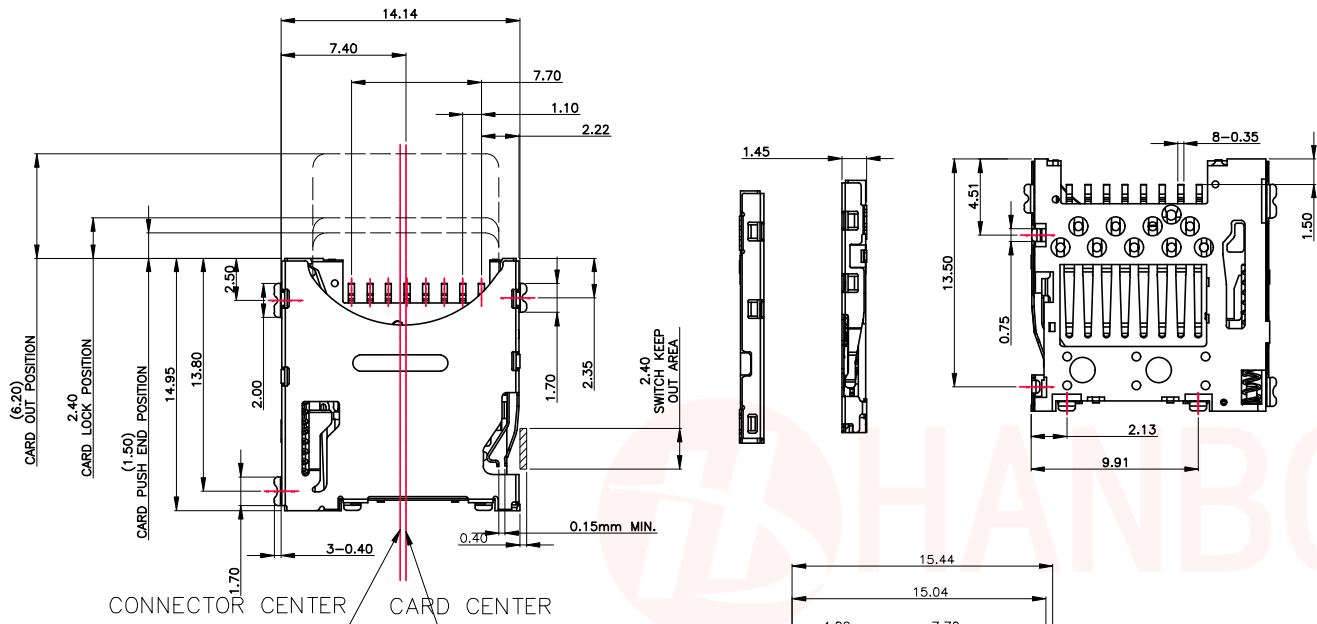


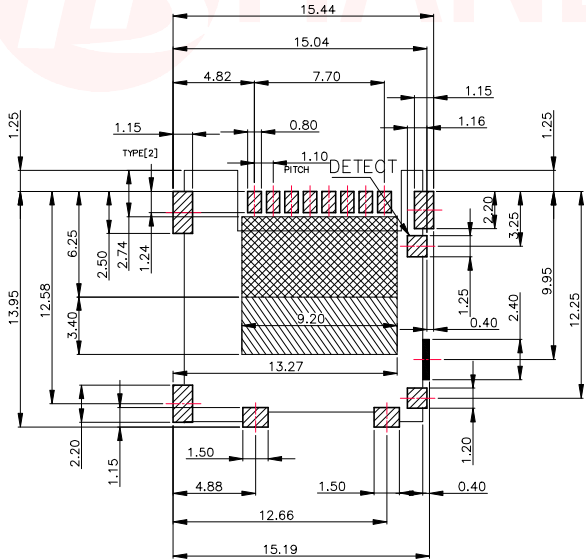


REV.	ECN NO OR DESCRIPTION	REVISED	DATE

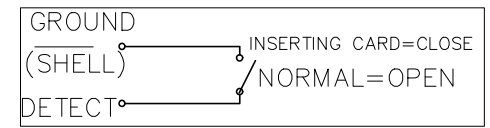


- COPLANARTY SPEC. FOR ALL SOLDER TAILS AND SOLDER PADS IS 0.1mm MAX.
- ELECTRICAL CHARACTERISTICS:
 - 2-1. CURRENT RATING: 0.5 Amp. MAX.
 - 2-2. VOLTAGE: 100V DC. MAX.
 - 2-3. LOW LEVEL CONTACT RESISTANCE: 100 mOhms MAX. INITIALLY.
 - 2-4. DIELECTRIC WITHSTANDING VOLTAGE: 500V AC MIN. FOR 1 MINUTE.
 - 2-5. INSULATION RESISTANCE: (INITIAL) 1000Mohms MIN., (FINAL) 100MOhms MIN. BY APPLYING 500V DC ON MATED AND UNMATED CONNECTORS THROUGH MIL-STD-202, METHOD 302.
- MECHANICAL CHARACTERISTICS:
 - 3-1. DURABILITY: 5000 CYCLES.
 - 3-2. OPERATING TEMP. RANGE: -25°C TO 85°C. [INCLUDING TERM. TEMP. RISE]
 - 3-3. STORAGE TEMP.: -40°C TO 85°C.
- QUANTITY OF PRODUCTS: 1400PCS/REEL
- PLEASE CONTACT BaoXunJie SALES REPRESENTATIVE TO VERIFY PRODUCT DETAILS.

0.10 ALL TAILS



TERM 1	DATA 2
TERM 2	CD/DATA 3
TERM 3	CMD
TERM 4	VDD
TERM 5	CLK
TERM 6	VSS
TERM 7	DATA 0
TERM 8	DATA 1



NO.	PART NAME	QTY	DESCRIPTION
7	DETECT	1	COPPER ALLOYGOLD PLATING
6	TERMINAL	1	COPPER ALLOYGOLD PLATING
5	HOUSING	1	THERMAL PLASTIC
4	SLIDER	1	THERMAL PLASTIC
3	SPRING	1	SUS
2	CAM FOLLOWER	1	SUS
1	SHELL	1	SUS Ni PLATING

RECOMMENDED PCB PATTERN LAYOUT(TOP VIEW) TOLERANCE: ±0.05

SOLDERPROHIBITED AREA PROHIBITED AREA PATTERN PROHIBITED AREA

UNLESS OTHERWISE SPECIFIED TOLERANCES

DECIMALS:	ANGLES:
X :±0.50	X :±2°
X.X :±0.20	X.X :±1°
X.XX :±0.10	

东莞市汉博电子科技有限公司 DONGGUAN HANBO TECHNOLOGY CO., LTD

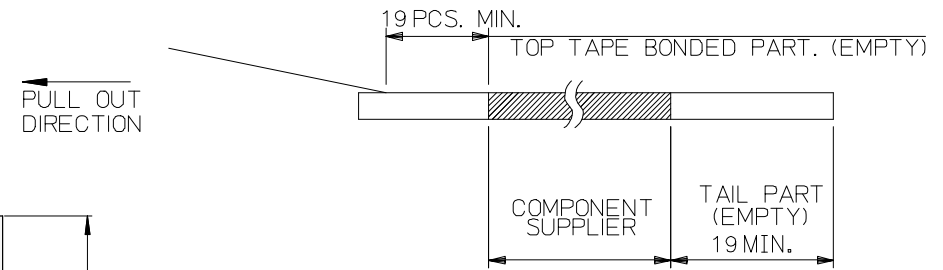
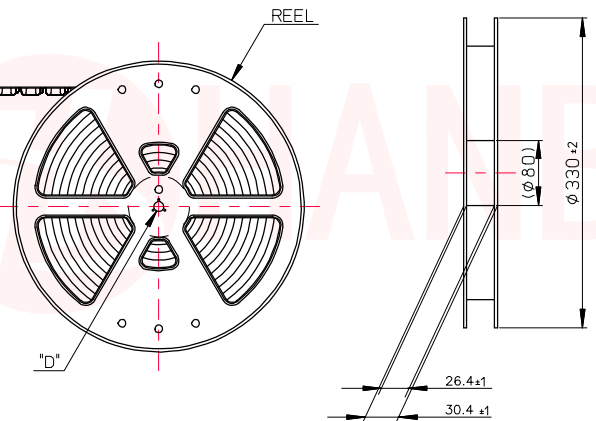
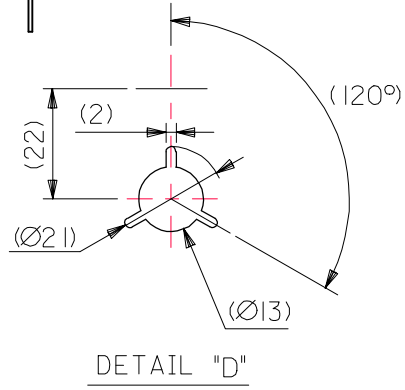
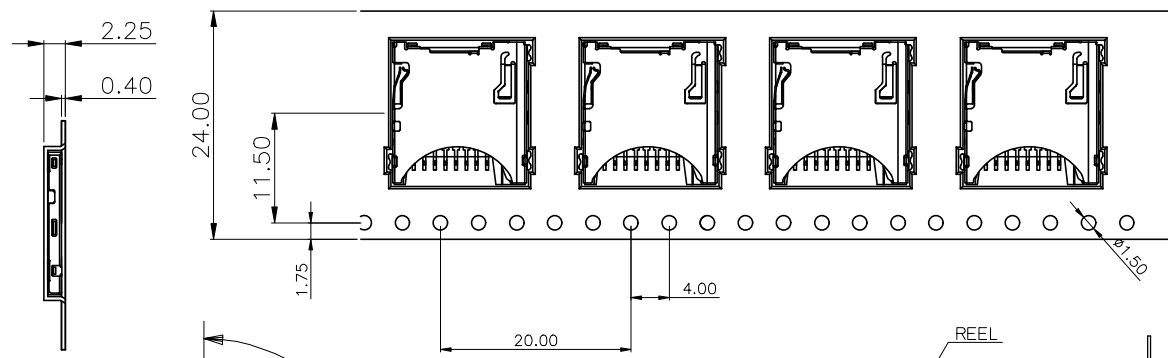
TITLE	1.45MM PUSH MICRO SD CARD CONN		
DWN	xiong	PART NO. TF-019	
CHKD	lee	SCALE:1:1	UNIT: mm
APVD	wang	SIZE: A4	SHEET:10F 1
		CUSTOMER COPY	REV: A4



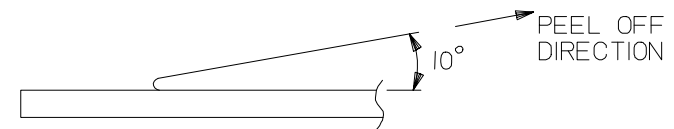
REV.	ECN NO OR DESCRIPTION	REVISED	DATE

NOTES

- RE DETAILED DIMENSION, SEE PRODUCT DRAWING.
- NUMBER OF CONNECTORS : 1500 PCS/REEL
- LEAD TAPE LENGTH

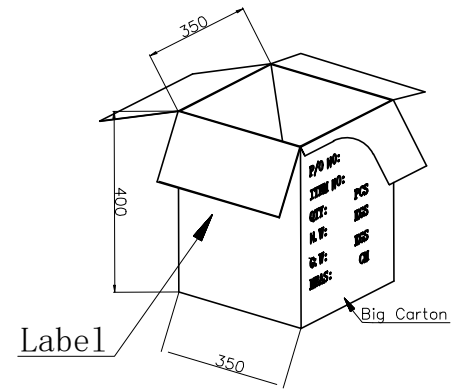
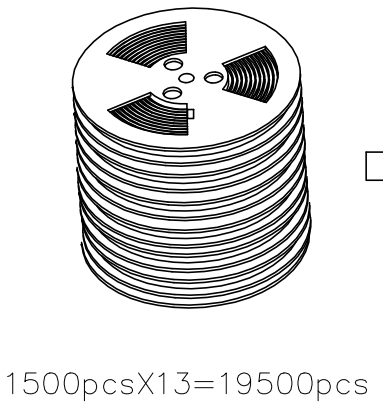


4. PEELING OFF FORCE OF TOP TAPE : 0.1N~1.3N(10gf~130gf)
 (PEELING DIRECTION AS SHOWN IN FOLLOWING FIG.)
 THIS REQUIREMENT SHOULD BE APPLIED AT SHIPMENT.
 PEEL OFF SHOULD NOT BE ALLOWED , DURING TRANSPORTION.



5. MATERIAL
 (CARRIER TAPE) : (POLYSTYRENE)
 (TOP TAPE) : PET
 (REEL) : (PS)

6. RoHS COMPLIANT



UNLESS OTHERWISE SPECIFIED TOLERANCES		东莞市汉博电子科技有限公司 DONGGUAN HANBO TECHNOLOGY CO., LTD			
DECIMALS:	ANGLES:	TITLE	1.45MM PUSH MICRO SD CARD CONN		
X : ±0.50	X : ±2°	DWN	xiong	PART NO. TF-019	
X.X : ±0.20	X.X : ±1°	CHKD	lee	SCALE:1:1	UNIT: mm
X.XX : ±0.10		APVD	wang	SIZE: A4	SHEET:10F 1
		REV: A4			
CUSTOMER COPY					