

Stripline Non-reflective Terminations (Externally Mounted)

HRM-TM Series



■ Features

1. High Performance

These wide bandwidth/high matching non-reflective termination use Hirose Electric original high frequency matching technology.

2. Stripline External Mounting Type

These termination are constructed to mount externally to the housing of a microwave device.

3. High Degree of Matching Type and Economical Type

To suit the application, a type that features a high degree of matching (with VSWR of 1.15 max from DC to 18 GHz) and an economical type (with VSWR of 1.15 max from DC to 8 GHz, and VSWR of 1.25 or less from 8 to 12.4 GHz) are available.

4. Applications

Ideal used as a dummy load for coaxial type circulators, directional couplers, hybrid dividers, and other devices.

■ Product Specifications

Ratings	Rated frequency range (Note) Characteristic impedance Maximum Input Power (Note)	DC to 18.0 GHz 50 ohms 1 to 20 W	Operating temperature range Operating relative humidity	-30°C to +65°C 95% Max.
---------	--	--	--	----------------------------

Note: The frequency range and the maximum usable power will differ depending on the model.

Item	Standard	Conditions
1. Vibration	No electrical discontinuity of 1 μ s or more No damage, cracks, or parts dislocation	Frequency of 10 to 500 Hz, overall amplitude of 1.52 mm, acceleration of 98 m/s ² for 2 hours in each of 3 directions
2. Shock		Acceleration of 490 m/s ² , sine half-wave waveform, 3 cycles in each of the 3 axis
3. Temperature cycle	No damage, cracks, or parts dislocation	Temperature: -55°C → +5°C to +35°C → +85°C → +5°C to +35°C Time: 30 → 15 max. → 30 → 15 max. (Minutes) 200 cycles

● The test method conforms to MIL-STD-202.

■ Materials

Part	Material	Finish
Body (Note)	Brass	Nickel plating
Insulator	PTFE	—
Contacts	Brass	Gold plating
Resistor	Metal film	—

Note: HRM-TM-025 has stainless steel body and has received gold plating.

■ Ordering Information

HRM - TM - 025 - 8

① ② ③ ④

① Series Name: HRM Series	③ Power (Examples) 1: 1 W
② Indicates a non-reflective termination	(Exception) 025: 1 W
	④ Suffix

■ Specifications

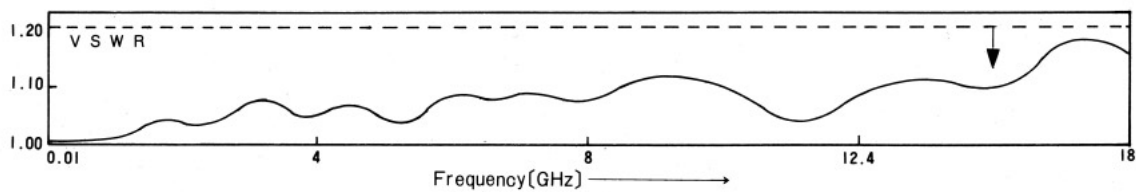
Part Number	Frequency Range (Ghz)	V.S.W.R. (MAX)	Power (W)	Direct Current Resistance (Ohms)	Temperature (°C Max)	Operating Temperature Rang (°C)	Heat Sink Temperature at Maximum Load (°CMax)	Operating Temperature Rang ($\mu\text{N} \cdot \text{m}$)	Weight (g)
HRM-TM-025	DC~10	1.20	1	50±1.5	40	-30~+65	+65	294	2.5
HRM-TM-025-6	DC~18	1.20	1	50±1.0	40	-30~+65	+65	392	3
HRM-TM-025-8	DC~18	1.20	1	50±1.0	40	-30~+65	+65	392	3.5
HRM-TM-025-9	DC~12	1.20	1	50±1.5	40	-30~+65	+65	392	3.5
HRM-TM-025-10	DC~4 4~8	1.08 1.12	1	50±1.0	40	-30~+65	+65	392	3
HRM-TM-025-11	DC~18	1.20	1	50±1.0	40	-30~+65	+65	392	3
HRM-TM-025-17	DC~8 8~12.4	1.15 1.25	1	50±1.5	40	-30~+65	+65	392	3
HRM-TM-10-2	DC~12.4 12.4~18	1.20 1.25	10	50±1.5	56	-10~+65	+65	392	3
HRM-TM-10-4	DC~12.4 12.4~18	1.20 1.25	10	50±1.5	56	-10~+65	+65	392	3
HRM-TM-20-1	DC~8.5 8.5~10	1.20 1.25	20	50±1.5	56	-10~+65	+65	※2	3

※1 $9.80665\text{N} \cdot \text{m} = 1\text{kgf} \cdot \text{m}$
 $0.980665\mu\text{N} \cdot (\text{m} = 1\text{kgf} \cdot \text{cm})$
 (Example) $392\mu\text{N} \cdot \text{m} = 400\text{kgf} \cdot \text{cm}$

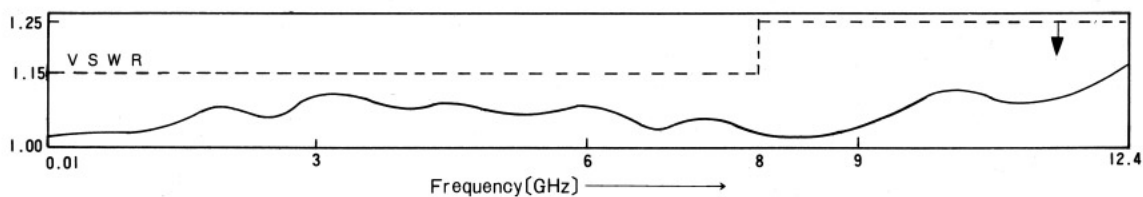
※2 No special standards have been established because of the spring contacts.

■ Typical Data

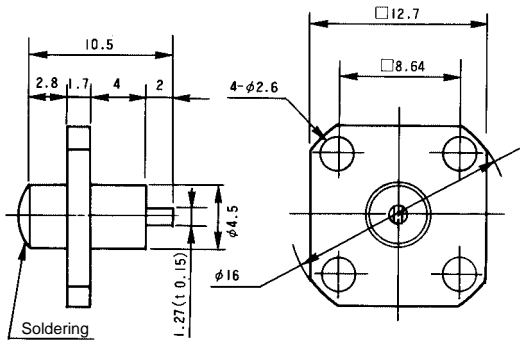
HRM-TM-025-8



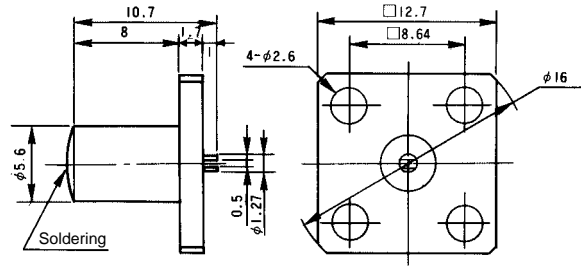
HRM-TM-025-17



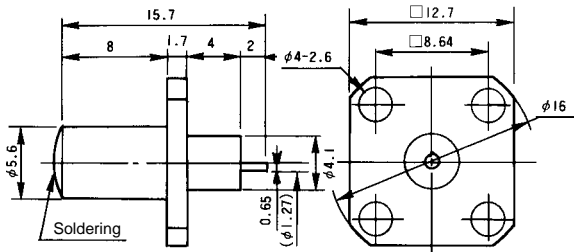
External Dimensions



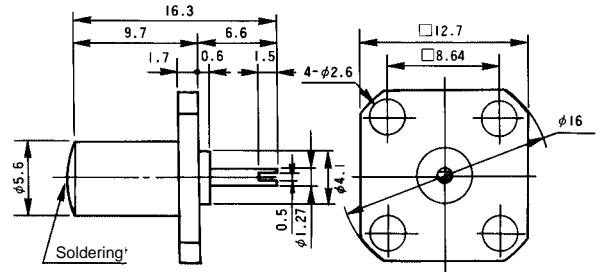
HRM-TM-025



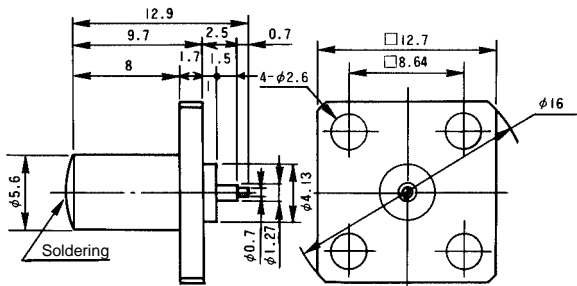
HRM-TM-025-6



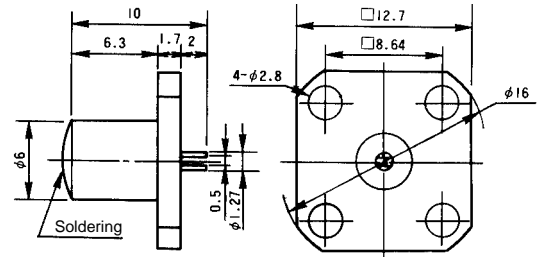
HRM-TM-025-8



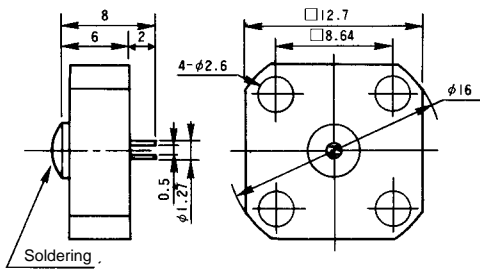
HRM-TM-025-10



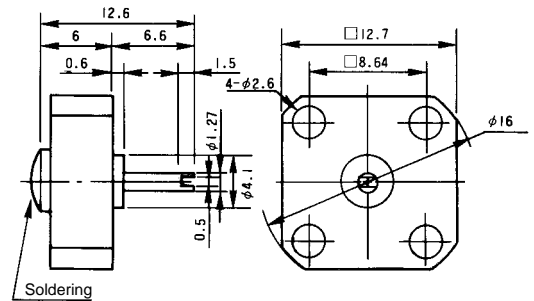
HRM-TM-025-11



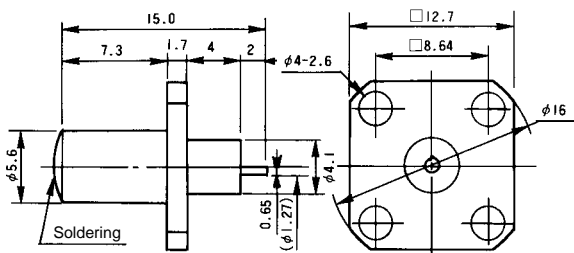
HRM-TM-025-17



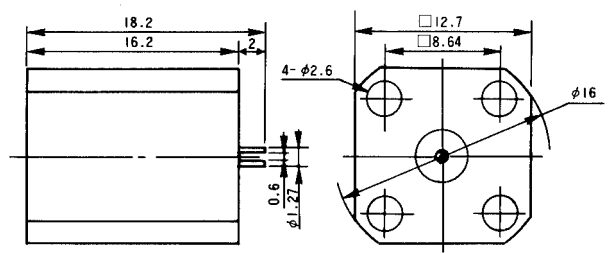
HRM-TM-10-2



HRM-TM-10-4



HRM-TM-025-9



HRM-TM-20-1