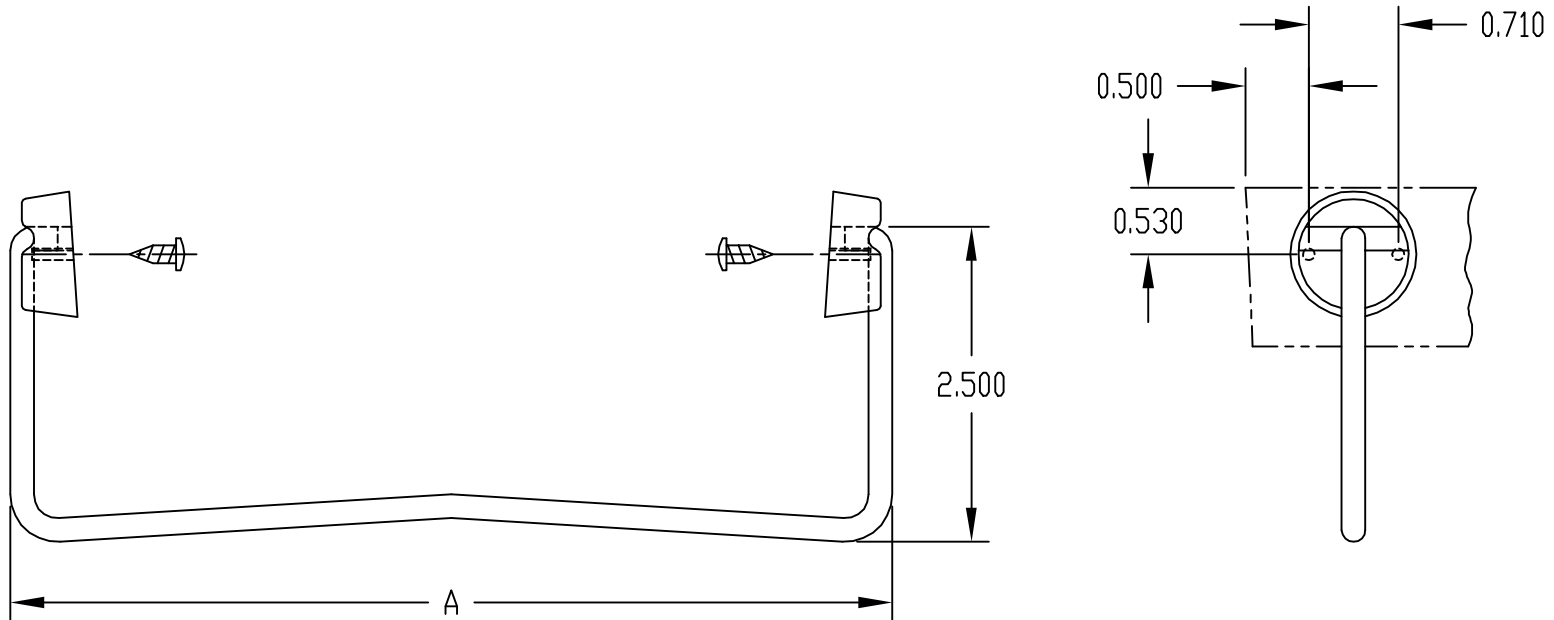


| | | | |
|-----------|-----------------|----------|---------------------|
| PART NAME | HANDLE/BAIL KIT | PART No. | HB-11496 & HB-11498 |
|-----------|-----------------|----------|---------------------|

MATERIAL: HANDLE _____ 3/16 DIA. STEEL
ATTACHMENT BUTTONS _____ MOLDED ABS
FEET _____ RUBBER

FINISH: HANDLE _____ CHROME PLATED
ATTACHMENT BUTTONS & FEET _____ BLACK

SUPPLIED WITH (4) MOUNTING SCREWS



| PART No. | DIM. A | WILL FIT |
|----------|--------|------------------------------|
| HB-11496 | 7.000 | PC-11406, PC-11410, PC-11414 |
| HB-11498 | 9.000 | PC-11408, PC-11412, PC-11416 |

| | | | |
|-----------|---------------------------|----------|-------------------------|
| PART NAME | EXTERNAL MOUNTING BRACKET | PART No. | MB-1390-LG & MB-1390-DG |
|-----------|---------------------------|----------|-------------------------|

MATERIAL: NYLON 66

FINISH:
(SUFFIX -LG) LIGHT GRAY
(SUFFIX -DG) DARK GRAY

*** NOTE: THESE BRACKETS WILL NOT FIT PLASTIC BOX PN-1344 ***

EACH KIT INCLUDES: QTY. (4) BRACKETS
- (2) LEFT & (2) RIGHT AND QTY. (4) SCREWS

