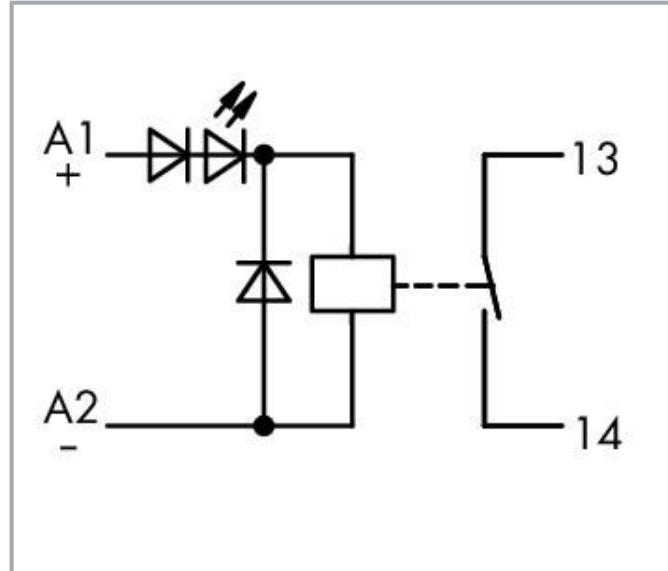
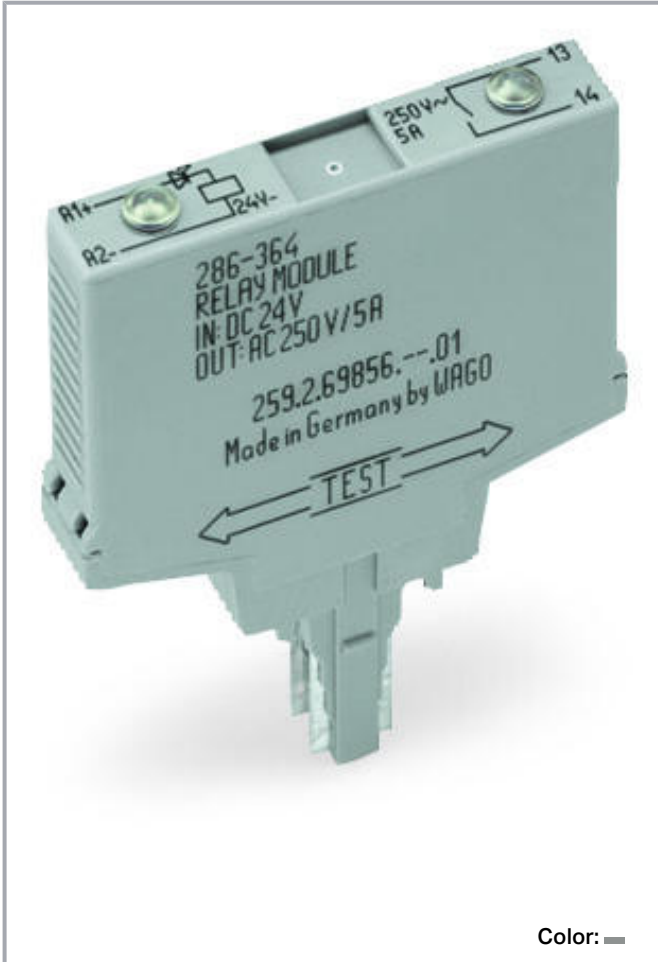


**Data sheet | Item number: 286-364**

Relay module; Nominal input voltage: 24 VDC; 1 make contact; Limiting continuous current: 5 A; Red status indicator; Module width: 10 mm; gray

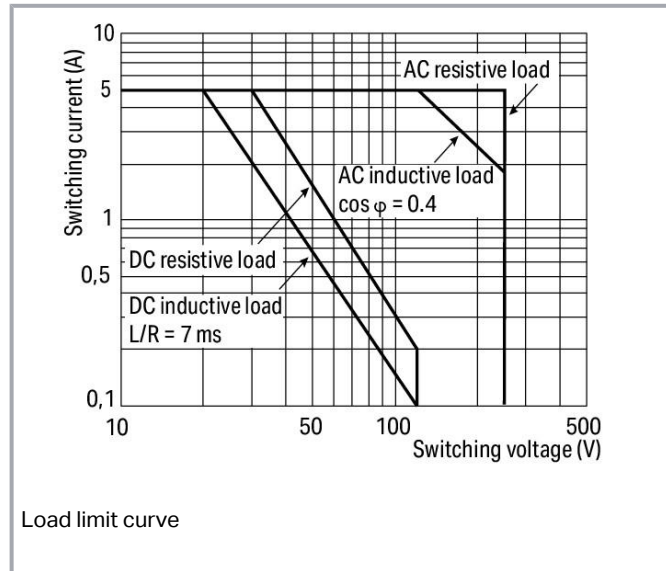
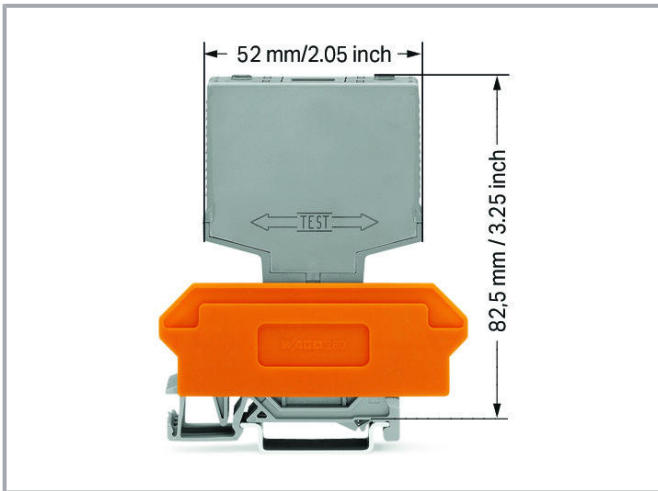
[www.wago.com/286-364](http://www.wago.com/286-364)



Subject to changes. Please also observe the further product documentation!

WAGO GmbH & Co. KG  
Hansastr. 27  
32423 Minden  
Phone: +49571 887-0 | Fax: +49571 887-169  
Email: [info.de@wago.com](mailto:info.de@wago.com) | Web: [www.wago.com](http://www.wago.com)

Do you have any questions about our products?  
We are always happy to take your call at +49 (571) 887-44222.



## Data

### Technical data

### Control circuit

Nominal input voltage $U_N$	DC 24 V
Input voltage range	$\pm 10\%$
Nominal input current at $U_N$	7.4 mA

### Load circuit

Number of make/switch-on contacts	1
Contact material (relay)	AgSnO <sub>2</sub>
Limiting continuous current	5 A
Switching voltage (max.)	AC 250 V
Switching power (resistive) (max.)	AC 1250 VA
Pull-in time (typ.)	6 ms
Drop-out time (typ.)	6 ms
Bounce time (typ.)	2 ms
Electrical life (NO; resistive load; 23 °C)	$10 \times 10^3$ switching operations
Mechanical life	$50 \times 10^3$ switching operations

Subject to changes. Please also observe the further product documentation!

## Signaling

Status indicator	Red LED
------------------	---------

## Safety and protection

Rated voltage	250 V
Rated surge voltage	2.5 kV
Pollution degree	2
Dielectric strength, control/load circuit (AC, 1 min)	3 kVrms
Protection type	IP20

## Physical data

Width	10 mm / 0.394 inch
Height from upper-edge of DIN-rail	82.5 mm / 3.248 inch
Depth	52 mm / 2.047 inch

## Mechanical data

Mounting type	Pluggable module for receptacle terminal blocks
---------------	-------------------------------------------------

## Material data

Color	gray
Fire load	0.276 MJ
Weight	16.8 g

## Environmental requirements

Surrounding air temperature (operation at $U_N$ )	-25 ... 40 °C
Surrounding air temperature (storage)	-25 ... 70 °C
Processing temperature	-25 ... +50 °C
Relative humidity	5 ... 85 % (no condensation permissible)
Operating altitude (max.)	2000 m

## Standards and specifications

Standards/Specifications	EN 60664-1
--------------------------	------------

## Commercial data


Product Group	6 (Interface Electronics)
---------------	---------------------------

Subject to changes. Please also observe the further product documentation!




PU (SPU)	25 (1) Stück
Packaging type	box
Country of origin	DE
GTIN	4045454524968
Customs tariff number	85364900990

## Optional accessories

### Marking accessories

Marker	
	<b>Item no.: 209-701</b> WSB marking card; as card; not stretchable; plain; snap-on type; white <span style="float: right;"><a href="http://www.wago.com/209-701">www.wago.com/209-701</a></span>

### Terminal blocks

Terminal block for pluggable modules	
	<b>Item no.: 280-608</b> Terminal block for pluggable modules; 4-pole; with 4-conductor terminal blocks; with orange separator; <a href="http://www.wago.com/280-608">www.wago.com/280-608</a> for DIN-rail 35 x 15 and 35 x 7.5; 2.5 mm <sup>2</sup> ; CAGE CLAMP®; 2,50 mm <sup>2</sup> ; gray
	<b>Item no.: 280-618</b> Terminal block for pluggable modules; 4-pole; with 2-conductor terminal blocks; with orange separator; <a href="http://www.wago.com/280-618">www.wago.com/280-618</a> for DIN-rail 35 x 15 and 35 x 7.5; 2.5 mm <sup>2</sup> ; CAGE CLAMP®; 2,50 mm <sup>2</sup> ; gray
	<b>Item no.: 280-762</b> Terminal block for pluggable modules; 4-pole; with 4-conductor terminal blocks; with marker carrier; <a href="http://www.wago.com/280-762">www.wago.com/280-762</a> with orange separator; for DIN-rail 35 x 15 and 35 x 7.5; 2.5 mm <sup>2</sup> ; CAGE CLAMP®; 2,50 mm <sup>2</sup> ; gray

## Downloads

### Documentation

#### Bid Text

286-364	2019. 2. 19.	xml	Download
X81 - Datei		3.7 kB	
286-364	2018. 3. 22.	doc	Download
doc - Datei		26.1 kB	

#### Instruction Leaflet

		pdf	Download
		1.3 MB	

#### Additional Information

Disposal; Electrical and electronic equipment, Packaging	V 1.0.0	pdf	Download
		265.8 kB	

Subject to changes. Please also observe the further product documentation!

## CAD/CAE-Data

### CAD data

2D/3D Models 286-364	<a href="#">URL</a>	<a href="#">Download</a>
----------------------	---------------------	--------------------------

### CAE data

WSCAD Universe 286-364	<a href="#">URL</a>	<a href="#">Download</a>
------------------------	---------------------	--------------------------

ZUKEN Portal 286-364	<a href="#">URL</a>	<a href="#">Download</a>
----------------------	---------------------	--------------------------

## Environmental Product Compliance

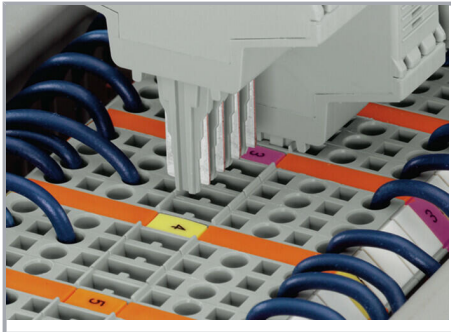
### Compliance Search

Environmental Product Compliance 286-364	<a href="#">URL</a>	<a href="#">Download</a>
------------------------------------------	---------------------	--------------------------

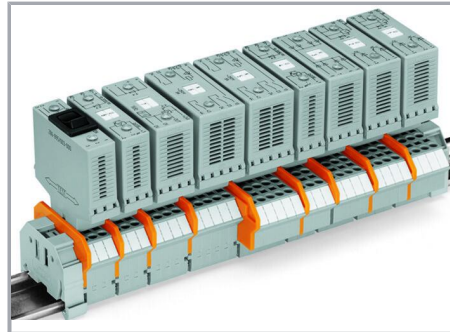
Relay module; Nominal input voltage: 24 VDC; 1 make contact; Limiting continuous current: 5 A; Red status indicator; Module width: 10 mm; gray

## Installation Notes

### Assembly



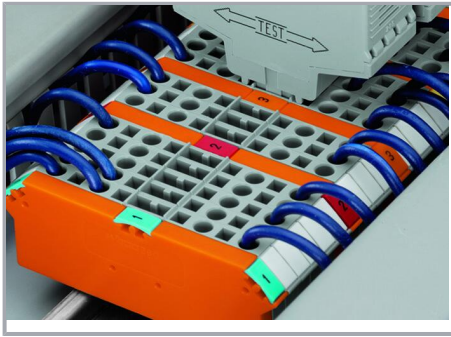
Coding ensures correct polarity.



Pluggable electronic modules on 2- or 4-conductor carrier terminal blocks

### Marking

Subject to changes. Please also observe the further product documentation!



Marking via WMB Multi Marking System.

### Testing



Function testing via touch-proof test slots

Subject to changes. Please also observe the further product documentation!