



# Differential 8:1 ECL/PECL Multiplexer with Dual Output Buffers

MAX9389

## General Description

The MAX9389 is a fully differential, high-speed, low-jitter, 8-to-1 ECL/PECL multiplexer (mux) with dual output buffers. The device is designed for clock and data distribution applications, and features extremely low propagation delay (310ps typ) and output-to-output skew (30ps max).

Three single-ended select inputs, SEL0, SEL1, and SEL2, control the mux function. The mux select inputs are compatible with ECL/PECL logic, and are internally referenced to the on-chip reference output (V<sub>BB1</sub>, V<sub>BB2</sub>), nominally V<sub>CC</sub> - 1.425V. The select inputs accept signals between V<sub>CC</sub> and V<sub>EE</sub>. Internal pulldowns to V<sub>EE</sub> ensure a low default condition if the select inputs are left open.

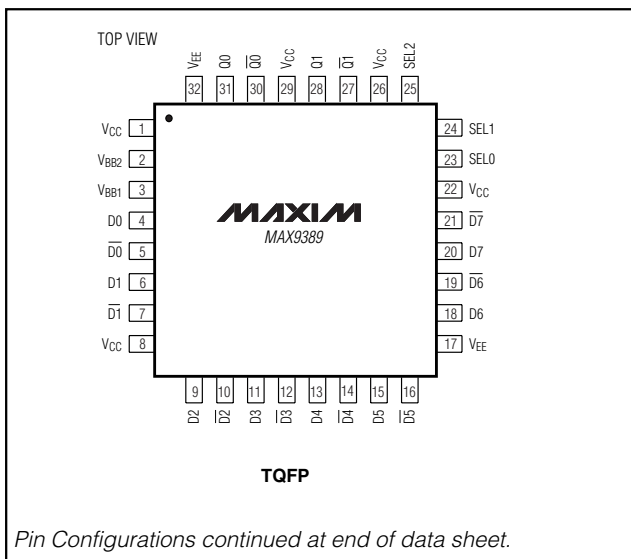
The differential inputs D<sub>-</sub>,  $\bar{D}$ <sub>-</sub> can be configured to accept a single-ended signal when the unused complementary input is connected to the on-chip reference output (V<sub>BB1</sub>, V<sub>BB2</sub>). All the differential inputs have internal bias and clamping circuits that ensure a low output state when the inputs are left open.

The MAX9389 operates with a wide supply range V<sub>CC</sub> - V<sub>EE</sub> of 2.375V to 5.5V. The device is offered in 32-pin TQFP and thin QFN packages, and operates over the -40°C to +85°C extended temperature range.

## Applications

- High-Speed Telecom and Datacom Applications
- Central-Office Backplane Clock Distribution
- DSLAM/DLC

## Pin Configurations



## Features

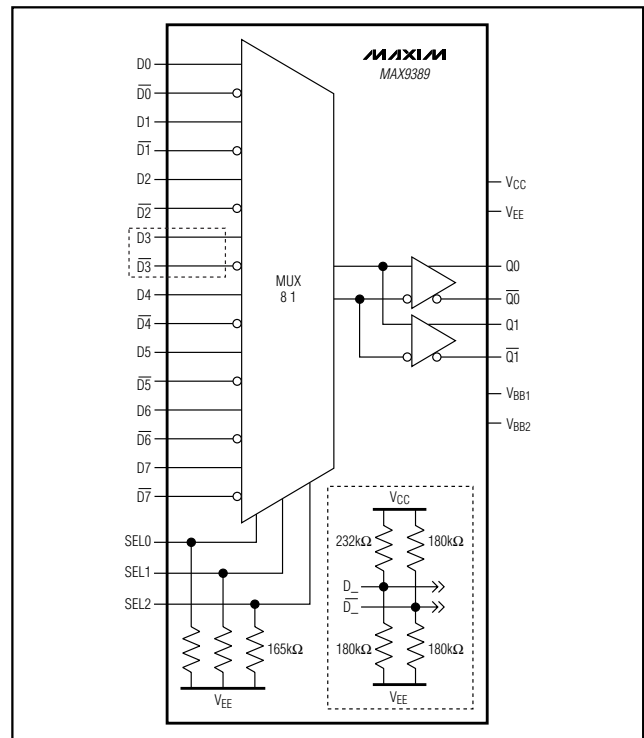
- ◆ 310ps Propagation Delay
- ◆ Guaranteed 2.7GHz Operating Frequency
- ◆ 0.3ps<sub>RMS</sub> Random Jitter
- ◆ <30ps Output-to-Output Skew
- ◆ -2.375V to -5.5V Supplies for Differential LVECL/ECL
- ◆ +2.375V to +5.5V Supplies for Differential LVPECL/PECL
- ◆ Outputs Low for Open Inputs
- ◆ Dual Output Buffers
- ◆ >2kV ESD Protection (Human Body Model)

## Ordering Information

PART	TEMP RANGE	PIN-PACKAGE
MAX9389EHJ	-40°C to +85°C	32 TQFP
MAX9389ETJ*	-40°C to +85°C	32 Thin QFN

\*Future product—contact factory for availability.

## Functional Diagram



# Differential 8:1 ECL/PECL Multiplexer with Dual Output Buffers

## ABSOLUTE MAXIMUM RATINGS

VCC - VEE .....	-0.3V to +6.0V	32-Lead QFN (derate 21.3mW/°C above +70°C) .....	1702mW
Inputs (D <sub>-</sub> , $\overline{D}$ <sub>-</sub> , SEL <sub>-</sub> ) to VEE .....	-0.3V to (VCC + 0.3V)	θ <sub>JA</sub> in Still Air .....	+47°C/W
D <sub>-</sub> to $\overline{D}$ <sub>-</sub> .....	±3.0V	θ <sub>JC</sub> .....	+2°C/W
Continuous Output Current .....	.50mA	Operating Temperature Range .....	-40°C to +85°C
Surge Output Current .....	100mA	Junction Temperature .....	+150°C
V <sub>BB-</sub> Sink/Source Current .....	±600μA	Storage Temperature Range .....	-65°C to +150°C
Continuous Power Dissipation (T <sub>A</sub> = +70°C)		ESD Protection	
32-Lead TQFP (derate 13.1mW/°C above +70°C) ...	1047mW	Human Body Model (D <sub>-</sub> , $\overline{D}$ <sub>-</sub> , Q <sub>-</sub> , $\overline{Q}$ <sub>-</sub> , SEL <sub>-</sub> , V <sub>BB-</sub> ) .....	≥2kV
θ <sub>JA</sub> in Still Air .....	+76°C/W	Soldering Temperature (10s) .....	+300°C
θ <sub>JC</sub> .....	+25°C/W		

Stresses beyond those listed under "Absolute Maximum Ratings" may cause permanent damage to the device. These are stress ratings only, and functional operation of the device at these or any other conditions beyond those indicated in the operational sections of the specifications is not implied. Exposure to absolute maximum rating conditions for extended periods may affect device reliability.

## DC ELECTRICAL CHARACTERISTICS

(VCC - VEE = 2.375V to 5.5V, outputs loaded with 50Ω ±1% to VCC - 2V. Typical values are at VCC - VEE = 3.3V, V<sub>IHD</sub> = VCC - 1V, V<sub>ILD</sub> = VCC - 1.5V, unless otherwise noted.) (Notes 1-4)

PARAMETER	SYMBOL	CONDITIONS	-40°C			+25°C			+85°C			UNITS
			MIN	TYP	MAX	MIN	TYP	MAX	MIN	TYP	MAX	
<b>INPUT (D<sub>-</sub>, <math>\overline{D}</math><sub>-</sub>, SEL<sub>-</sub>)</b>												
Single-Ended Input High Voltage	V <sub>IH</sub>	V <sub>BB-</sub> connected to the unused input, Figure 1	VCC - 1.225	VCC - 0.880	VCC - 1.225	VCC - 0.880	VCC - 1.225	VCC - 0.880			V	
Single-Ended Input Low Voltage	V <sub>IL</sub>	V <sub>BB-</sub> connected to the unused input, Figure 1	VCC - 1.945	VCC - 1.625	VCC - 1.945	VCC - 1.625	VCC - 1.945	VCC - 1.625			V	
Differential Input High Voltage	V <sub>IHD</sub>	Figure 1	V <sub>EE</sub> + 1.2	VCC	V <sub>EE</sub> + 1.2	VCC	V <sub>EE</sub> + 1.2	VCC			V	
Differential Input Low Voltage	V <sub>ILD</sub>	Figure 1	V <sub>EE</sub>	VCC - 0.095	V <sub>EE</sub>	VCC - 0.095	V <sub>EE</sub>	VCC - 0.095			V	
Differential Input Voltage	V <sub>IHD</sub> - V <sub>ILD</sub>	Figure 1	VCC - V <sub>EE</sub> < 3.0V	0.095	VCC - V <sub>EE</sub>	0.095	VCC - V <sub>EE</sub>	0.095	VCC - V <sub>EE</sub>		V	
			VCC - V <sub>EE</sub> ≥ 3.0V	0.095	3.000	0.095	3.000	0.095	3.000			
Input Current	I <sub>IN</sub>	V <sub>IH</sub> , V <sub>IL</sub> , V <sub>IHD</sub> , V <sub>ILD</sub>	-60	+60	-60	+60	-60	+60			μA	
<b>OUTPUT (Q<sub>-</sub>, <math>\overline{Q}</math><sub>-</sub>)</b>												
Single-Ended Output High Voltage	V <sub>OH</sub>	Figure 2	VCC - 1.145	VCC - 0.895	VCC - 1.145	VCC - 0.895	VCC - 1.145	VCC - 0.895			V	

# Differential 8:1 ECL/PECL Multiplexer with Dual Output Buffers

MAX9389

## DC ELECTRICAL CHARACTERISTICS (continued)

( $V_{CC} - V_{EE} = 2.375V$  to  $5.5V$ , outputs loaded with  $50\Omega \pm 1\%$  to  $V_{CC} - 2V$ . Typical values are at  $V_{CC} - V_{EE} = 3.3V$ ,  $V_{IHD} = V_{CC} - 1V$ ,  $V_{ILD} = V_{CC} - 1.5V$ , unless otherwise noted.) (Notes 1–4)

PARAMETER	SYMBOL	CONDITIONS	-40°C			+25°C			+85°C			UNITS
			MIN	TYP	MAX	MIN	TYP	MAX	MIN	TYP	MAX	
Single-Ended Output Low Voltage	$V_{OL}$	Figure 2	$V_{CC} - 1.945$		$V_{CC} - 1.695$	$V_{CC} - 1.945$		$V_{CC} - 1.695$	$V_{CC} - 1.945$		$V_{CC} - 1.695$	V
Differential Output Voltage	$V_{OH} - V_{OL}$	Figure 2	650	830		650	840		650	840		mV
<b>REFERENCE OUTPUT (<math>V_{BB-}</math>)</b>												
Reference Voltage Output	$V_{BB1}$ $V_{BB2}$	$I_{BB1} + I_{BB2} = \pm 0.5mA$ (Note 5)	$V_{CC} - 1.525$	$V_{CC} - 1.425$	$V_{CC} - 1.325$	$V_{CC} - 1.525$	$V_{CC} - 1.425$	$V_{CC} - 1.325$	$V_{CC} - 1.525$	$V_{CC} - 1.425$	$V_{CC} - 1.325$	V
<b>POWER SUPPLY</b>												
Supply Current	$I_{EE}$	(Note 6)		50	70		53	70		55	70	mA

## AC ELECTRICAL CHARACTERISTICS

( $V_{CC} - V_{EE} = 2.375V$  to  $5.5V$ , outputs loaded with  $50\Omega \pm 1\%$  to  $V_{CC} - 2V$ ,  $V_{IHD} - V_{ILD} = 0.15V$  to  $1V$ ,  $f_{IN} \leq 2.5GHz$ , input duty cycle = 50%, input transition time = 125ps (20% to 80%). Typical values are at  $V_{CC} - V_{EE} = 3.3V$ ,  $V_{IHD} = V_{CC} - 1V$ ,  $V_{ILD} = V_{CC} - 1.5V$ ,  $f_{IN} = 622MHz$ , input duty cycle = 50%, input transition time = 125ps (20% to 80%.) (Note 7)

PARAMETER	SYMBOL	CONDITIONS	-40°C			+25°C			+85°C			UNITS
			MIN	TYP	MAX	MIN	TYP	MAX	MIN	TYP	MAX	
Differential Input-to-Output Delay	$t_{PLHD}$ , $t_{PHLD}$	Figure 2	216	301	370	237	310	416	255	329	456	ps
SEL_-to-Output Delay	$t_{PLH2}$ , $t_{PHL2}$	Figure 4, input transition time = 500ps (20% to 80%) (Note 8)		1.34	2		1.25	2		1.44	2	ns
Output-to-Output Skew	$t_{SKOO}$	Figure 5 (Note 9)			15			15			30	ps
Input-to-Output Skew	$t_{SKIO}$	Figure 6 (Note 10)			50			50			55	ps
Part-to-Part Skew	$t_{SKPP}$	(Note 11)			125			150			160	ps
Added Random Jitter (Note 12)	$t_{RJ}$	Clock pattern	$f_{IN} = 156MHz$	0.3	1.15	0.3	1.15	0.3	1.15	0.3	1.15	psRMS
			$f_{IN} = 622MHz$	0.3	1.15	0.3	1.15	0.3	1.15	0.3	1.15	
			$f_{IN} = 2.5GHz$	0.3	1.15	0.3	1.15	0.3	1.15	0.3	1.15	
Added Deterministic Jitter (Note 12)	$T_{DJ}$	PRBS $2^{23} - 1$	$f_{IN} = 156Mbps$	33	95	33	95	33	95	33	95	psP-P
			$f_{IN} = 622Mbps$	21	61	21	61	21	61	21	61	

# Differential 8:1 ECL/PECL Multiplexer with Dual Output Buffers

## AC ELECTRICAL CHARACTERISTICS (continued)

( $V_{CC} - V_{EE} = 2.375V$  to  $5.5V$ , outputs loaded with  $50\Omega \pm 1\%$  to  $V_{CC} - 2V$ ,  $V_{IHD} - V_{ILD} = 0.15V$  to  $1V$ ,  $f_{IN} \leq 2.5GHz$ , input duty cycle = 50%, input transition time = 125ps (20% to 80%). Typical values are at  $V_{CC} - V_{EE} = 3.3V$ ,  $V_{IHD} = V_{CC} - 1V$ ,  $V_{ILD} = V_{CC} - 1.5V$ ,  $f_{IN} = 622MHz$ , input duty cycle = 50%, input transition time = 125ps (20% to 80%)) (Note 7)

PARAMETER	SYMBOL	CONDITIONS	-40°C			+25°C			+85°C			UNITS
			MIN	TYP	MAX	MIN	TYP	MAX	MIN	TYP	MAX	
Switching Frequency	$f_{MAX}$	$V_{OH} - V_{OL} \geq 300mV$ , Figure 2	2.7			2.7			2.7			GHz
Select Toggle Frequency	$f_{SEL}$	$V_{OH} - V_{OL} \geq 300mV$ , Figure 4	100			100			100			MHz
Output Rise and Fall Time (20% to 80%)	$t_R, t_F$	Figure 2	67	105	138	74	117	155	81	128	165	ps

**Note 1:** Measurements are made with the device in thermal equilibrium.

**Note 2:** Current into an I/O pin is defined as positive. Current out of an I/O pin is defined as negative.

**Note 3:** DC parameters production tested at  $T_A = +25^\circ C$  and guaranteed by design over the full operating temperature range.

**Note 4:** Single-ended data input operation using  $V_{BB-}$  is limited to  $(V_{CC} - V_{EE}) \geq 3.0V$ .

**Note 5:** Use  $V_{BB-}$  only for inputs that are on the same device as the  $V_{BB-}$  reference.

**Note 6:** All pins open except  $V_{CC}$  and  $V_{EE}$ .

**Note 7:** Guaranteed by design and characterization. Limits are set at  $\pm 6$  sigma.

**Note 8:** Measured from the 50% point of the input signal with the 50% point equal to  $V_{BB}$ , to the 50% point of the output signal.

**Note 9:** Measured between outputs of the same part at the signal crossing points for a same-edge transition.

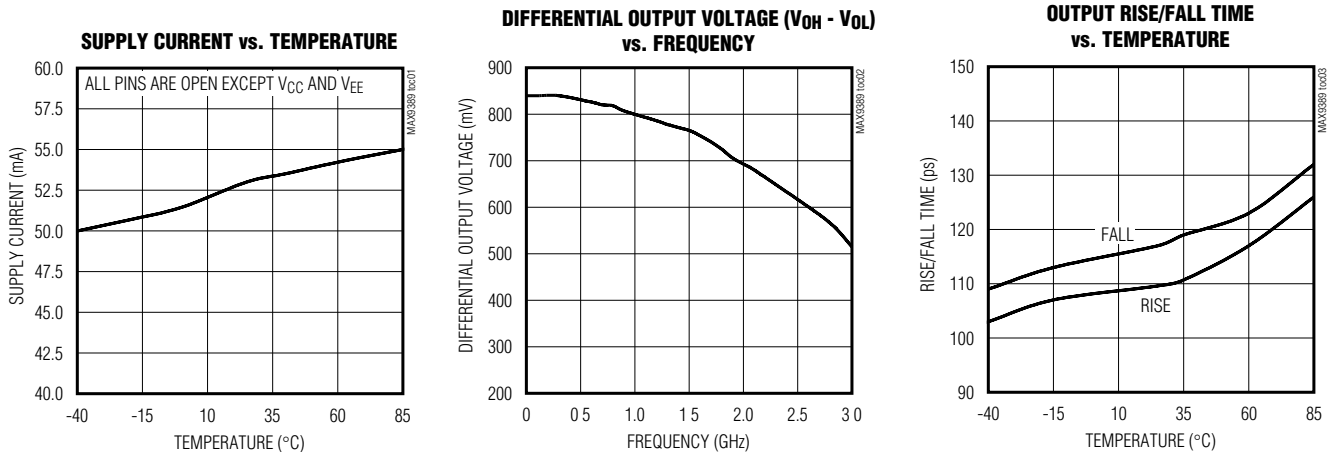
**Note 10:** Measured between input-to-output paths of the same part at the signal crossing points for a same-edge transition of the differential input signal.

**Note 11:** Measured between outputs of different parts at the signal crossing points under identical conditions for a same-edge transition.

**Note 12:** Device jitter added to the differential input signal.

## Typical Operating Characteristics

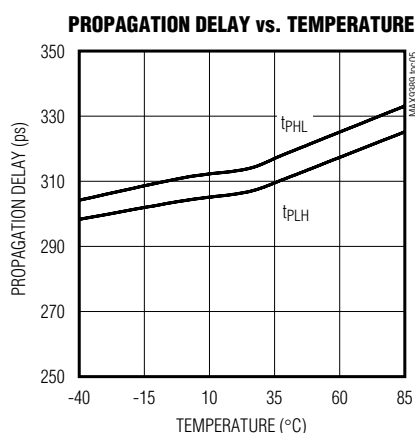
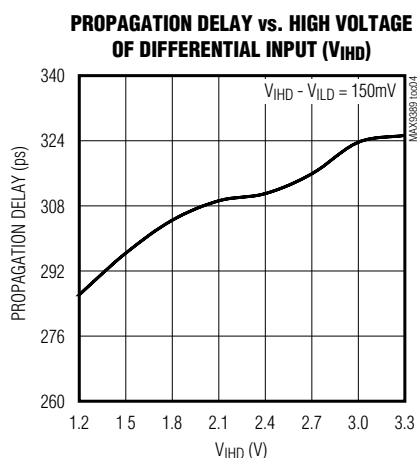
( $V_{CC} - V_{EE} = 3.3V$ ,  $V_{IHD} = V_{CC} - 1V$ ,  $V_{ILD} = V_{CC} - 1.5V$ , outputs loaded with  $50\Omega \pm 1\%$  to  $V_{CC} - 2V$ ,  $f_{IN} = 622MHz$ , input duty cycle = 50%, input transition time = 125ps (20% to 80%), unless otherwise noted.)



# Differential 8:1 ECL/PECL Multiplexer with Dual Output Buffers

## Typical Operating Characteristics (continued)

( $V_{CC} - V_{EE} = 3.3V$ ,  $V_{IHD} = V_{CC} - 1V$ ,  $V_{ILD} = V_{CC} - 1.5V$ , outputs loaded with  $50\Omega \pm 1\%$  to  $V_{CC} - 2V$ ,  $f_{IN} = 622MHz$ , input duty cycle = 50%, input transition time = 125ps (20% to 80%), unless otherwise noted.)



## Pin Description

PIN	NAME	FUNCTION
1, 8, 22, 26, 29	$V_{CC}$	Positive Supply Input. Bypass each $V_{CC}$ to $V_{EE}$ with 0.1 $\mu F$ and 0.01 $\mu F$ ceramic capacitors. Place the capacitors as close to the device as possible with the smaller value capacitor closest to the device.
2	$V_{BB2}$	Reference Output Voltage 2. Connect to the inverting or noninverting data input to provide a reference for single-ended operation. When used, bypass $V_{BB2}$ to $V_{CC}$ with a 0.01 $\mu F$ ceramic capacitor. Otherwise leave open.
3	$V_{BB1}$	Reference Output Voltage 1. Connect to the inverting or noninverting data input to provide a reference for single-ended operation. When used, bypass $V_{BB1}$ to $V_{CC}$ with a 0.01 $\mu F$ ceramic capacitor. Otherwise leave open.
4	D0	Noninverting Differential Input 0. Internal 232k $\Omega$ to $V_{CC}$ and 180k $\Omega$ to $V_{EE}$ .
5	$\overline{D0}$	Inverting Differential Input 0. Internal 180k $\Omega$ to $V_{CC}$ and 180k $\Omega$ to $V_{EE}$ .
6	D1	Noninverting Differential Input 1. Internal 232k $\Omega$ to $V_{CC}$ and 180k $\Omega$ to $V_{EE}$ .
7	$\overline{D1}$	Inverting Differential Input 1. Internal 180k $\Omega$ to $V_{CC}$ and 180k $\Omega$ to $V_{EE}$ .
9	D2	Noninverting Differential Input 2. Internal 232k $\Omega$ to $V_{CC}$ and 180k $\Omega$ to $V_{EE}$ .
10	$\overline{D2}$	Inverting Differential Input 2. Internal 180k $\Omega$ to $V_{CC}$ and 180k $\Omega$ to $V_{EE}$ .
11	D3	Noninverting Differential Input 3. Internal 232k $\Omega$ to $V_{CC}$ and 180k $\Omega$ to $V_{EE}$ .
12	$\overline{D3}$	Inverting Differential Input 3. Internal 180k $\Omega$ to $V_{CC}$ and 180k $\Omega$ to $V_{EE}$ .
13	D4	Noninverting Differential Input 4. Internal 232k $\Omega$ to $V_{CC}$ and 180k $\Omega$ to $V_{EE}$ .
14	$\overline{D4}$	Inverting Differential Input 4. Internal 180k $\Omega$ to $V_{CC}$ and 180k $\Omega$ to $V_{EE}$ .
15	D5	Noninverting Differential Input 5. Internal 232k $\Omega$ to $V_{CC}$ and 180k $\Omega$ to $V_{EE}$ .
16	$\overline{D5}$	Inverting Differential Input 5. Internal 180k $\Omega$ to $V_{CC}$ and 180k $\Omega$ to $V_{EE}$ .
17, 32	$V_{EE}$	Negative Supply Input
18	D6	Noninverting Differential Input 6. Internal 232k $\Omega$ to $V_{CC}$ and 180k $\Omega$ to $V_{EE}$ .
19	$\overline{D6}$	Inverting Differential Input 6. Internal 180k $\Omega$ to $V_{CC}$ and 180k $\Omega$ to $V_{EE}$ .

# Differential 8:1 ECL/PECL Multiplexer with Dual Output Buffers

## Pin Description (continued)

PIN	NAME	FUNCTION
20	D7	Noninverting Differential Input 7. Internal 232kΩ to V <sub>CC</sub> and 180kΩ to V <sub>EE</sub> .
21	$\overline{D7}$	Inverting Differential Input 7. Internal 180kΩ to V <sub>CC</sub> and 180kΩ to V <sub>EE</sub> .
23	SEL0	Select Logic Input 0. Internal 165kΩ pull-down to V <sub>EE</sub> .
24	SEL1	Select Logic Input 1. Internal 165kΩ pull-down to V <sub>EE</sub> .
25	SEL2	Select Logic Input 2. Internal 165kΩ pull-down to V <sub>EE</sub> .
27	$\overline{Q1}$	Inverting Output 1. Typically terminate with 50Ω resistor to V <sub>CC</sub> - 2V.
28	Q1	Noninverting Output 1. Typically terminate with 50Ω resistor to V <sub>CC</sub> - 2V.
30	$\overline{Q0}$	Inverting Output 0. Typically terminate with 50Ω resistor to V <sub>CC</sub> - 2V.
31	Q0	Noninverting Output 0. Typically terminate with 50Ω resistor to V <sub>CC</sub> - 2V.
—	EP	Exposed Pad (QFN Package Only). Connect to V <sub>EE</sub> .

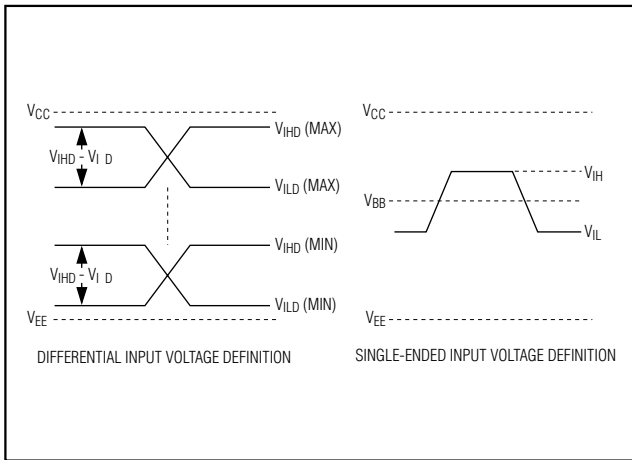


Figure 1. Input Definitions

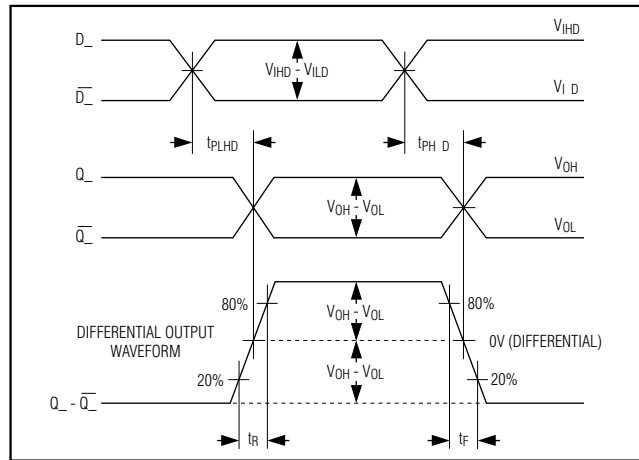


Figure 2. Differential Input-to-Output Propagation Delay Timing Diagram

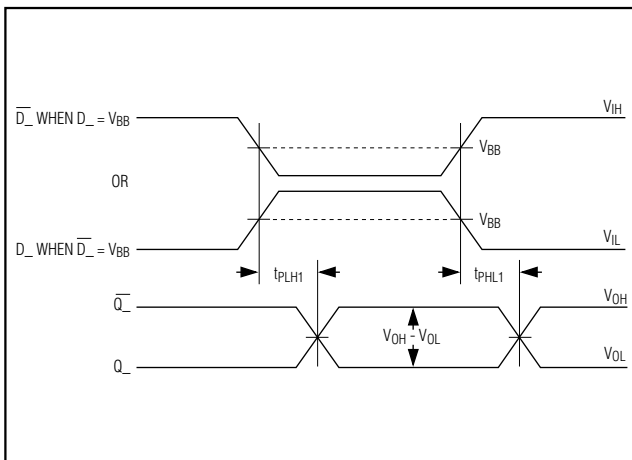


Figure 3. Single-Ended Input-to-Output Propagation Delay Timing Diagram

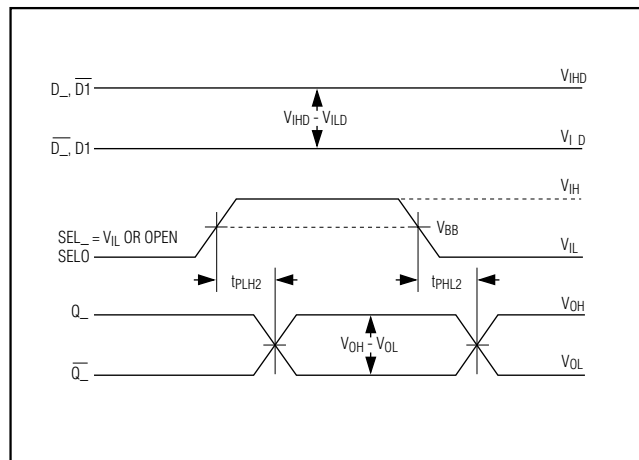


Figure 4. Select Input (SEL0) to Output (Q\_ and Q\_) Delay Timing Diagram

# Differential 8:1 ECL/PECL Multiplexer with Dual Output Buffers

MAX9389

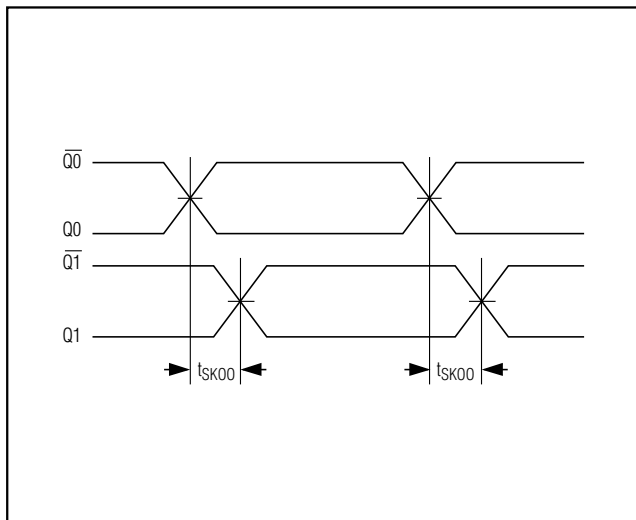


Figure 5. Output-to-Output Skew ( $t_{SKOO}$ ) Definition

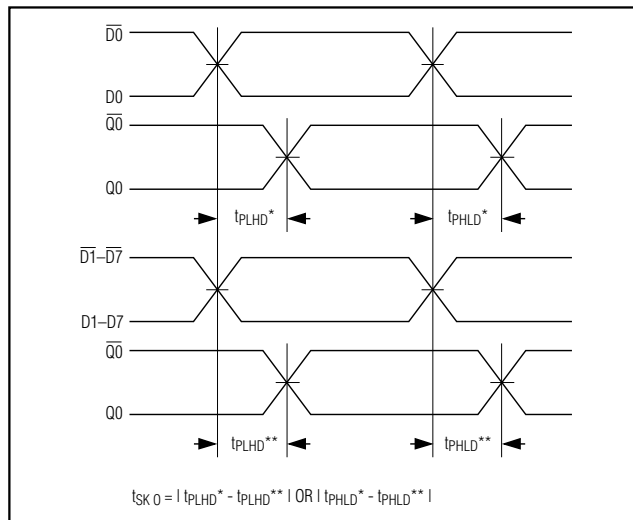


Figure 6. Input-to-Output Skew ( $t_{SKIO}$ ) Definition

## Detailed Description

The MAX9389 is a fully differential, high-speed, low-jitter 8-to-1 ECL/PECL mux with dual output buffers. The device is designed for clock and data distribution applications, and features extremely low propagation delay (310ps typ) and output-to-output skew (30ps max).

Three single-ended select inputs, SEL0, SEL1, and SEL2, control the mux function (see Table 1). The mux select inputs are compatible with ECL/PECL logic, and are internally referenced to the on-chip reference output ( $V_{BB1}$ ,  $V_{BB2}$ ), nominally  $V_{CC} - 1.425V$ . The select inputs accept signals between  $V_{CC}$  and  $V_{EE}$ . Internal 165k $\Omega$  pulldowns to  $V_{EE}$  ensure a low default condition if the select inputs are left open. Leaving SEL0, SEL1, and SEL2 open selects the D0,  $\overline{D0}$  inputs by default.

The differential inputs  $D_{-}$ ,  $\overline{D}_{-}$  can be configured to accept a single-ended signal when the unused complementary input is connected to the on-chip reference voltage ( $V_{BB1}$ ,  $V_{BB2}$ ). Voltage reference outputs  $V_{BB1}$  and  $V_{BB2}$  provide the reference voltage needed for single-ended operations. A single-ended input of at least  $V_{BB_{-}} \pm 100mV$  or a differential input of at least 100mV switches the outputs to the  $V_{OH}$  and  $V_{OL}$  levels specified in the *DC Electrical Characteristics* table. The maximum magnitude of the differential input from  $D_{-}$  to  $\overline{D}_{-}$  is  $\pm 3.0V$ . This limit also applies to the difference between a single-ended input and any reference voltage input.

Table 1. Mux Select Input Truth Table

DATA OUTPUT	SEL0	SEL1	SEL2
D0*	L or open	L or open	L or open
D1	H	L or open	L or open
D2	L or open	H	L or open
D3	H	H	L or open
D4	L or open	L or open	H
D5	H	L or open	H
D6	L or open	H	H
D7	H	H	H

\*Default output when SEL0, SEL1, and SEL2 are left open.

### Single-Ended Operation

The recommended supply voltage for single-ended operation is 3.0V to 3.8V. The differential inputs ( $D_{-}$ ,  $\overline{D}_{-}$ ) can be configured to accept single-ended inputs when operating at supply voltages greater than 2.725V. In single-ended mode operation, the unused complementary input needs to be connected to the on-chip reference voltage,  $V_{BB1}$  or  $V_{BB2}$ , as a reference. For example, the differential  $D_{-}$ ,  $\overline{D}_{-}$  inputs are converted to a noninverting, single-ended input by connecting  $V_{BB1}$  or  $V_{BB2}$  to  $\overline{D}_{-}$  and connecting the single-ended input to  $D_{-}$ . Similarly, an inverting input is obtained by connecting  $V_{BB1}$  or  $V_{BB2}$  to  $D_{-}$  and connecting the single-ended input to  $\overline{D}_{-}$ . The single-ended input can be driven to  $V_{CC}$  or  $V_{EE}$  or with a single-ended LVPECL/LVECL signal.

# Differential 8:1 ECL/PECL Multiplexer with Dual Output Buffers

In single-ended operation, ensure that the supply voltage ( $V_{CC} - V_{EE}$ ) is greater than 2.725V. The input high minimum level must be at least ( $V_{EE} + 1.2V$ ) or higher for proper operation. The reference voltage  $V_{BB}$  must be at least ( $V_{EE} + 1.2V$ ) because it becomes the high-level input when a single-ended input swings below it. The minimum  $V_{BB}$  output for the MAX9389 is ( $V_{CC} - 1.525V$ ). Substituting the minimum  $V_{BB}$  output for ( $V_{BB} = V_{EE} + 1.2V$ ) results in a minimum supply ( $V_{CC} - V_{EE}$ ) of 2.725V. Rounding up to standard supplies gives the recommended single-ended operating supply ranges ( $V_{CC} - V_{EE}$ ) of 3.0V to 5.5V.

When using the  $V_{BB}$  reference output, bypass it with a 0.01 $\mu$ F ceramic capacitor to  $V_{CC}$ . If  $V_{BB}$  is not being used, leave it unconnected. The  $V_{BB}$  reference can source or sink a total of 0.5mA (shared between  $V_{BB1}$  and  $V_{BB2}$ ), which is sufficient to drive eight inputs.

## Applications Information

### Output Termination

Terminate each output with a 50 $\Omega$  to  $V_{CC} - 2V$  or use an equivalent Thevenin termination. Terminate each  $Q_{-}$  and  $\bar{Q}_{-}$  output with identical termination for minimal distortion. When a single-ended signal is taken from the differential output, terminate both  $Q_{-}$  and  $\bar{Q}_{-}$ .

Ensure that the output current does not exceed the current limits specified in the *Absolute Maximum Ratings* table. Under all operating conditions, the device's total thermal limits should not be exceeded.

### Supply Bypassing

Bypass each  $V_{CC}$  to  $V_{EE}$  with high-frequency surface-mount ceramic 0.1 $\mu$ F and 0.01 $\mu$ F capacitors. For PECL, bypass each  $V_{CC}$  to  $V_{EE}$ . For ECL, bypass each  $V_{EE}$  to  $V_{CC}$ . Place the capacitors as close to the device as possible with the 0.01 $\mu$ F capacitor closest to the device pins.

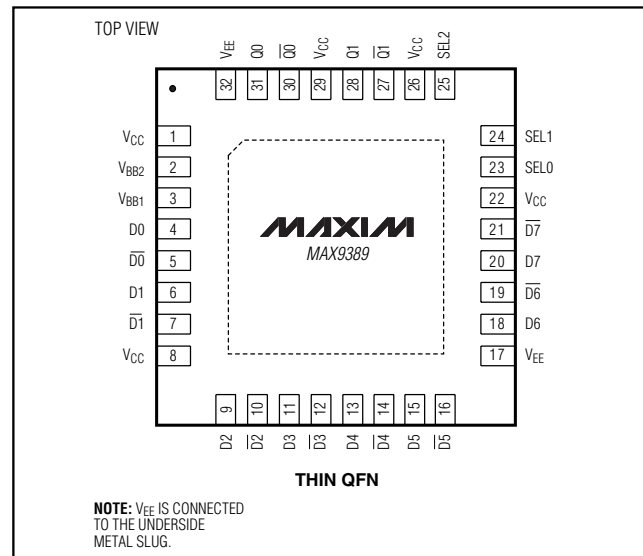
Use multiple vias when connecting the bypass capacitors to ground. When using the  $V_{BB1}$  or  $V_{BB2}$  reference outputs, bypass each one with a 0.01 $\mu$ F ceramic capacitor to  $V_{CC}$ . If the  $V_{BB1}$  or  $V_{BB2}$  reference outputs are not used, they can be left open.

## Traces

Circuit board trace layout is very important to maintain the signal integrity of high-speed differential signals. Maintaining integrity is accomplished in part by reducing signal reflections and skew, and increasing common-mode noise immunity.

Signal reflections are caused by discontinuities in the 50 $\Omega$  characteristic impedance of the traces. Avoid discontinuities by maintaining the distance between differential traces, not using sharp corners or using vias. Maintaining distance between the traces also increases common-mode noise immunity. Reducing signal skew is accomplished by matching the electrical length of the differential traces.

## Pin Configurations (continued)



## Chip Information

TRANSISTOR COUNT: 716

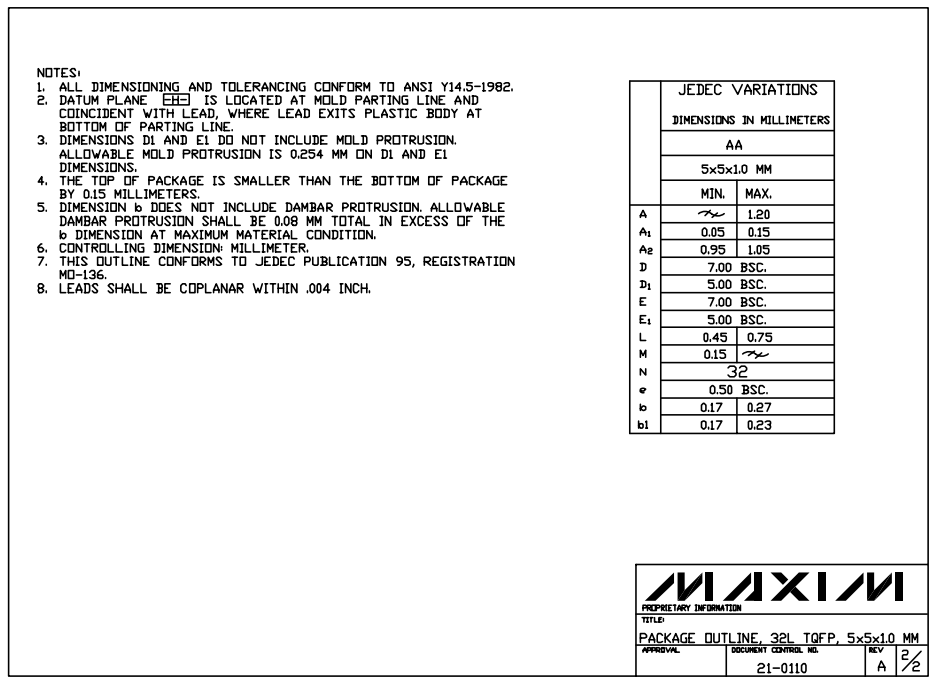
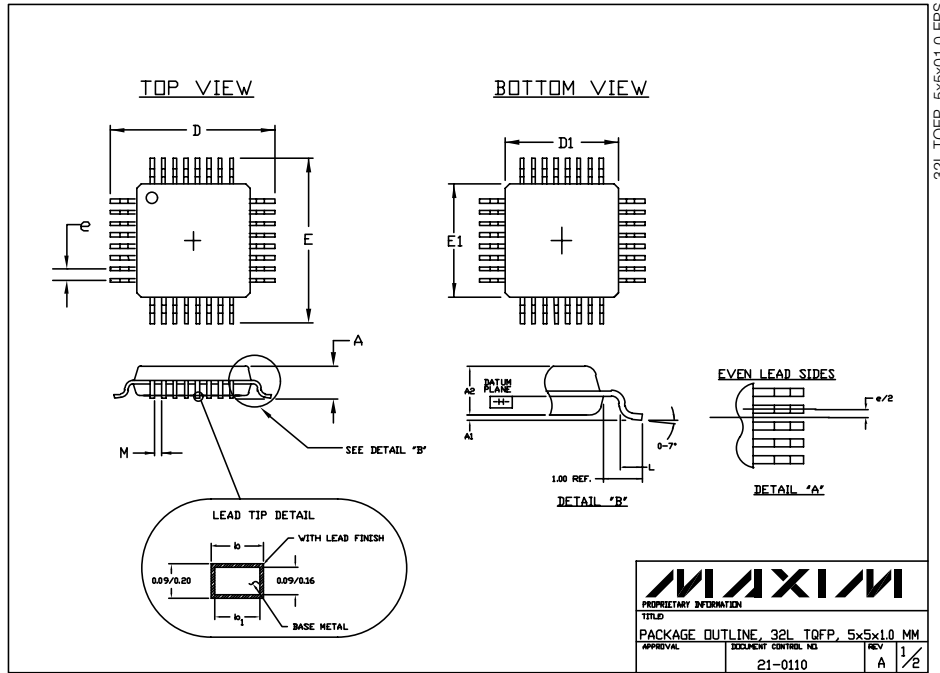
PROCESS: Bipolar

# Differential 8:1 ECL/PECL Multiplexer with Dual Output Buffers

## Package Information

(The package drawing(s) in this data sheet may not reflect the most current specifications. For the latest package outline information, go to [www.maxim-ic.com/packages](http://www.maxim-ic.com/packages).)

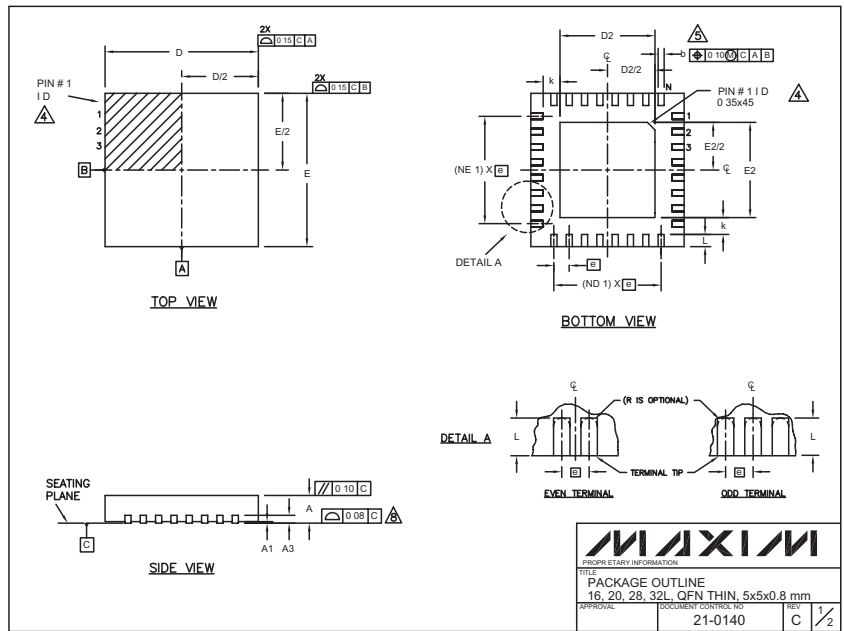
MAX9389



# Differential 8:1 ECL/PECL Multiplexer with Dual Output Buffers

## Package Information (continued)

(The package drawing(s) in this data sheet may not reflect the most current specifications. For the latest package outline information, go to [www.maxim-ic.com/packages](http://www.maxim-ic.com/packages).)



COMMON DIMENSIONS												
PKG. SYMBOL	16L 5x5			20L 5x5			28L 5x5			32L 5x5		
	MIN.	NOM.	MAX.	MIN.	NOM.	MAX.	MIN.	NOM.	MAX.	MIN.	NOM.	MAX.
A	0.70	0.75	0.80	0.70	0.75	0.80	0.70	0.75	0.80	0.70	0.75	0.80
A1	0	0.02	0.05	0	0.02	0.05	0	0.02	0.05	0	0.02	0.05
A3	0.20 REF.			0.20 REF.			0.20 REF.			0.20 REF.		
b	0.25	0.30	0.35	0.25	0.30	0.35	0.20	0.25	0.30	0.20	0.25	0.30
D	4.90	5.00	5.10	4.90	5.00	5.10	4.90	5.00	5.10	4.90	5.00	5.10
E	4.90	5.00	5.10	4.90	5.00	5.10	4.90	5.00	5.10	4.90	5.00	5.10
e	0.80 BSC.			0.65 BSC.			0.50 BSC.			0.50 BSC.		
k	0.25	-	-	0.25	-	-	0.25	-	-	0.25	-	-
L	0.45	0.55	0.65	0.45	0.55	0.65	0.45	0.55	0.65	0.30	0.40	0.50
N	16			20			28			32		
ND	4			5			7			8		
NE	4			5			7			8		
JEDEC	WHHB			WHHC			WHHD-1			WHHD-2		

EXPOSED PAD VARIATIONS							
PKG. CODES	D2			E2			REF.
	MIN.	NOM.	MAX.	MIN.	NOM.	MAX.	
T1855-1	3.00	3.10	3.20	3.00	3.10	3.20	
T2055-2	3.00	3.10	3.20	3.00	3.10	3.20	
T2855-1	3.15	3.25	3.35	3.15	3.25	3.35	
T2855-2	2.80	2.70	2.80	2.80	2.70	2.80	
T3255-2	3.00	3.10	3.20	3.00	3.10	3.20	

**NOTES**

- DIMENSIONING & TOLERANCING CONFORM TO ASME Y14.5M 1994
- ALL DIMENSIONS ARE IN MILLIMETERS. ANGLES ARE IN DEGREES
- N IS THE TOTAL NUMBER OF TERMINALS
- THE TERMINAL #1 IDENTIFIER AND TERMINAL NUMBERING CONVENTION SHALL CONFORM TO JEDEC 95.1 SPP 012. DETAILS OF TERMINAL #1 IDENTIFIER ARE OPTIONAL, BUT MUST BE LOCATED WITHIN THE ZONE INDICATED. THE TERMINAL #1 IDENTIFIER MAY BE EITHER A MOLD OR MARKED FEATURE
- DIMENSION b APPLIES TO METALLIZED TERMINAL AND IS MEASURED BETWEEN 0.25 mm AND 0.30 mm FROM TERMINAL TIP
- ND AND NE REFER TO THE NUMBER OF TERMINALS ON EACH D AND E SIDE RESPECTIVELY
- DEPOPULATION IS POSSIBLE IN A SYMMETRICAL FASHION
- COPLANARITY APPLIES TO THE EXPOSED HEAT SINK SLUG AS WELL AS THE TERMINALS
- DRAWING CONFORMS TO JEDEC MO220
- WARPAGE SHALL NOT EXCEED 0.10 mm

**MAXIM**

PROPRIETARY INFORMATION

TITLE: PACKAGE OUTLINE  
16, 20, 28, 32L, QFN THIN, 5x5x0.8 mm

APPROVAL:      DOCUMENT CONTROL NO: 21-0140      REV: C 2/2

Maxim cannot assume responsibility for use of any circuitry other than circuitry entirely embodied in a Maxim product. No circuit patent licenses are implied. Maxim reserves the right to change the circuitry and specifications without notice at any time.

10 **Maxim Integrated Products, 120 San Gabriel Drive, Sunnyvale, CA 94086 408-737-7600**