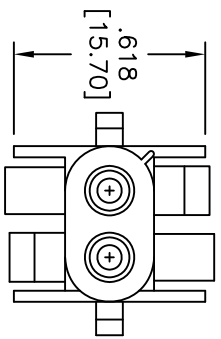
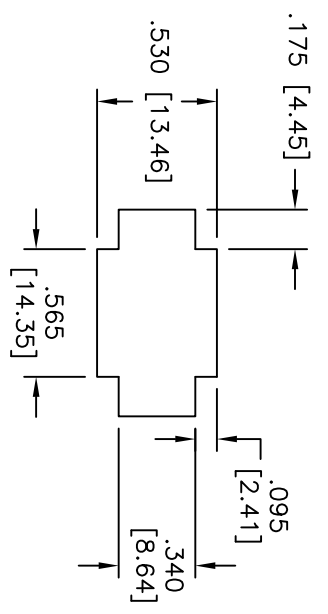
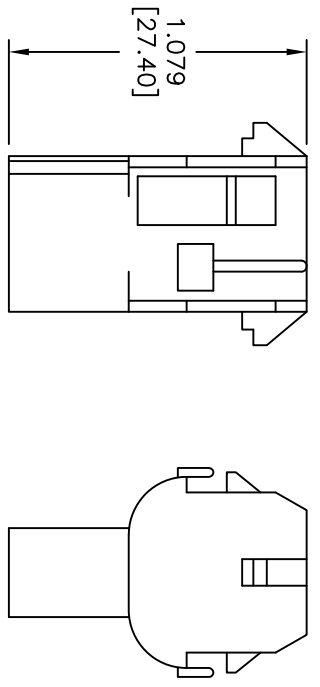
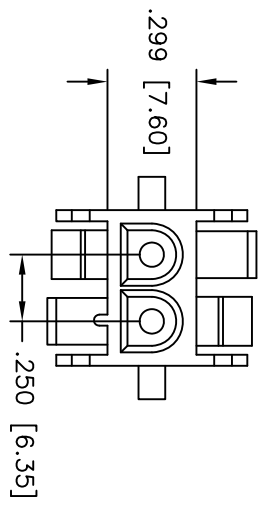


Rev	AWO #	Description	Date	Appr
-		RELEASED	11/19/10	

APPROVED: \_\_\_\_\_  
 DATE: \_\_\_\_\_ TITLE: \_\_\_\_\_



RECOMMENDED PANEL HOLE

**SPECIFICATIONS:**

**Material:**  
 Insulator: Thermoplastic, rated UL94V-2  
 Insulator color: Natural  
 Contact: Copper Alloy  
**Electrical:**  
 Current rating: 13A  
 Voltage rating: 600V  
 Insulation resistance: 1,000 Mohms min.  
 Withstand voltage: 5000V AC/ minute  
 Temperature range: -55°C to +105°C  
**Environmental:**  
 Lead free, RoHS compliant.

UNLESS OTHERWISE SPECIFIED ALL DIMENSIONS ARE INCHES [MM]	
TOLERANCES: EXCEPT AS NOTED	HOLDS
.X ± .10	ØX ± .10
.XX ± .020	ØXX ± .015
.XXX ± .015	ØXXX ± .010
APPROVALS	DATE
DRAWN	DY 11/19/10
CHECKED	
APPROVED	

**ADAM TECH**  
 909 Rahway Avenue, Union, NJ 07083  
 Phone: 908-687-5000 Fax: 908-687-5710

TITLE	.250 [6.35] WIRE TO WIRE, FEMALE, 2 POLES	
SIZE	PART NO.	REV.
X	DME-F-02	-
REF: S00004T	SCALE: NTS	SHEET 1 OF 1

6 5 4 3 2 1