

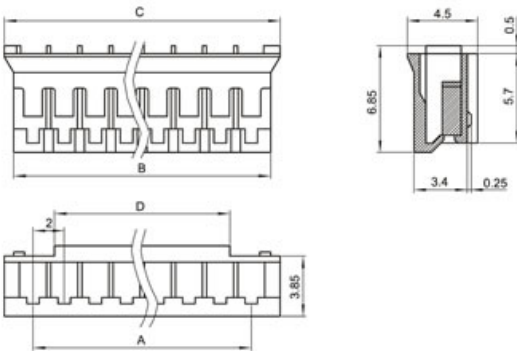
SPECIFICATIONS

Unit:mm

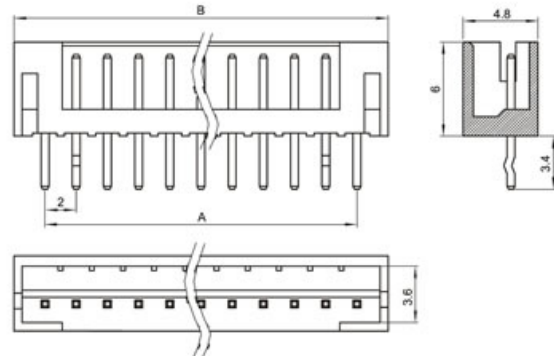
- ◇ Poles: 2~16
- ◇ Applicable wire: AWG#24-#30
- ◇ Voltage rating: 250V DC/AC
- ◇ Current rating: 2.0A
- ◇ Withstand voltage: 800V AC
- ◇ Working Temperature: -25°C~+85°C
- ◇ Insulation resistance: ≥ 1000MΩ
- ◇ Contact resistance: ≤ 0.01Ω
- ◇ Applicable PC board thickness: 0.6~1.2mm

UL:Recognized No.E309635
RoHS-specification and Halogen-free products

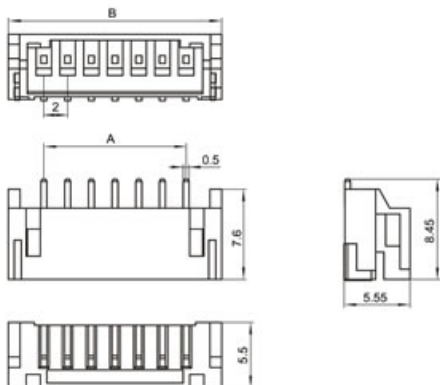
PH-nY



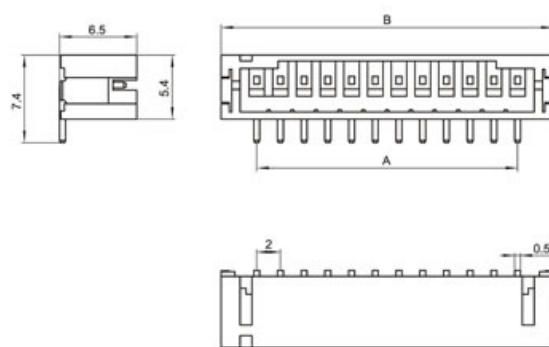
PH-na



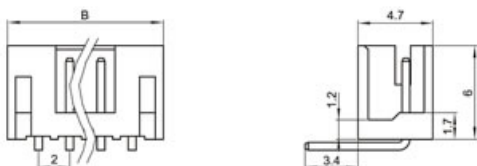
PH-na 卧贴



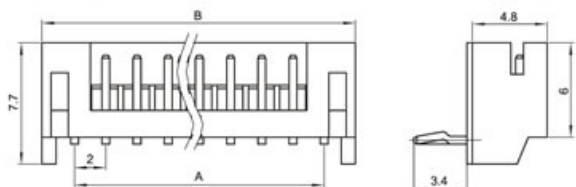
PH-na 立贴



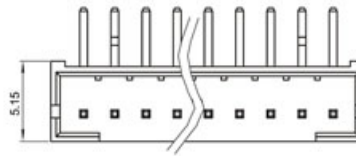
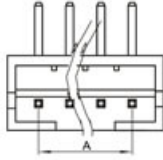
PH-nAW



PH-nAWD

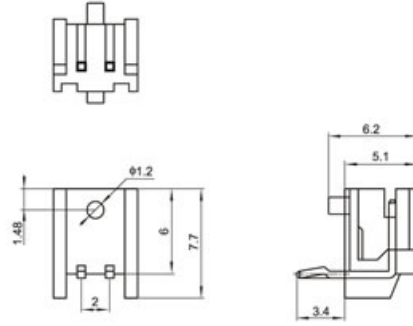
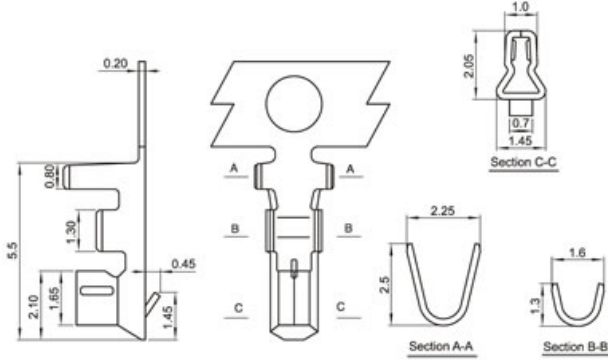


Unit:mm



PH-PT

PH-nA 泡钉



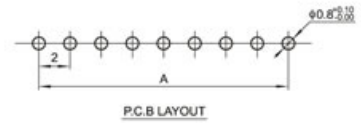
Terminal(PH)

Type	Applicable wires		O.D of wire ins	Material	Finish
	mm ²	AWG#	mm		
BM-PH	0.08-0.3	28-22	1.2-1.9	Phos.bronze	Tin-plated



Poles	Type	Size(mm)			
		A	B	C	D
2	PH-2Y	2.0	4.7	5.9	0.9
3	PH-3Y	4.0	6.7	7.9	1.4
4	PH-4Y	6.0	8.7	9.9	3.4
5	PH-5Y	8.0	10.7	11.9	5.4
6	PH-6Y	10.0	12.7	13.9	7.4
7	PH-7Y	12.0	14.7	15.9	9.4
8	PH-8Y	14.0	16.7	17.9	11.4
9	PH-9Y	16.0	18.7	19.9	13.4
10	PH-10Y	18.0	20.7	21.9	15.4
11	PH-11Y	20.0	22.7	23.9	17.4
12	PH-12Y	22.0	24.7	25.9	19.4
13	PH-13Y	24.0	26.7	27.9	21.4
14	PH-14Y	26.0	28.7	29.9	23.4
15	PH-15Y	28.0	30.7	31.9	25.4
16	PH-16Y	30.0	32.7	33.9	27.4

Poles	Type	Size(mm)	
		A	B
2	PH-2A	2.0	6.0
3	PH-3A	4.0	8.0
4	PH-4A	6.0	10.0
5	PH-5A	8.0	12.0
6	PH-6A	10.0	14.0
7	PH-7A	12.0	16.0
8	PH-8A	14.0	18.0
9	PH-9A	16.0	20.0
10	PH-10A	18.0	22.0
11	PH-11A	20.0	24.0
12	PH-12A	22.0	26.0
13	PH-13A	24.0	28.0
14	PH-14A	26.0	30.0
15	PH-15A	28.0	32.0
16	PH-16A	30.0	34.0



点击次数: 8099 发布时间: 2010-6-14 [【打印】](#) [【返回】](#)

产品订购