

PLEASE CHECK WWW.MOLEX.COM FOR LATEST PART INFORMATION

Part Number: [0473092285](#)
Status: **Active**
Overview: [microSD Memory Card Connector](#)
Description: 1.10mm Pitch microSD Card Header with Detect Pin, Height 2.85mm, Lead-Free, Gold (Au) Plated 0.762µm

Documents:

[3D Model](#) [Product Specification PS-47309-001-001 \(PDF\)](#)
[Drawing \(PDF\)](#) [RoHS Certificate of Compliance \(PDF\)](#)

General

Product Family	Memory Card Sockets
Series	47309
Comments	Push-Pull Type, Push-Pull Type
Overview	microSD Memory Card Connector
Product Name	microSD Card
Style	Guide and Holder
UPC	884982415737

Physical

Card Detection Switch	Open
Card Entry Location	Front
Circuits (Loaded)	8
Circuits (maximum)	8
Color - Resin	Black
Durability (mating cycles max)	10000
Ejector Button Side	N/A
Material - Contact	Copper Alloy
Material - Plating Mating	Gold over Nickel
Material - Plating Termination	Gold
Material - Resin	High Temperature Thermoplastic
Material - Shell	Stainless Steel
Net Weight	377.000/mg
PCB Locator	No
PCB Retention	Yes
Packaging Type	Embossed Tape on Reel
Pitch - Mating Interface	1.10mm
Pitch - Termination Interface	1.10mm
Temperature Range - Operating	-40° to +85°C
Termination Interface: Style	Surface Mount

Electrical

Current - Maximum per Contact	0.5A
Shielded	Yes
Voltage - Maximum	5V DC

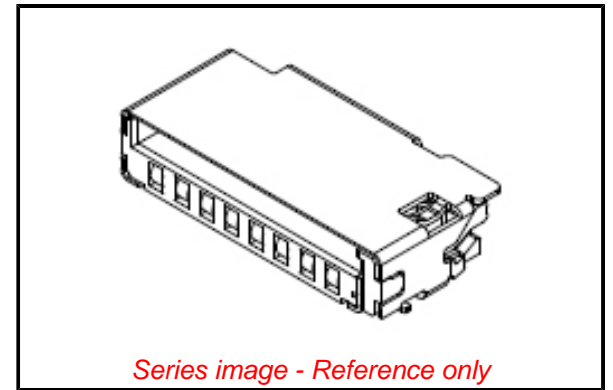
Solder Process Data

Duration at Max. Process Temperature (seconds)	003
Lead-freeProcess Capability	REFLOW
Max. Cycles at Max. Process Temperature	002
Process Temperature max. C	255

Material Info

Reference - Drawing Numbers

Product Specification	PS-47309-001-001
Sales Drawing	SD-47309-201-000



EU ELV

Not Relevant

EU RoHS

Compliant

REACH SVHC

Not Contained Per -
ED/30/2017 (7 July
2017)

Halogen-Free

Status

Low-Halogen

For more information, please visit [Contact US](#)

China ROHS

ELV

RoHS Phthalates

China RoHS

Green Image

Not Relevant

Not Contained

Search Parts in this Series

[47309 Series](#)

Mates With

Standard SIM Card

Use With

microSD Card

This document was generated on 02/11/2019

PLEASE CHECK WWW.MOLEX.COM FOR LATEST PART INFORMATION