

DETAILS

Product Number	CA14602_VERONICA-SQ-MINI-O
Family	Veronica
Type	Assembly
Color	clear
Diameter	13,9+13,9 mm
Height	8,86 mm
Style	square
Optic Material	PMMA
Holder Material	
Fastening	tape, pin
Status	production ready
ROHS Compliant	Yes
Date Updated	5/01/2018



OPTICAL PROPERTIES

LED	Viewing	Light	Effi-		Connector
	Angle	Beam	ciency	cd/lm	
XP-E2	42+14 deg	Oval	92 %	3.800	-
XD16	41+18 deg	Oval	89 %	2.200	-
LUXEON Rebel	42+20 deg	Oval	90 %	2.100	-
LUXEON TX	42+22 deg	Oval	90 %	2.060	-
LUXEON Rebel ES	50+23 deg	Oval	80 %	2.100	-
LUXEON Z ES	sim: 53+16	Oval	sim: 92 %	sim: 2.600	-
NVSxx19B/NVSxx19C	41+23 deg	Oval	90 %	1.900	-
Oslon Square Gen3	sim: 48+20	Oval	sim: 81 %	sim: 2.000	-
Oslon Square EC	42+20 deg	Oval	89 %	2.150	-
Z8Y22P	46+23 deg	Oval	90 %	1.500	-

D

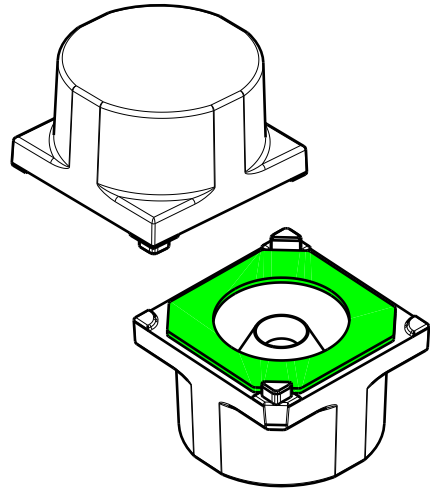
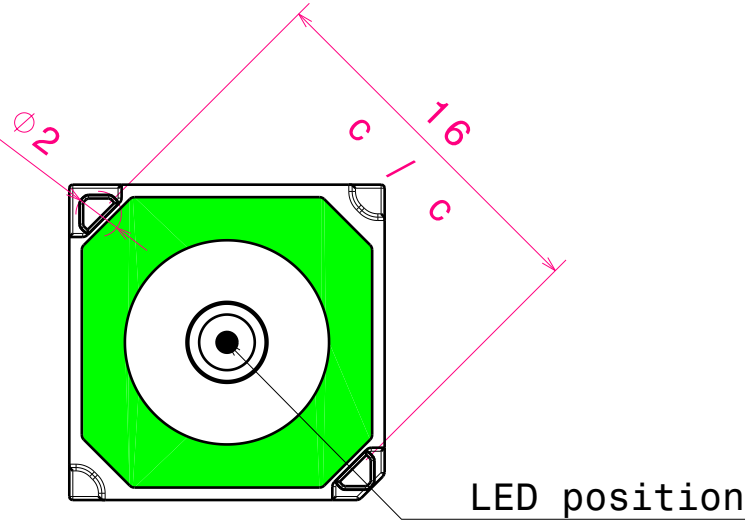
C

B

A

4

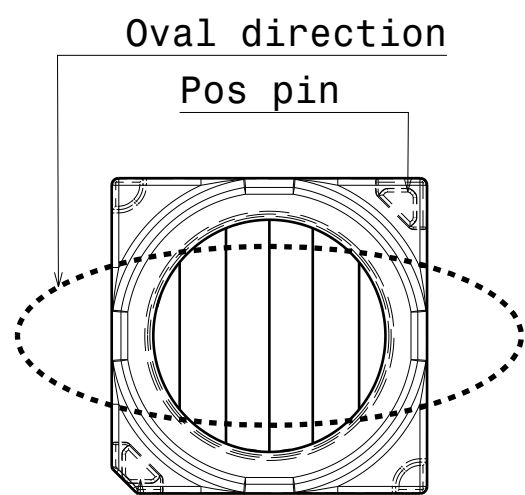
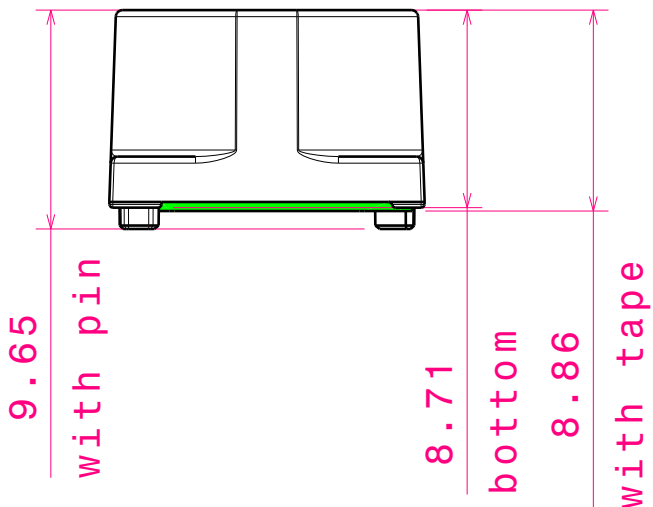
4



Isometric view
Scale: 2:1

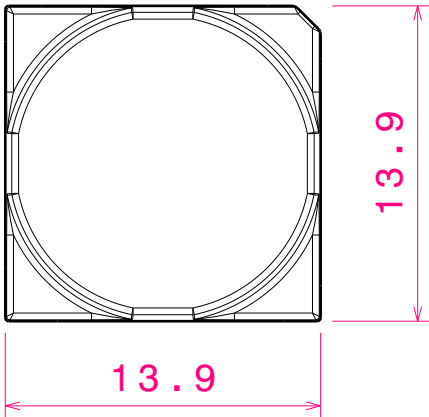
3

3



2

2



Pos pin
Oval version
TOP VIEW

INDEX	DESCRIPTION
1	VERONICA-SQ-MINI-TAPE
2	VERONICA-SQ-MINI

Tolerances if not otherwise shown
According to DIN ISO 2768-1
Linear measures:
up to 30mm class M, otherwise class C
According to DIN ISO 2768-2
Form and position: class L

LEDiL Ledil Oy
Salorankatu 10
FIN 24240 SALO
Finland

THIRD ANGLE PROJECTION:

DRAWING TITLE
VERONICA-SQ-MINI

This drawing is the property of LEDiL Oy. It may not be reproduced, copied or communicated without a written agreement with LEDiL Oy.

SIZE PART NUMBER
A4 -

SCALE 3:1 WEIGHT SHEET 1/1

D

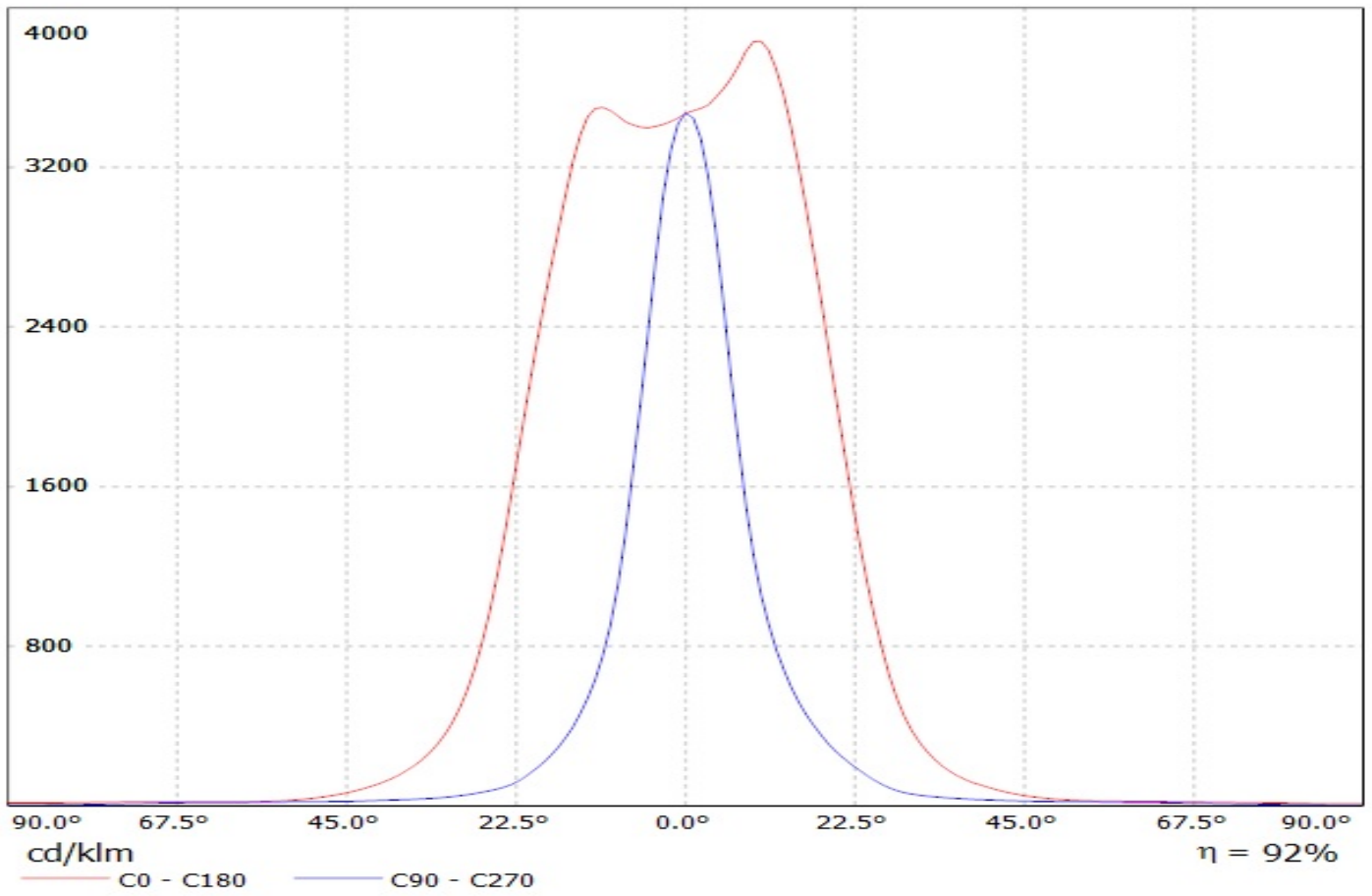
A

1

1

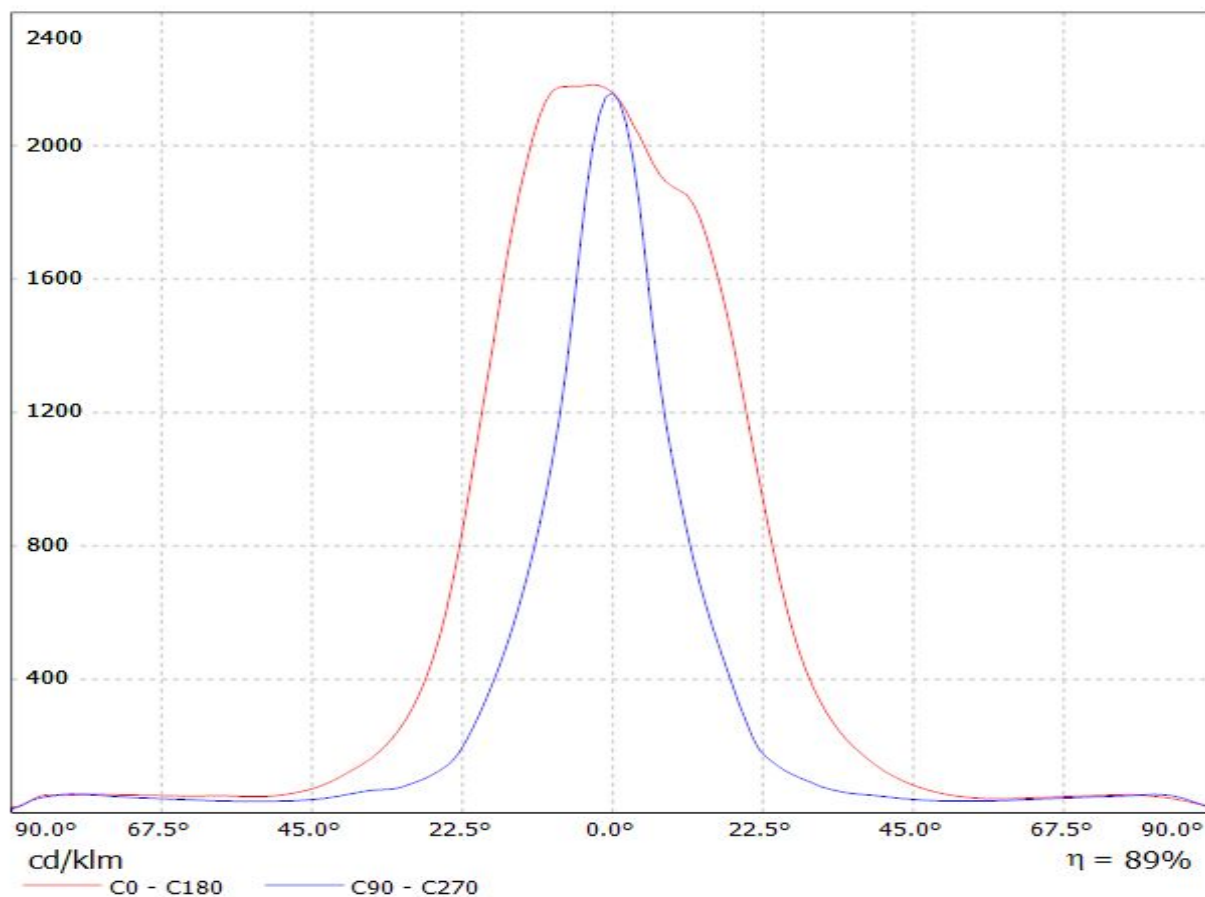
Luminaire: LEDiL Oy CA14602_VERONICA-SQ-MINI-O_(XP-E2)_Cav12

Lamps: 1 x Cree_XP-E2_(XPEBWT-L1-7B4-Q4-0-01)_79.3679lm@250mA_P=0.752749W_I=0.2499A



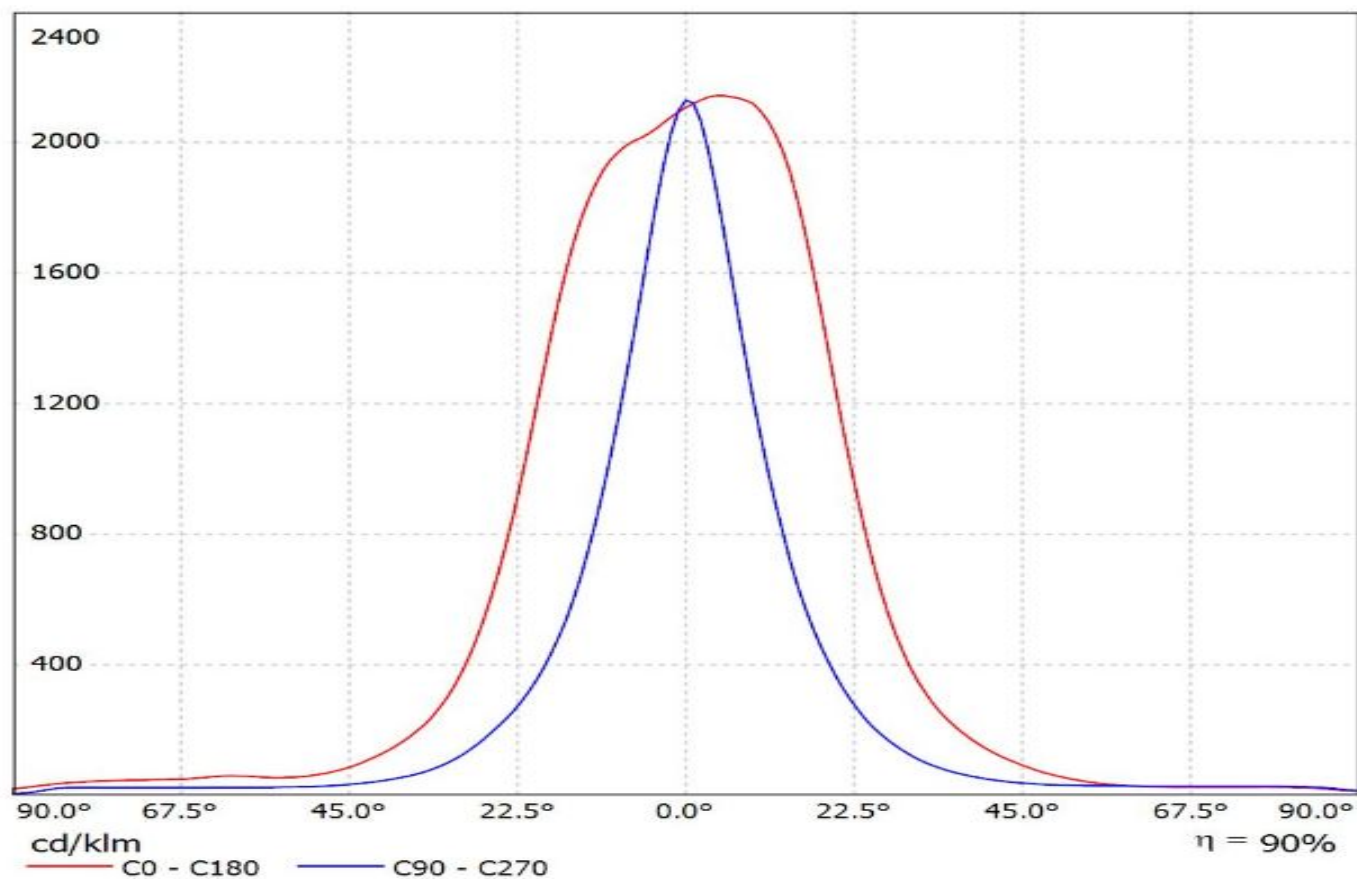
Luminaire: LEDiL Oy CA14602_VERONICA-SQ-MINI-O_(XD16)

Lamps: 1 x Cree_XD16_(XD16AWT-H-2B0-S20-0B-002)_115.272lm@250mA_CCT=5700K_P=0.707833W_U=2.8336V

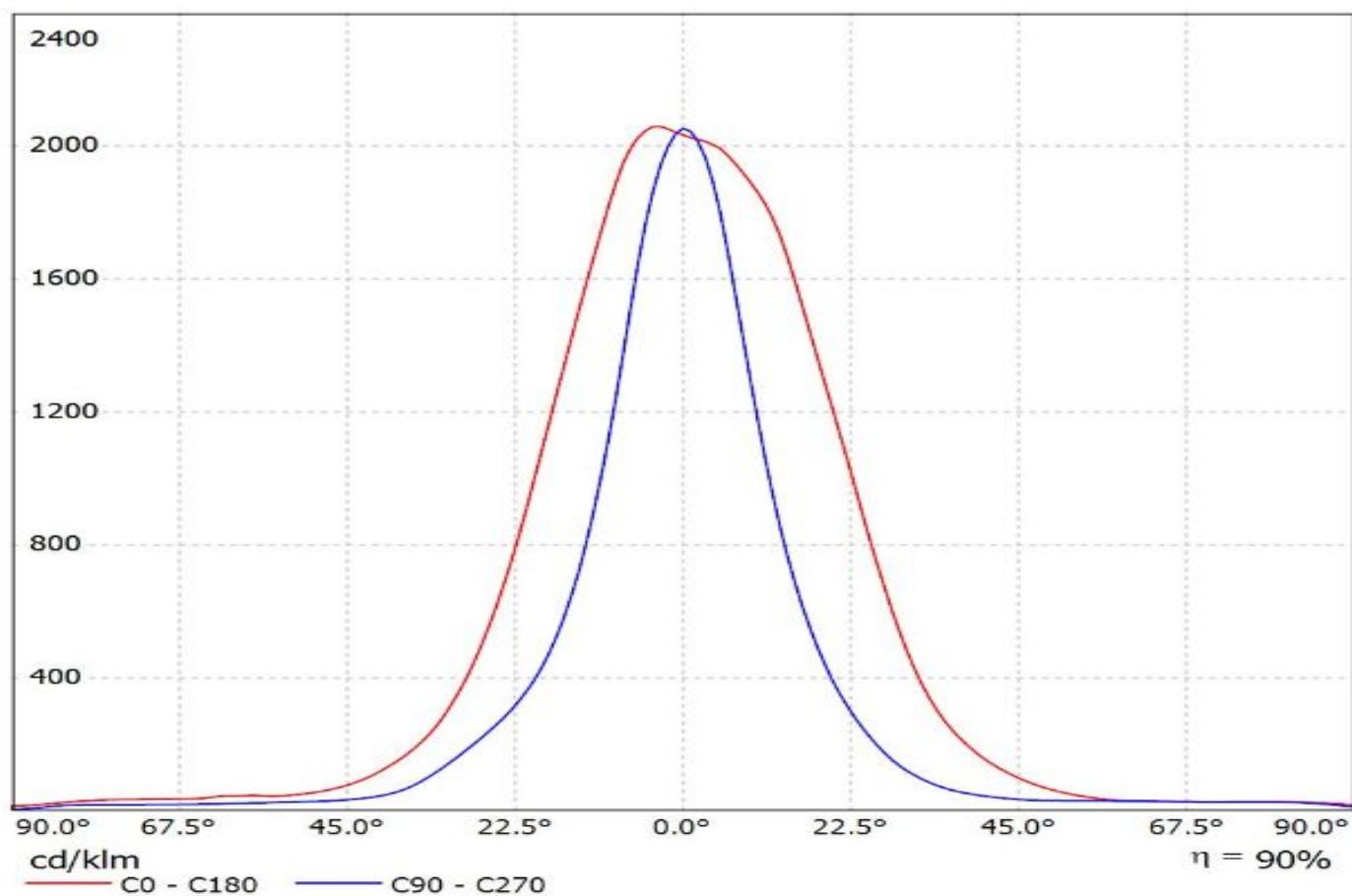


Luminaire: Ledil CA14602-Veronica-SQ-Mini-O_(REBEL)

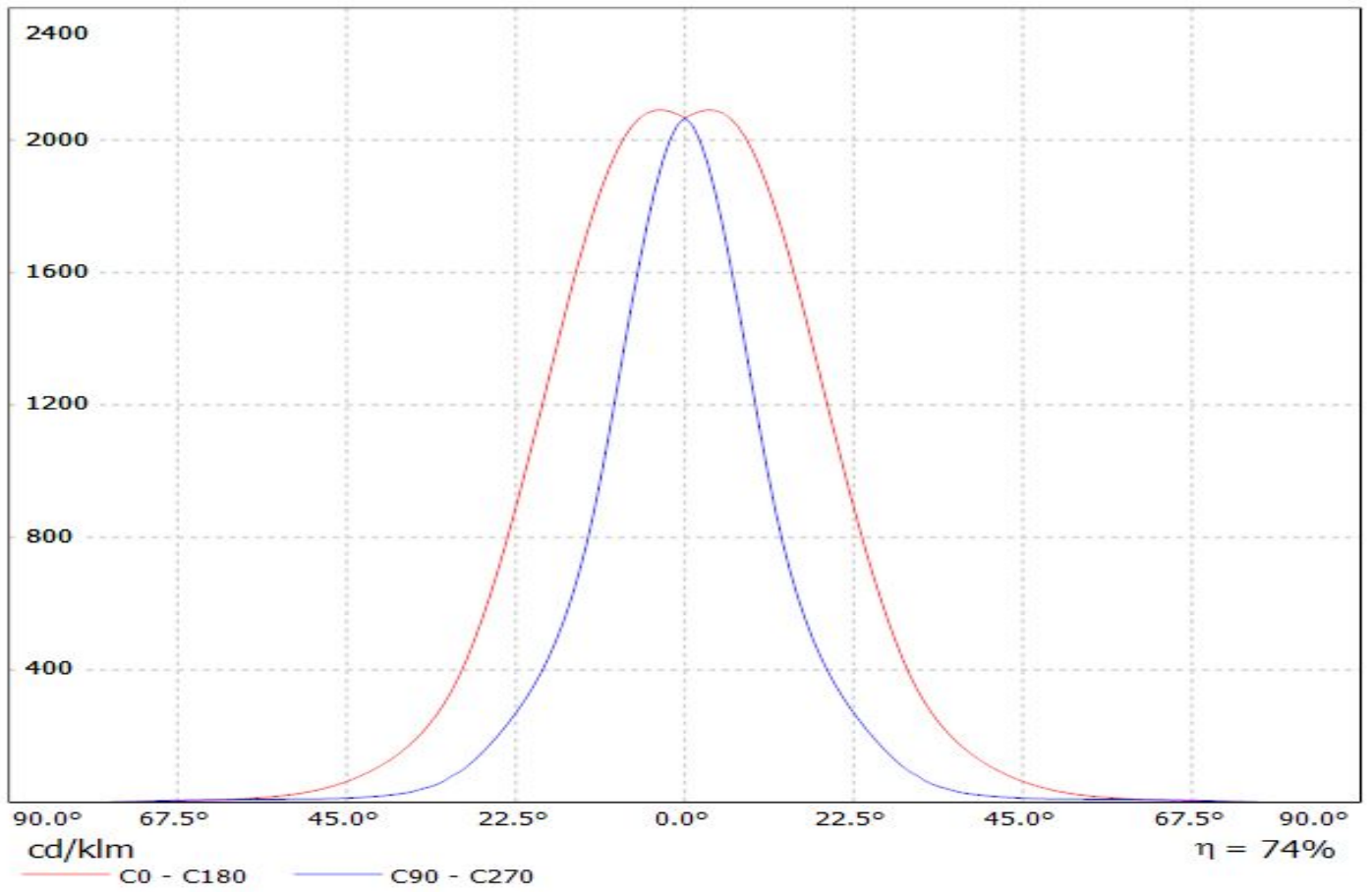
Lamps: 1 x Luxeon_Rebel_(LXM8-PW30)_62.4512lm@250mA_P=0.7303W_I=0.25A



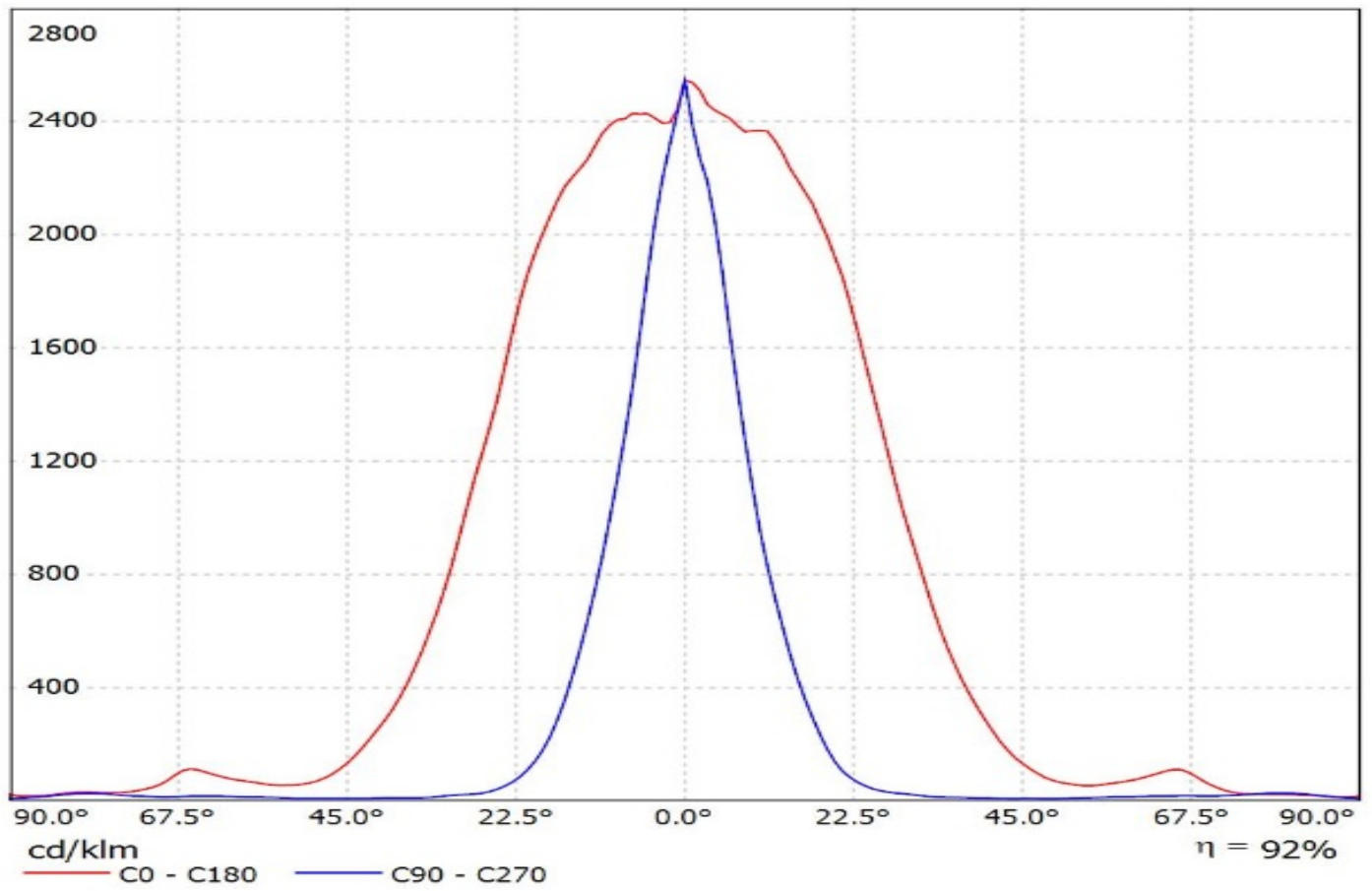
Luminaire: Ledil CA14602_VERONICA-SQ-MINI-O_(Luxeon_TX)
Lamps: 1 x Luxeon_TX_(L1T2-3585)_83.3743lm@250mA_P=0.7475W_I=0.25A



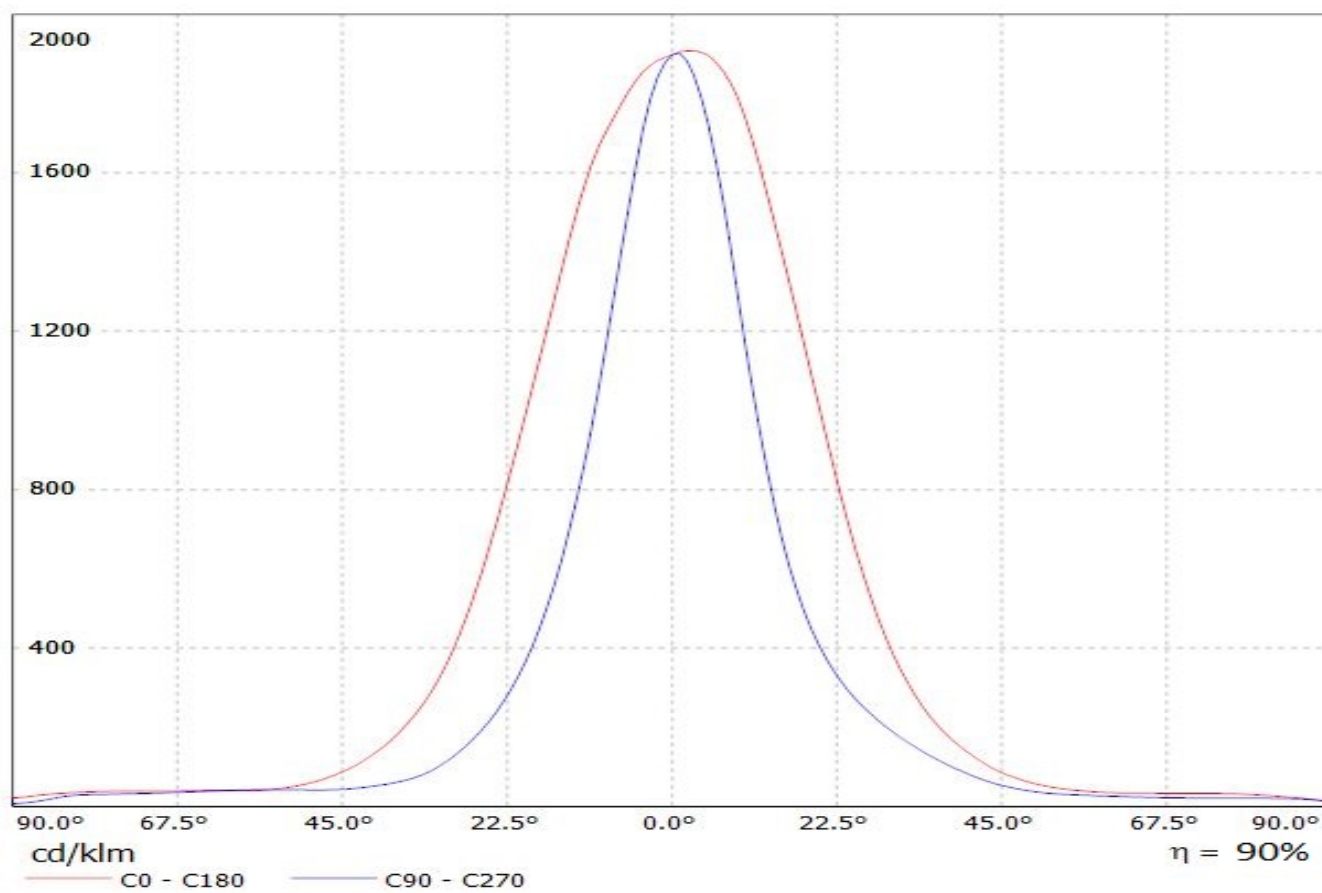
Luminaire: LEDiL Oy
Lamps: 1 x CA14602_VERONICA-SQ-MINI-O_(REBEL-ES)



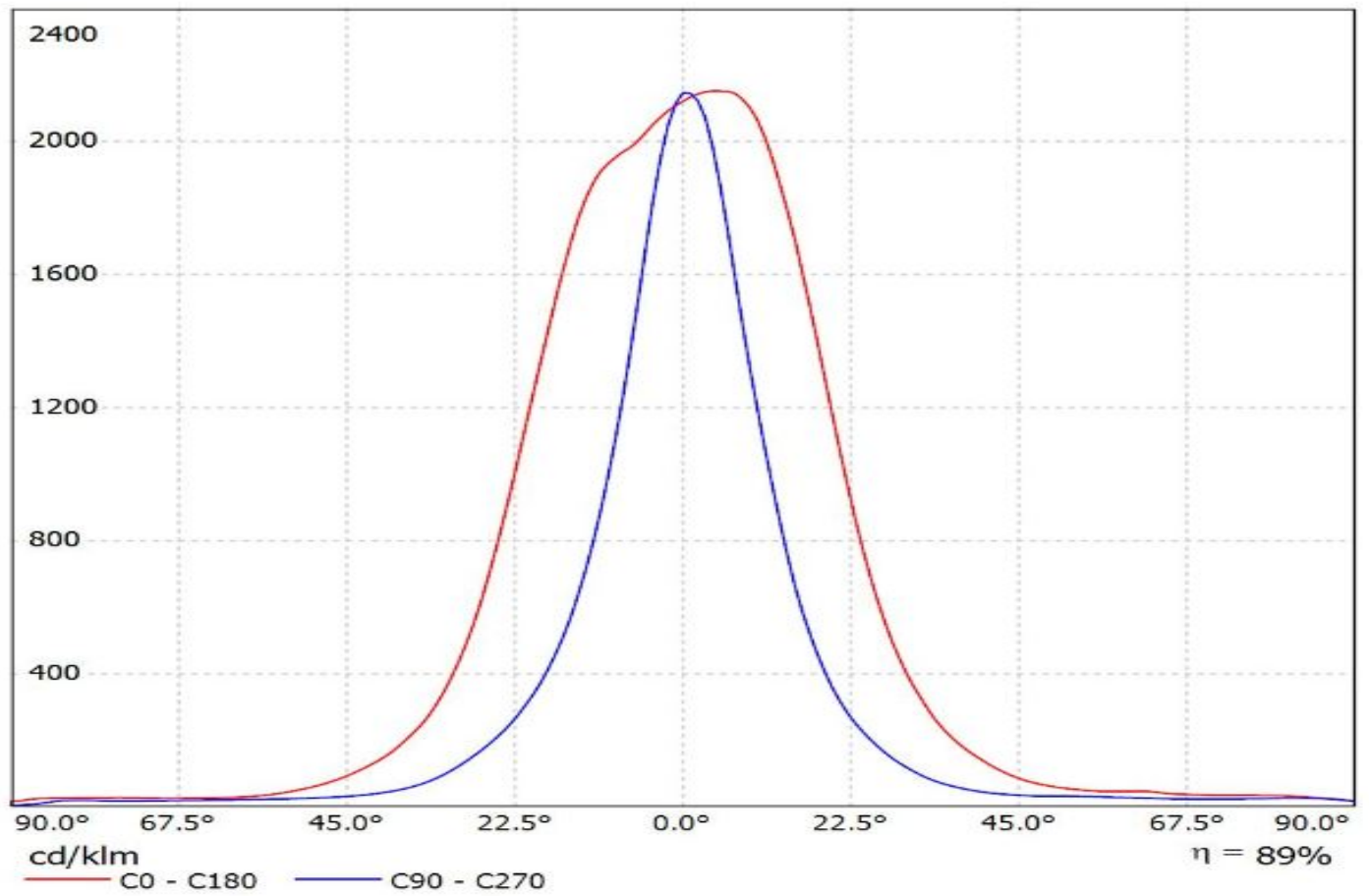
Luminaire: Ledil Oy CA14602_VERONICA-SQ-MINI-O_(Luxeon_Z_ES)_SIMULATED
Lamps: 1 x Lumileds Luxeon Z ES



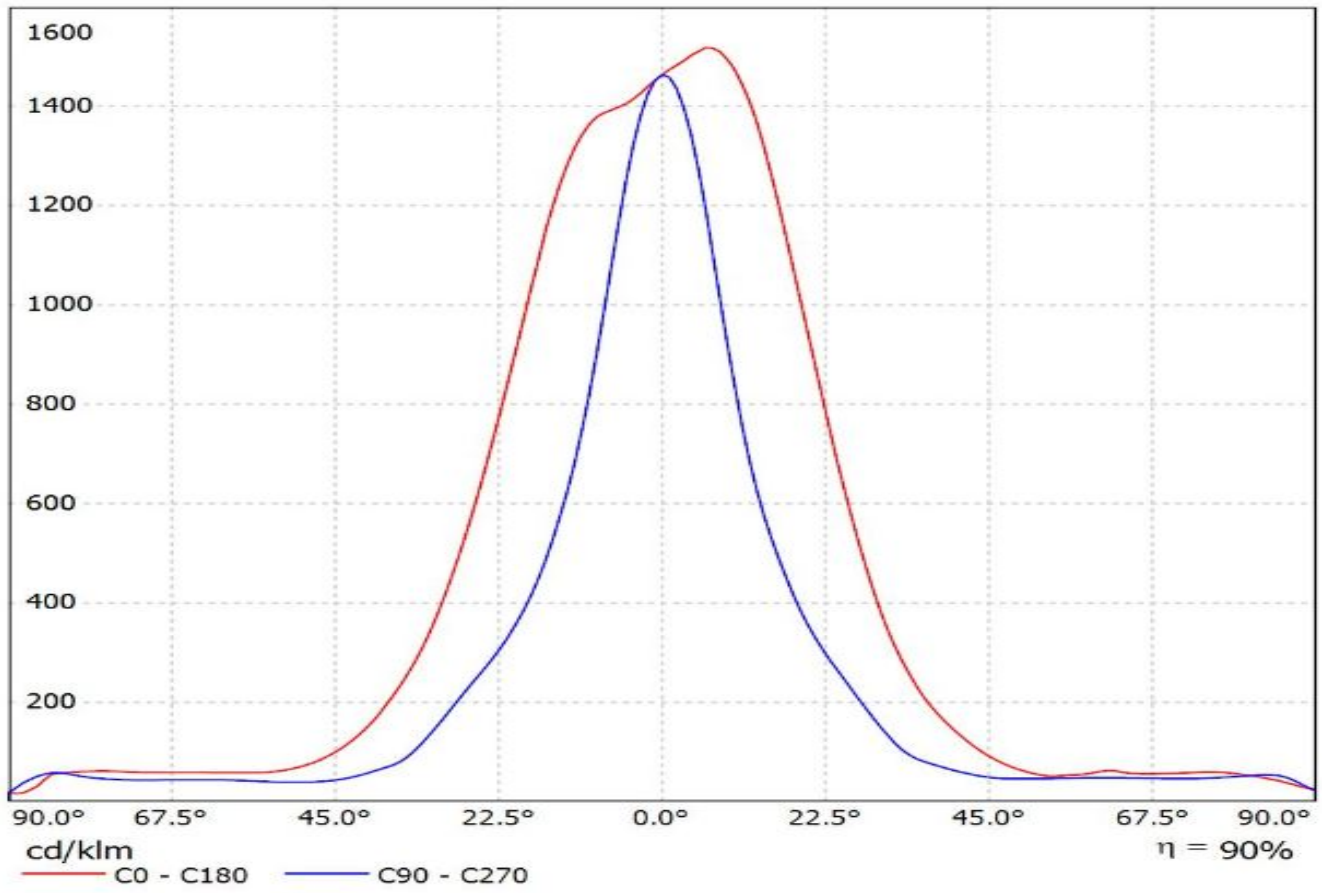
Luminaire: LEDiL Oy CA14602 VERONICA-SQ-MINI-O_(NVSL219CE)
Lamps: 1 x Nichia_NVSL219CE_101.052lm@250mA_P=0.713154W_I=0.25A



Luminaire: Ledil CA14602_VERONICA-SQ-MINI-O_(Oslon_Square)
Lamps: 1 x Osram_Oslon_Square_(GWCSSRM1.3M)_72.2595lm@250mA_P=0.7303W_I=0.25A

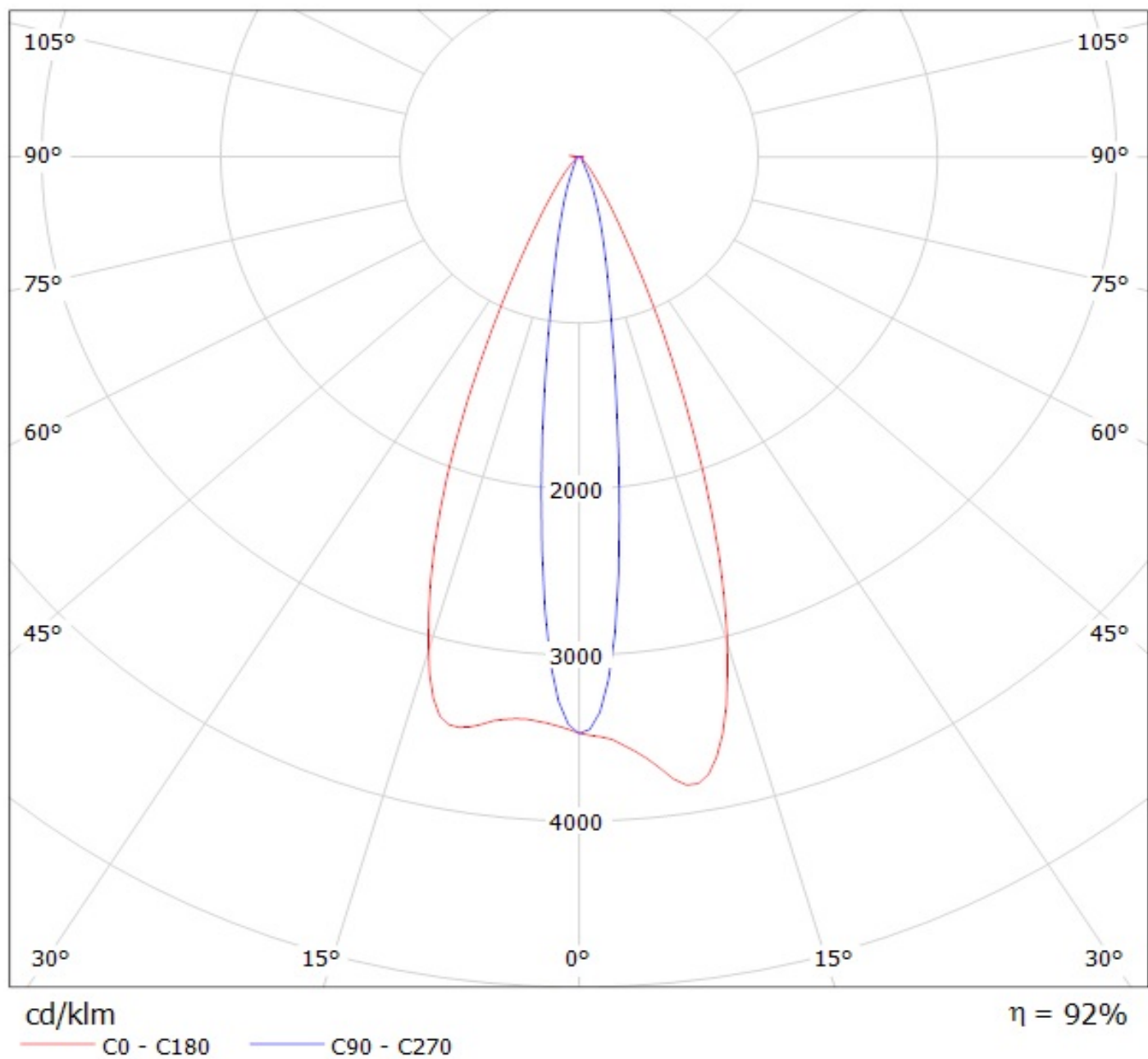


Luminaire: LEDiL Oy CA14602_VERONICA-SQ-MINI-O_(Z8Y22plus)
Lamps: 1 x Seoul_Z8Y22plus_(W6E2G)_125.652lm@250mA_P=0.69312W_I=0.250A



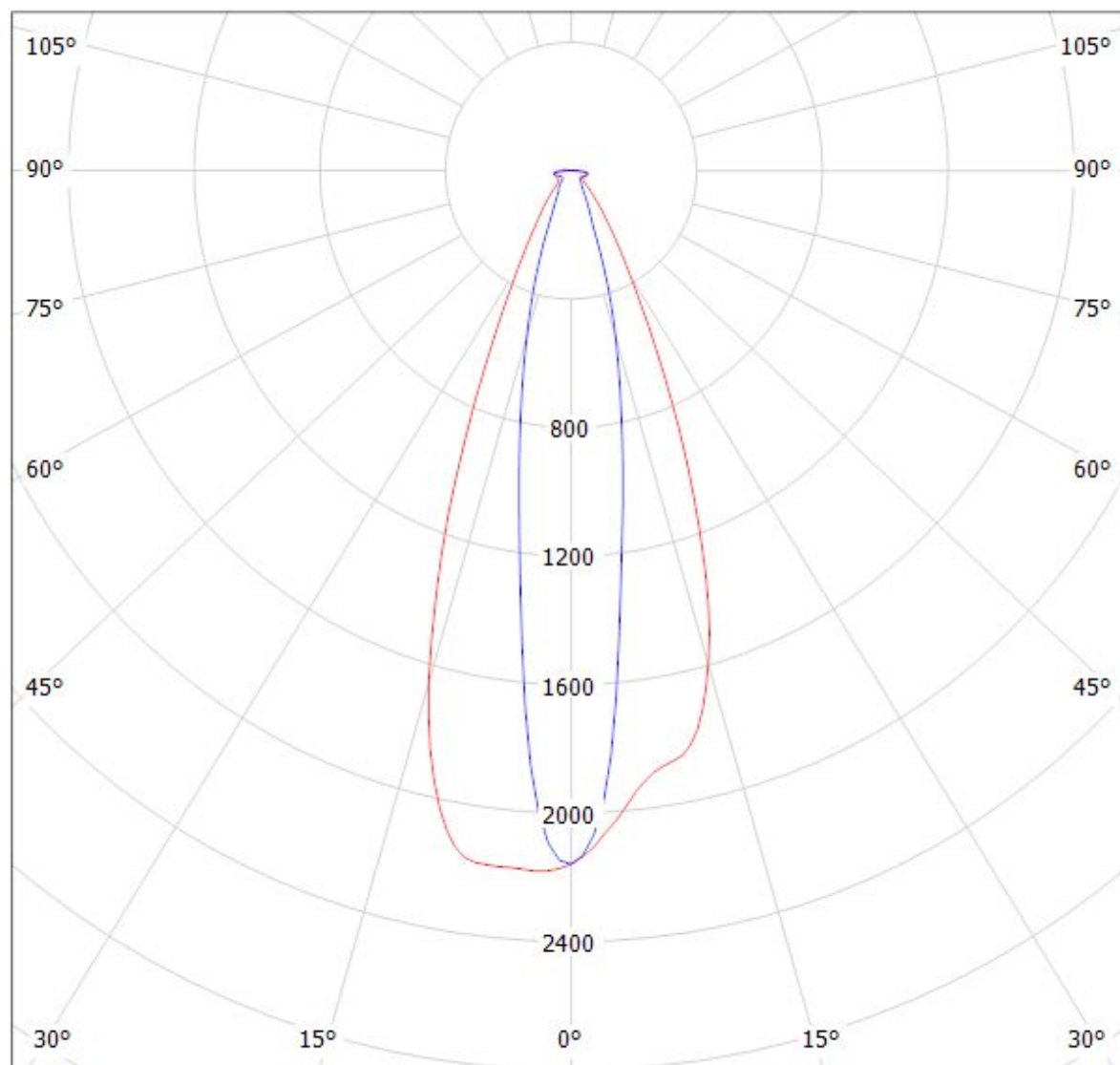
Luminaire: LEDiL Oy CA14602_VERONICA-SQ-MINI-O_(XP-E2)_Cav12

Lamps: 1 x Cree_XP-E2_(XPEBWT-L1-7B4-Q4-0-01)_79.3679lm@250mA_P=0.752749W_I=0.2499A



Luminaire: LEDiL Oy CA14602_VERONICA-SQ-MINI-O_(XD16)

Lamps: 1 x Cree_XD16_(XD16AWT-H-2B0-S20-0B-002)_115.272lm@250mA_CCT=5700K_P=0.707833W_U=2.8336V



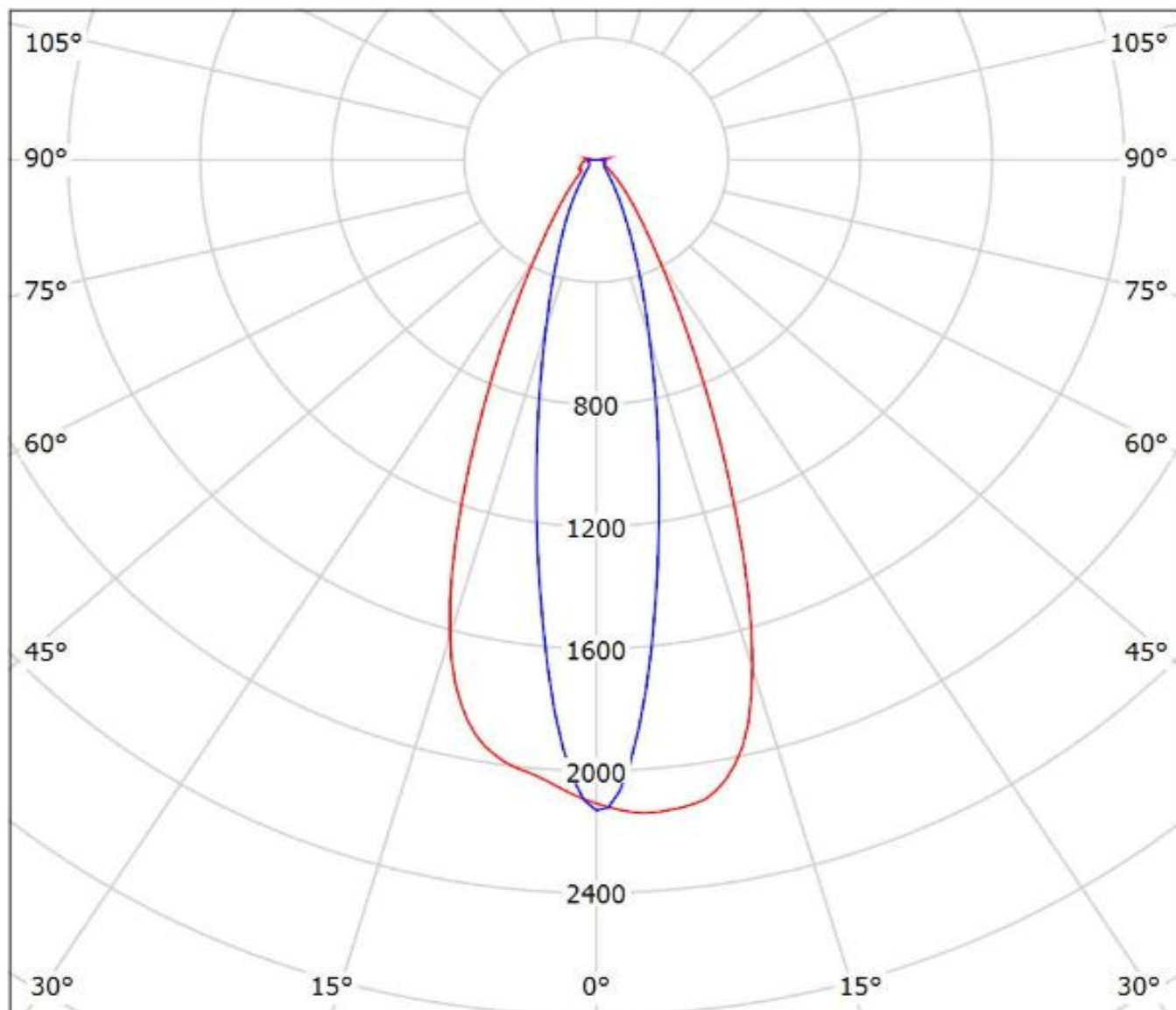
cd/klm

$\eta = 89\%$

— C0 - C180 — C90 - C270

Luminaire: Ledil CA14602-Veronica-SQ-Mini-O_(REBEL)

Lamps: 1 x Luxeon_Rebel_(LXM8-PW30)_62.45lm@250mA_P=0.7303W_I=0.25A



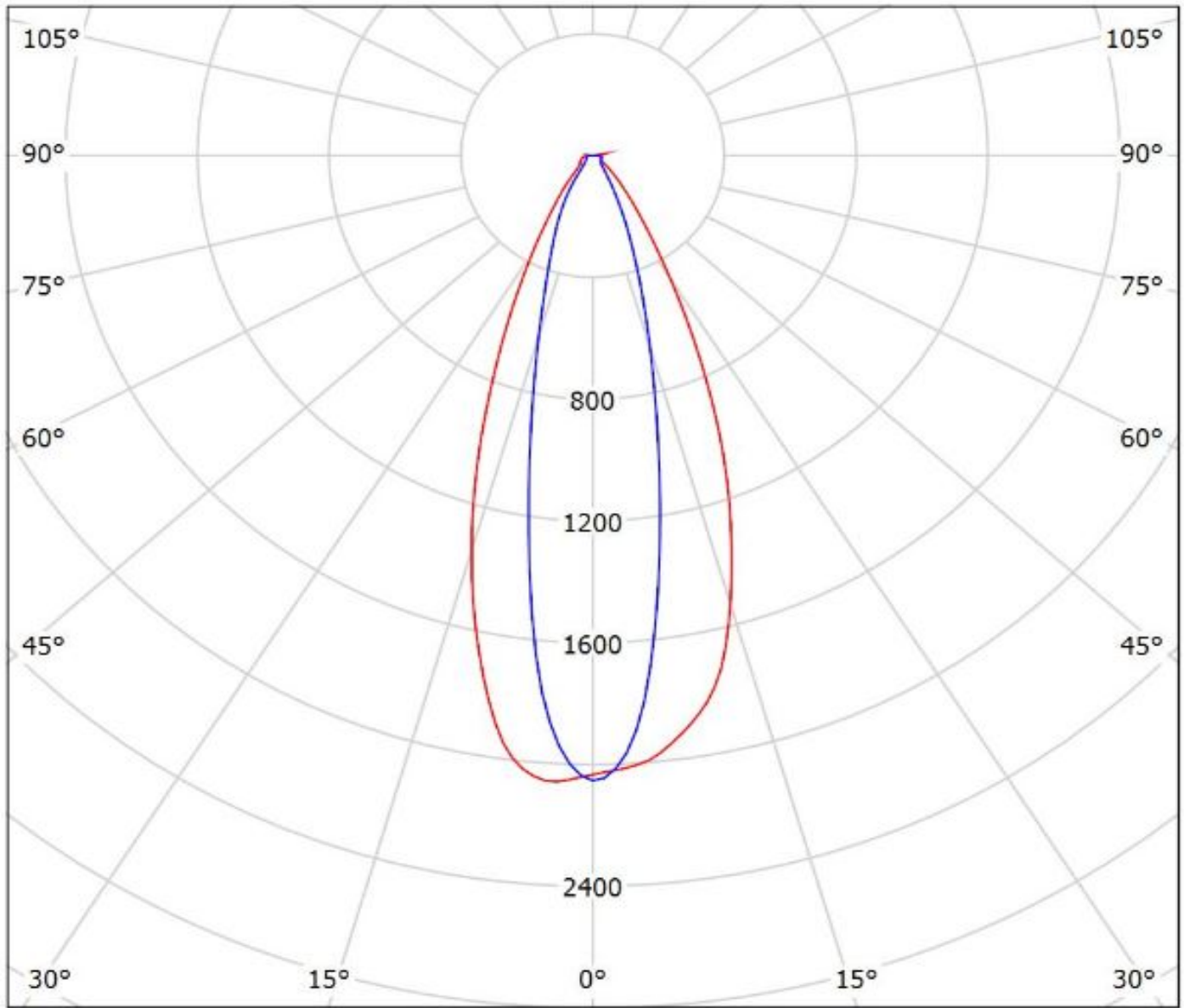
cd/klm

— C0 - C180 — C90 - C270

$\eta = 90\%$

Luminaire: Ledil CA14602_VERONICA-SQ-MINI-O_(Luxeon_TX)

Lamps: 1 x Luxeon_TX_(L1T2-3585)_83.3743lm@250mA_P=0.7475W_I=0.25A



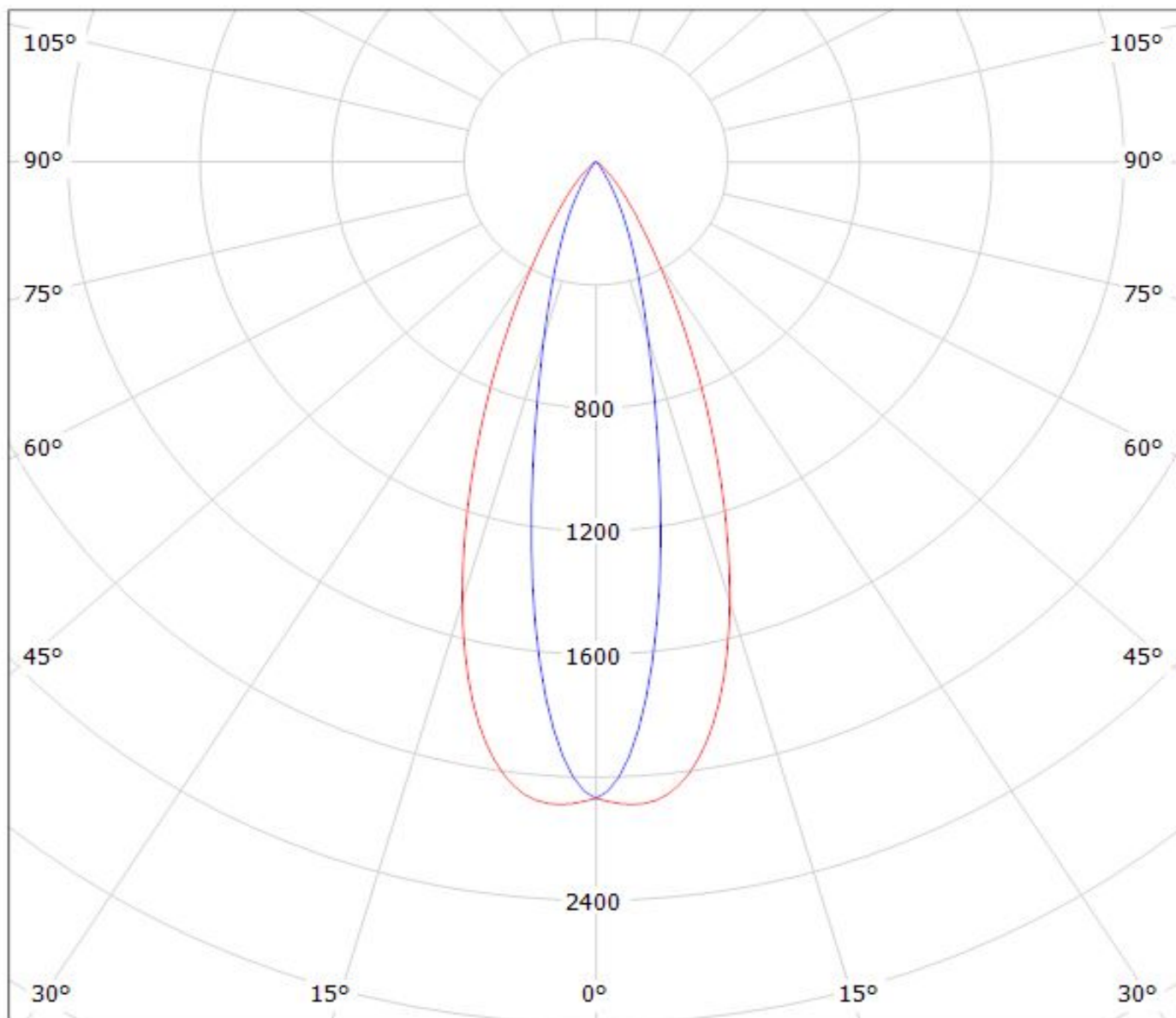
cd/klm

— C0 - C180 — C90 - C270

$\eta = 90\%$

Luminaire: LEDiL Oy

Lamps: 1 x CA14602_VERONICA-SQ-MINI-O_(REBEL-ES)



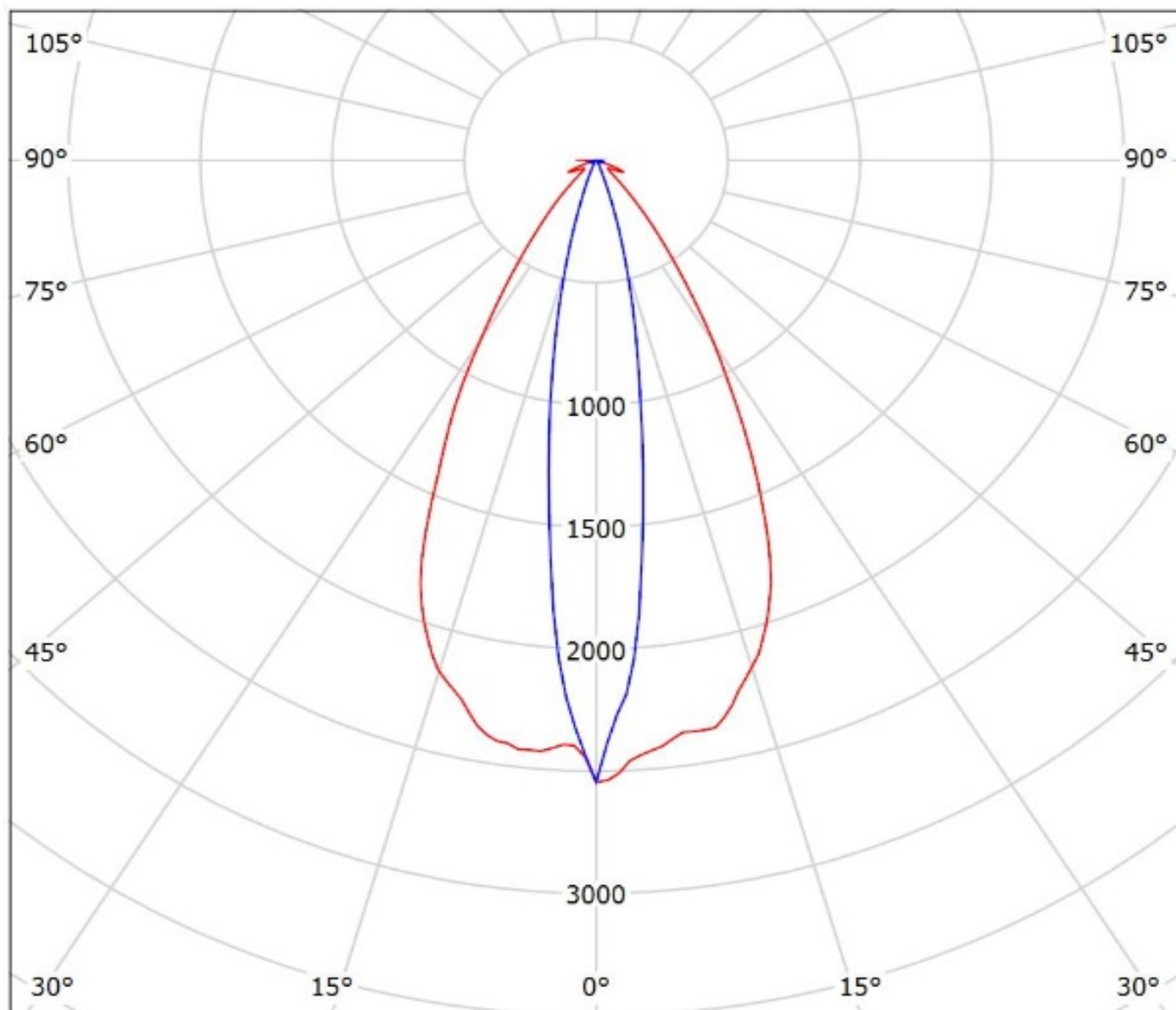
cd/klm

— C0 - C180

— C90 - C270

$\eta = 74\%$

Luminaire: Ledil Oy CA14602_VERONICA-SQ-MINI-O_(Luxeon_Z_ES)_SIMULATED
Lamps: 1 x Lumileds Luxeon Z ES



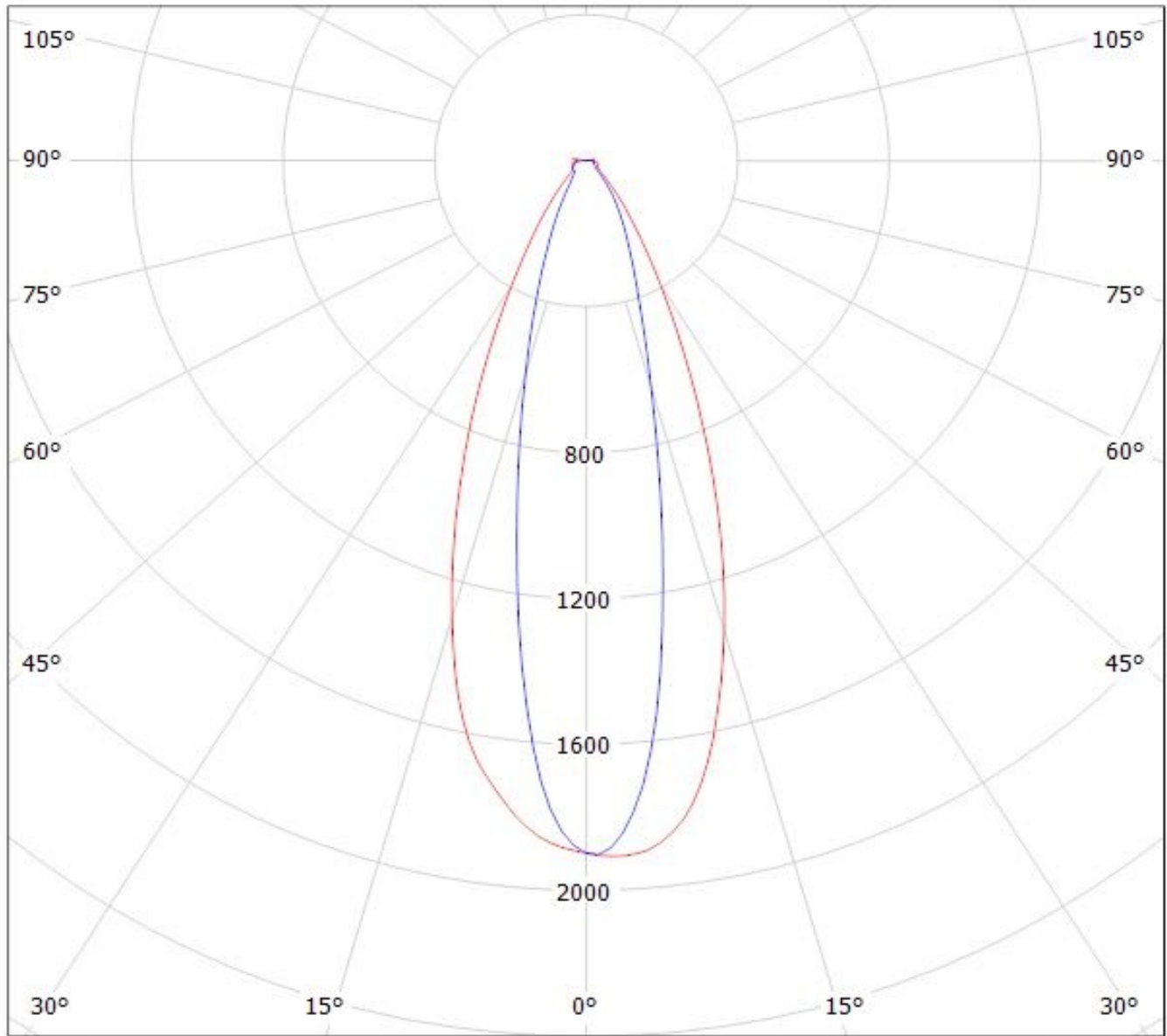
cd/klm

— C0 - C180 — C90 - C270

$\eta = 92\%$

Luminaire: LEDiL Oy CA14602_VERONICA-SQ-MINI-O_(NVSL219CE)

Lamps: 1 x Nichia_NVSL219CE_101.052lm@250mA_P=0.713154W_I=0.25A



cd/klm

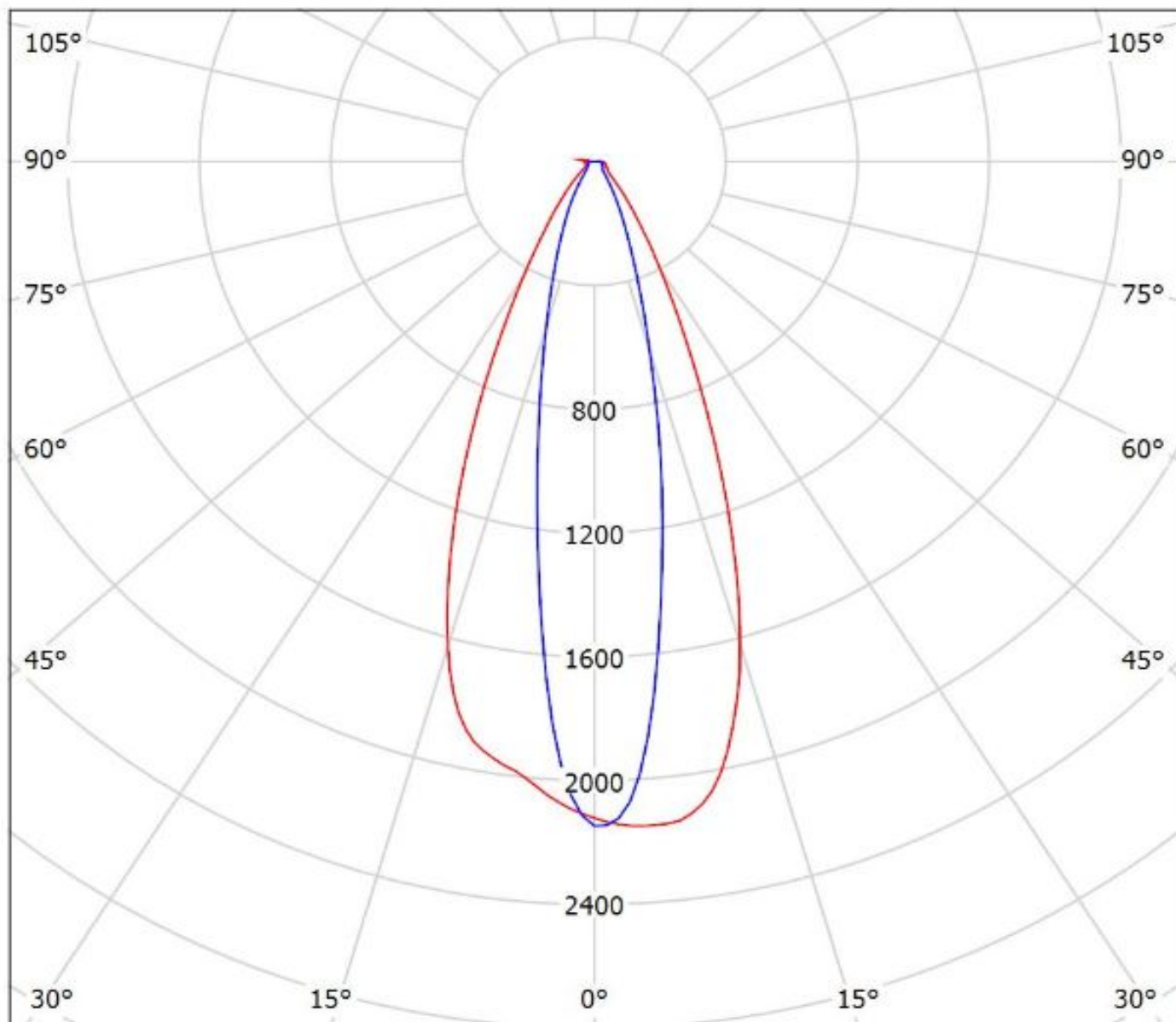
$\eta = 90\%$

— C0 - C180

— C90 - C270

Luminaire: Ledil CA14602_VERONICA-SQ-MINI-O_(Oslon_Square)

Lamps: 1 x Osram_Oslon_Square_(GWCSSRM1.3M)_72.2595lm@250mA_P=0.7303W_I=0.25A



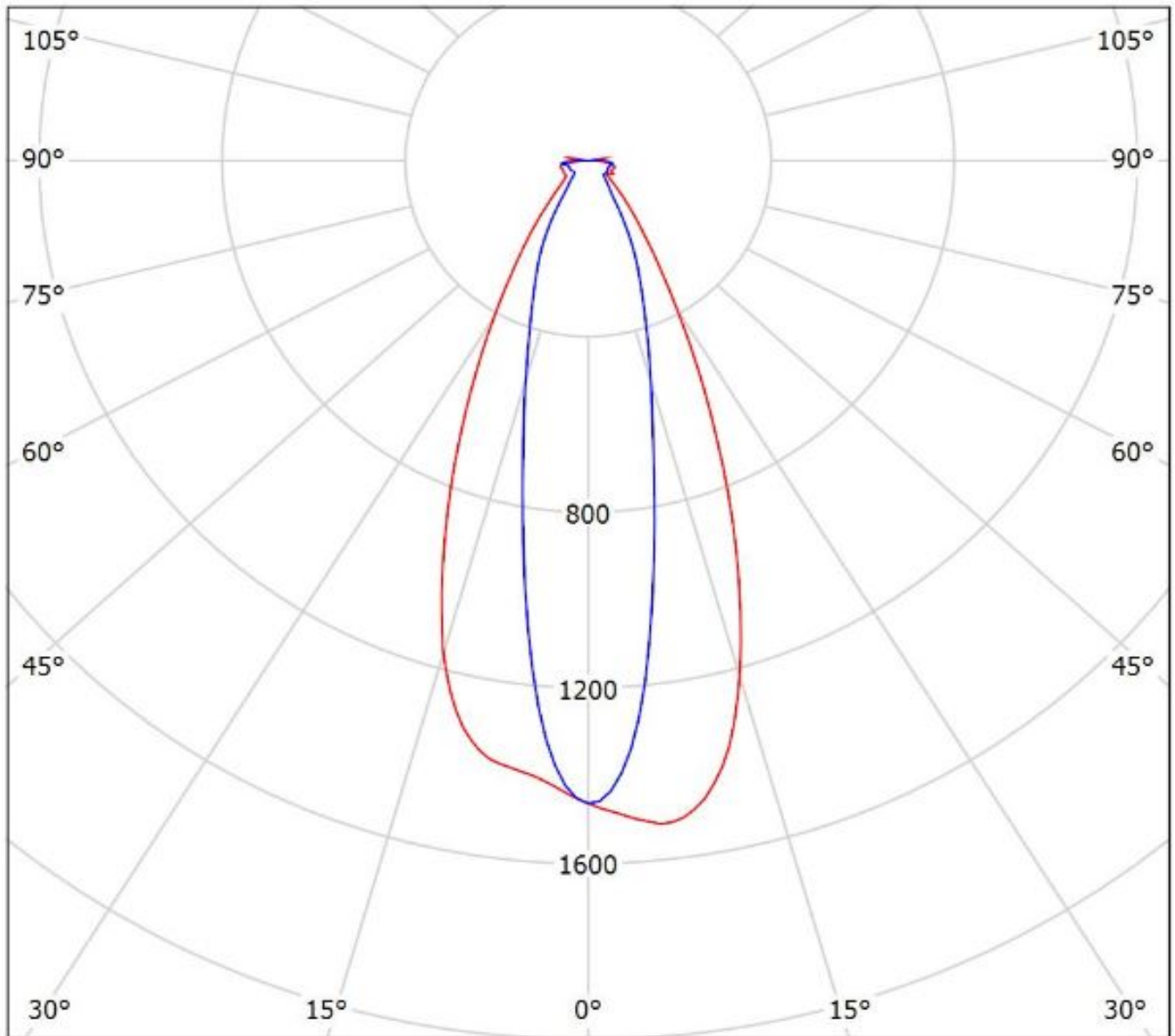
cd/klm

— C0 - C180 — C90 - C270

$\eta = 89\%$

Luminaire: LEDiL Oy CA14602_VERONICA-SQ-MINI-O_(Z8Y22plus)

Lamps: 1 x Seoul_Z8Y22plus_(W6E2G)_125.652lm@250mA_P=0.69312W_I=0.250A



cd/klm

— C0 - C180 — C90 - C270

$\eta = 90\%$

NOTE: The typical divergence will be changed by different color, chip size and chip position tolerance. The typical total divergence is the full angle measured where the luminous intensity is half of the peak value.