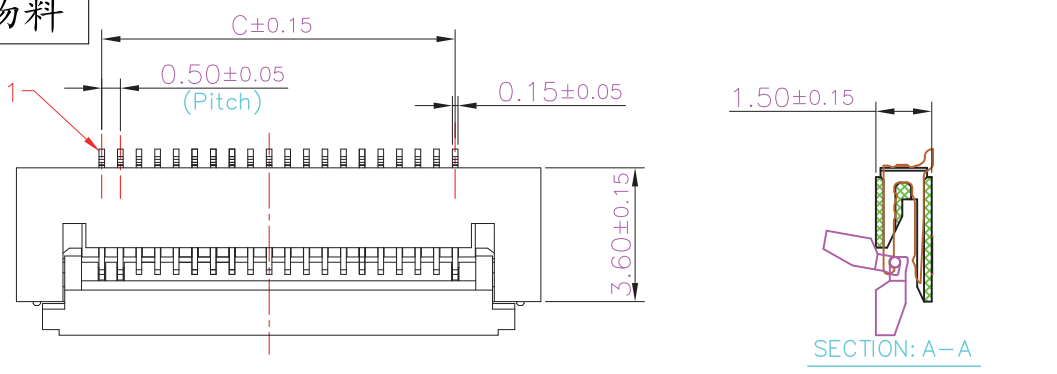


TEL: 0769-82001899

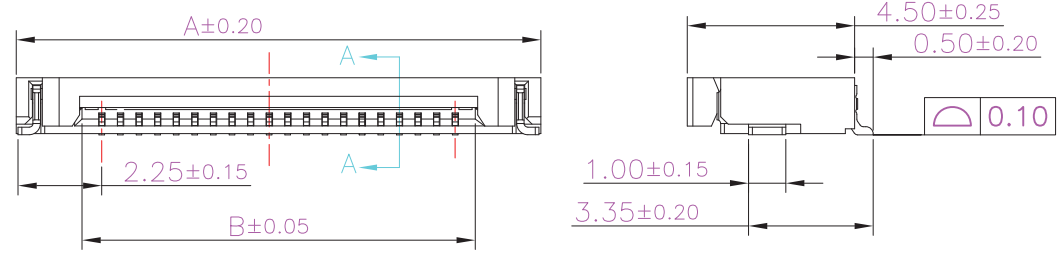
环保物料

- 1.MATERIAL  
 HOUSING:LCP UL 94V-0  
 ACTUATOR:LCP UL 94V-0  
 CONTACTS:COPPER ALLOY  
 PEG:COPPER ALLOY
- 2.PLATING:  
 CONTACTS:TIN OR AU OVER NICKEL  
 PEG:TIN OVER NICKEL
- 3.PART NO:  
 OPERATING VOLTAGE:50V AC,DC  
 CURRENT RATING:0.3A AC,DC  
 OPERATING TEMPERATURE:-25°C~+85°C
- 4.PART NO:

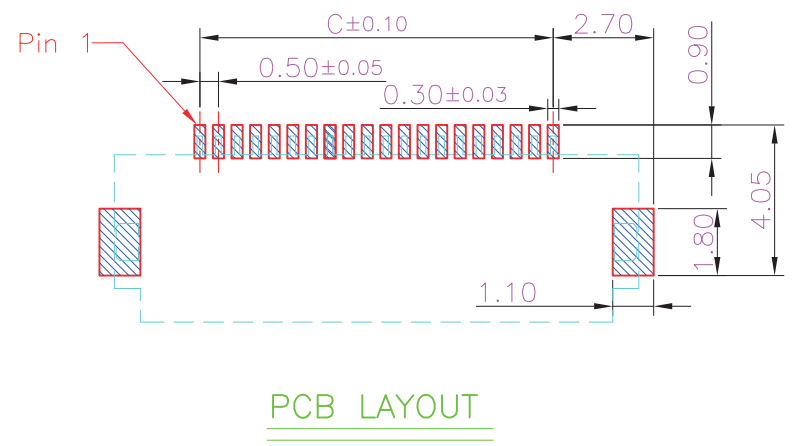
PIN	DIM A	DIM B	DIM C
4	6.10	2.60	1.50
5	6.60	3.10	2.00
6	7.10	3.60	2.50
7	7.60	4.10	3.00
8	8.10	4.60	3.50
9	8.60	5.10	4.00
10	9.10	5.60	4.50
11	9.60	6.10	5.00
12	10.10	6.60	5.50
13	10.60	7.10	6.00
14	11.10	7.60	6.50
15	11.60	8.10	7.00
16	12.10	8.60	7.50
17	12.60	9.10	8.00
18	13.10	9.60	8.50
19	13.60	10.10	9.00
20	14.10	10.60	9.50
21	14.60	11.10	10.00
22	15.10	11.60	10.50
23	15.60	12.10	11.00
24	16.10	12.60	11.50
25	16.60	13.10	12.00
26	17.10	13.60	12.50
27	17.60	14.10	13.00
28	18.10	14.60	13.50
29	18.60	15.10	14.00
30	19.10	15.60	14.50
31	19.60	16.10	15.00
32	20.10	16.60	15.50
33	20.60	17.10	16.00
34	21.10	17.60	16.50
35	21.60	18.10	17.00
36	22.10	18.60	17.50
37	22.60	19.10	18.00
38	23.10	19.60	18.50
39	23.60	20.10	19.00
40	24.10	20.60	19.50
41	24.60	21.10	20.00
42	25.10	21.60	20.50
43	25.60	22.10	21.00
44	26.10	22.60	21.50
45	26.60	23.10	22.00
46	27.10	23.60	22.50
47	27.60	24.10	23.00
48	28.10	24.60	23.50
49	28.60	25.10	24.00
50	29.10	25.60	24.50
51	29.60	26.10	25.00
52	30.10	26.60	25.50
53	30.60	27.10	26.00
54	31.10	27.60	26.50
55	31.60	28.10	27.00
56	32.10	28.60	27.50
59	33.60	30.10	29.00
60	34.10	30.60	29.50
61	34.60	31.10	30.00
80	44.10	40.60	39.50



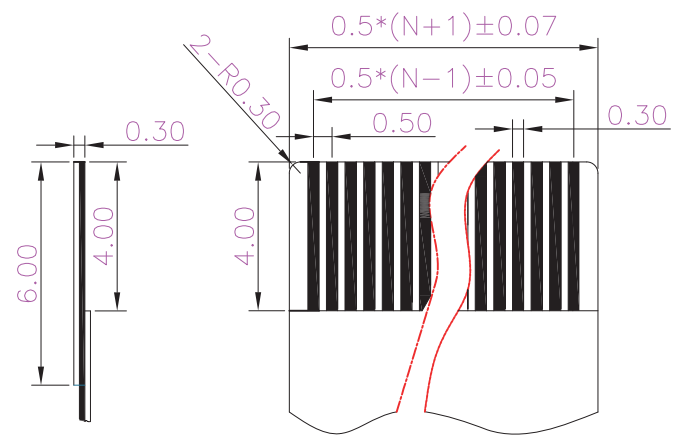
SECTION: A-A



F0502-B-xx-15T-x  
 R=卷装 无=管装  
 T=镀锡 G=镀金  
 Pin位数



PCB LAYOUT



APPLICABLE FPC

AO	MODIFICATION	DRAW	DATE	TOLERANCE UNLESS OTHERWISE	DRAWN	CK tan
VER				X. ±0.30 X° ±5°	CHKD	
				.X ±0.20 .X° ±2°	APPD	
				.XX ±0.08 .XX° ±1°	VIEW	⊕
				.XXX ±0.03 .XXX° ±0.5°		

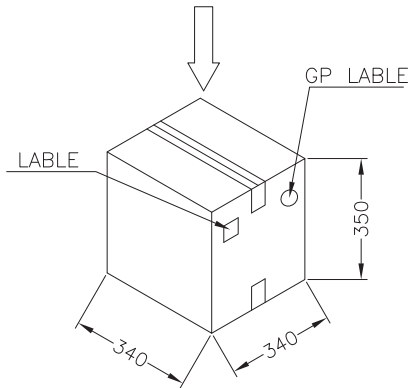
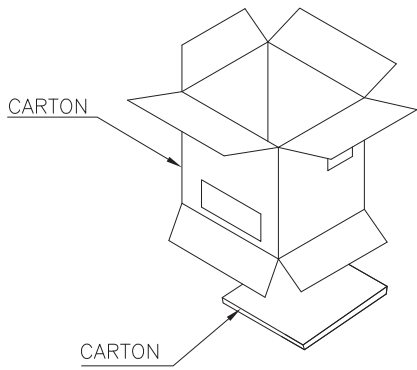
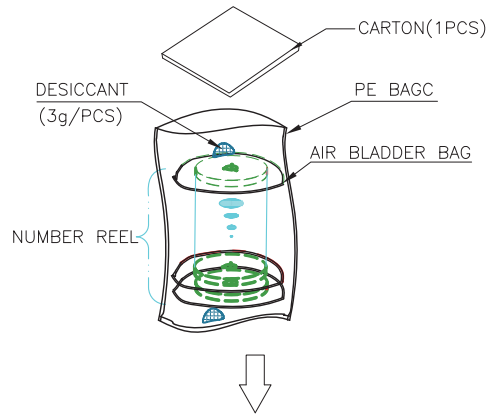
**XFCN** 兴飞连接器有限公司  
 XFCN CONNECTORS CO.,LTD.

PRODUCT NAME: FPC 0.50mm Connectors  
 PART. NO.: F0502-B-xx-15T-R

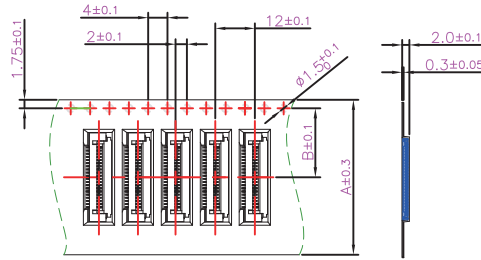
SHEET	1/1
DATE	2020. 04. 12
UNITS	mm
SCALE	1:1
DWG. NO.	009

环保物料

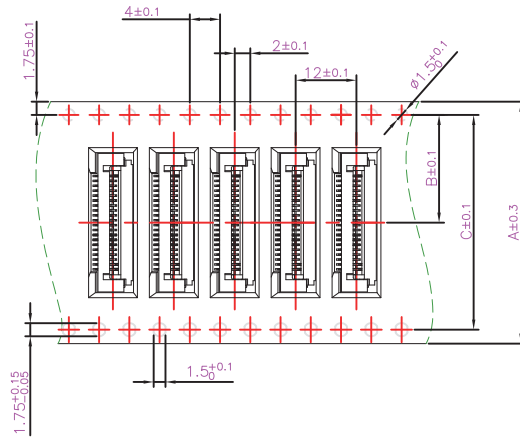
TEL:0769-82001899



Tape width 16 and 24 mm



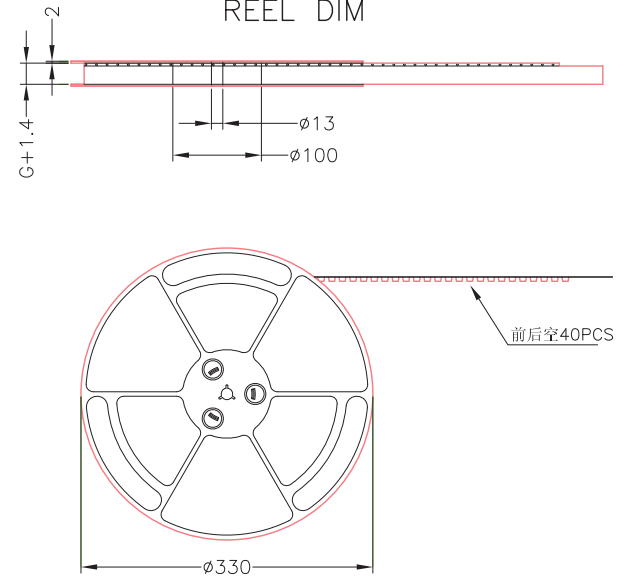
Tape width 32 and 56 mm



NOTES:

- 1.Component load per 13" reel:4000 pcs
- 2.Material: black conductive polystyrene alloy.
- 3.Thickness:0.3±0.05mm
- 4.All dimensions meet EIA-481-C requirements

REEL DIM



No.of Contacts	DIM			REEL (CARTON)	SUM(PCS)
	A	B	C		
4pin~8pin	16	7.5	—	15	60000
10pin~24pin	24	11.5	—	10	40000
25pin~35pin	32	14.2	28.4	8	32000
36pin~54pin	44	20.2	40.4	6	24000
55pin~60pin	56	26.25	52.5	5	20000

TOLERANCE UNLESS OTHERWISE

X.	±0.30	X°	±5°
.X	±0.20	.X°	±2°
.XX	±0.08	.XX°	±1°
.XXX	±0.03	.XXX°	±0.5°

DRAWN CK tan

CHKD

APPD

VIEW

**XFCN** 兴飞连接器有限公司  
XFCN CONNECTORS CO.,LTD.

PRODUCT NAME FPC 0.50mm Connectors

PART. NO. F0502-B-xx-15T-R

SHEET 1/1

DATE 2020. 04. 12

UNITS mm

SCALE 1:1

DWG NO. 009

AO

VER

MODIFICATION

DRAW

DATE