

To all our customers

---

## **Regarding the change of names mentioned in the document, such as Mitsubishi Electric and Mitsubishi XX, to Renesas Technology Corp.**

---

The semiconductor operations of Hitachi and Mitsubishi Electric were transferred to Renesas Technology Corporation on April 1st 2003. These operations include microcomputer, logic, analog and discrete devices, and memory chips other than DRAMs (flash memory, SRAMs etc.) Accordingly, although Mitsubishi Electric, Mitsubishi Electric Corporation, Mitsubishi Semiconductors, and other Mitsubishi brand names are mentioned in the document, these names have in fact all been changed to Renesas Technology Corp. Thank you for your understanding. Except for our corporate trademark, logo and corporate statement, no changes whatsoever have been made to the contents of the document, and these changes do not constitute any alteration to the contents of the document itself.

Note : Mitsubishi Electric will continue the business operations of high frequency & optical devices and power devices.

Renesas Technology Corp.  
Customer Support Dept.  
April 1, 2003

# MITSUBISHI MICROCOMPUTERS

## 3802 Group

SINGLE-CHIP 8-BIT CMOS MICROCOMPUTER

### DESCRIPTION

The 3802 group is the 8-bit microcomputer based on the 740 family core technology.

The 3802 group is designed for controlling systems that require analog signal processing and include two serial I/O functions, A-D converters, and D-A converters.

The various microcomputers in the 3802 group include variations of internal memory size and packaging. For details, refer to the section on part numbering.

For details on availability of microcomputers in the 3802 group, refer to the section on group expansion.

### FEATURES

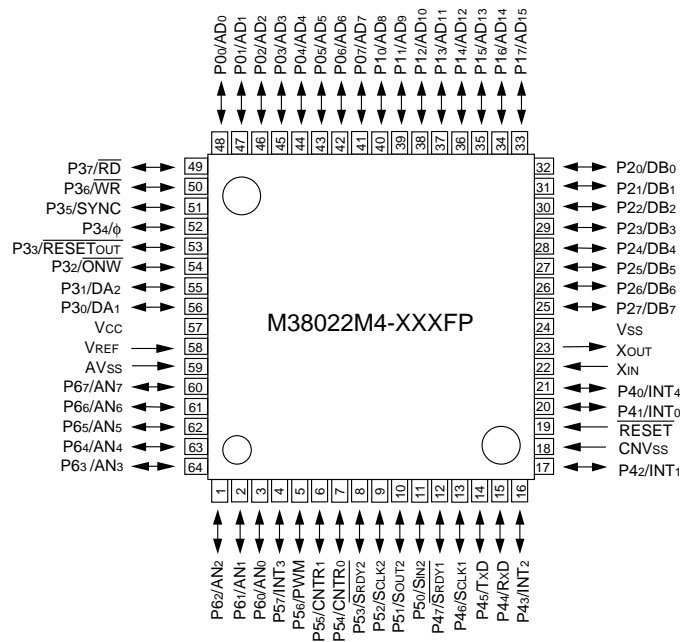
- Basic machine-language instructions ..... 71
- The minimum instruction execution time ..... 0.5  $\mu$ s  
(at 8 MHz oscillation frequency)
- Memory size
  - ROM ..... 8 K to 32 K bytes
  - RAM ..... 384 to 1024 bytes

- Programmable input/output ports ..... 56
- Interrupts ..... 16 sources, 16 vectors
- Timers ..... 8 bit X 4
- Serial I/O1 ..... 8-bit X 1 (UART or Clock-synchronized)
- Serial I/O2 ..... 8-bit X 1 (Clock-synchronized)
- PWM ..... 8-bit X 1
- A-D converter ..... 8-bit X 8 channels
- D-A converter ..... 8-bit X 2 channels
- Clock generating circuit ..... Internal feedback resistor  
(connect to external ceramic resonator or quartz-crystal oscillator)
- Power source voltage ..... 3.0 to 5.5 V  
(Extended operating temperature version : 4.0 to 5.5 V)
- Power dissipation ..... 32 mW
- Memory expansion possible
- Operating temperature range ..... -20 to 85°C  
(Extended operating temperature version : -40 to 85°C)

### APPLICATIONS

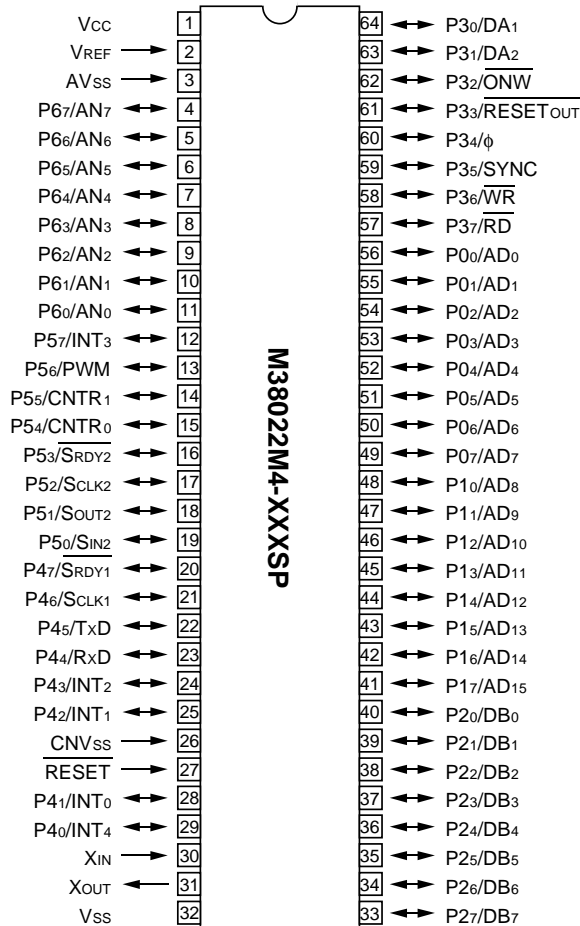
Office automation, VCRs, tuners, musical instruments, cameras, air conditioners, etc.

### PIN CONFIGURATION (TOP VIEW)



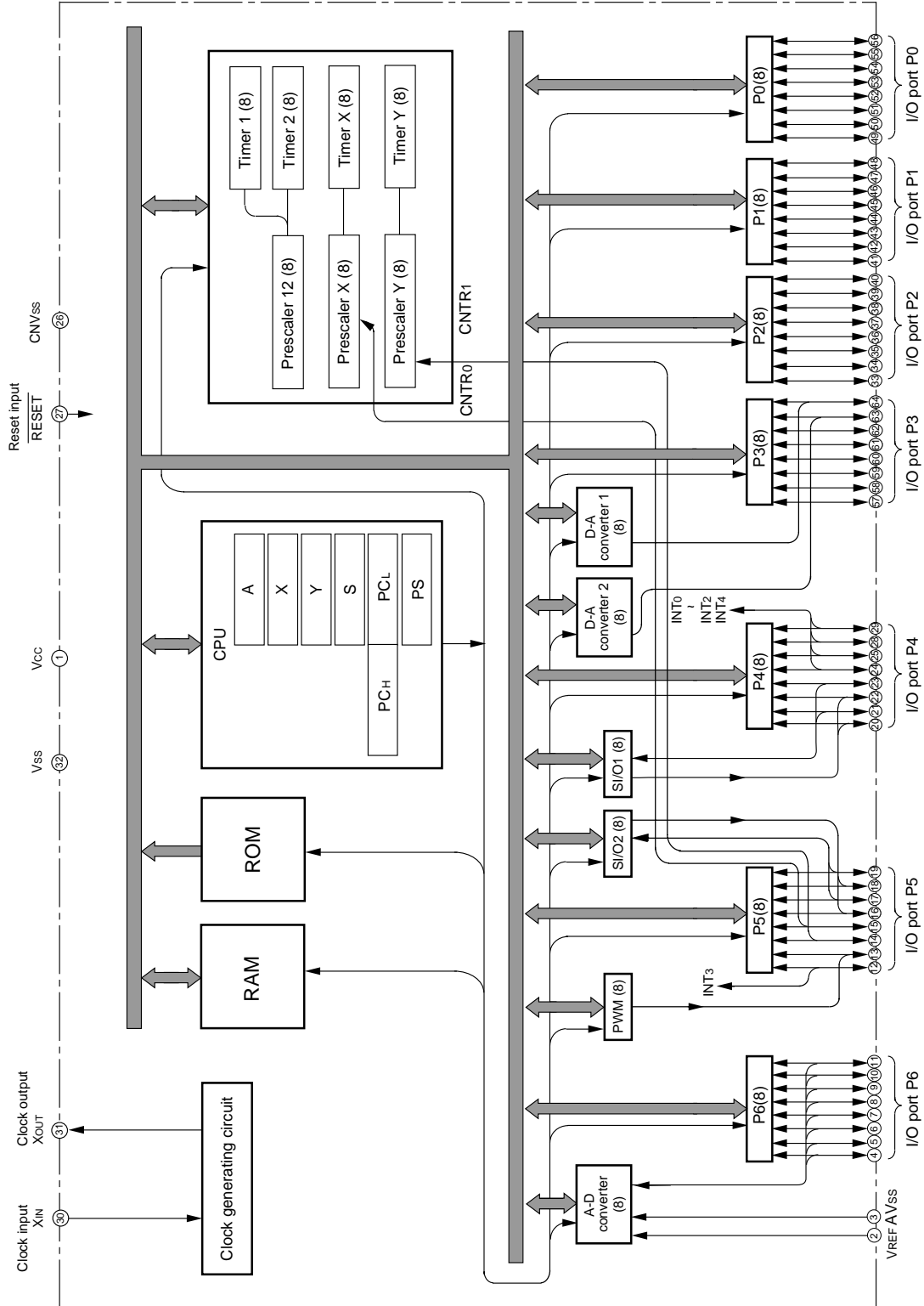
Package type : 64P6N-A  
64-pin plastic-molded QFP

**PIN CONFIGURATION (TOP VIEW)**



**Package type : 64P4B**  
**64-pin shrink plastic-molded DIP**

FUNCTIONAL BLOCK DIAGRAM (Package : 64P4B)



**PIN DESCRIPTION**

Pin	Name	Function	
			Function except a port function
Vcc, Vss	Power source	<ul style="list-style-type: none"> <li>Apply voltage of 3.0 V–5.5 V to Vcc, and 0 V to Vss. (Extended operating temperature version : 4.0 V to 5.5 V)</li> </ul>	
CNVss	CNVss	<ul style="list-style-type: none"> <li>This pin controls the operation mode of the chip.</li> <li>Normally connected to Vss.</li> <li>If this pin is connected to Vcc, the internal ROM is inhibited and external memory is accessed.</li> </ul>	
VREF	Analog reference voltage	<ul style="list-style-type: none"> <li>Reference voltage input pin for A-D and D-A converters</li> </ul>	
AVSS	Analog power source	<ul style="list-style-type: none"> <li>GND input pin for A-D and D-A converters</li> <li>Connect to Vss.</li> </ul>	
$\overline{\text{RESET}}$	Reset input	<ul style="list-style-type: none"> <li>Reset input pin for active “L”</li> </ul>	
XIN	Clock input	<ul style="list-style-type: none"> <li>Input and output signals for the clock generating circuit.</li> <li>Connect a ceramic resonator or quartz-crystal oscillator between the XIN and XOUT pins to set the oscillation frequency.</li> <li>If an external clock is used, connect the clock source to the XIN pin and leave the XOUT pin open.</li> <li>The clock is used as the oscillating source of system clock.</li> </ul>	
XOUT	Clock output		
P00–P07	I/O port P0	<ul style="list-style-type: none"> <li>8 bit CMOS I/O port</li> <li>I/O direction register allows each pin to be individually programmed as either input or output.</li> <li>At reset this port is set to input mode.</li> <li>In modes other than single-chip, these pins are used as address, data, and control bus I/O pins.</li> <li>CMOS compatible input level</li> <li>CMOS 3-state output structure</li> </ul>	
P10–P17	I/O port P1		
P20–P27	I/O port P2		
P30/DA <sub>1</sub> , P31/DA <sub>2</sub>	I/O port P3		<ul style="list-style-type: none"> <li>D–A conversion output pins</li> </ul>
P32–P37			
P40/INT <sub>4</sub> , P41/INT <sub>0</sub> , P42/INT <sub>1</sub> , P43/INT <sub>2</sub>	I/O port P4	<ul style="list-style-type: none"> <li>8-bit CMOS I/O port with the same function as port P0</li> <li>CMOS compatible input level</li> <li>CMOS 3-state output structure</li> </ul>	<ul style="list-style-type: none"> <li>External interrupt input pin</li> </ul>
P44/RxD, P45/TxD, P46/SCLK <sub>1</sub> , P47/SRDY <sub>1</sub>			<ul style="list-style-type: none"> <li>Serial I/O1 I/O pins</li> </ul>
P50/SIN <sub>2</sub> , P51/SOUT <sub>2</sub> , P52/SCLK <sub>2</sub> , P53/SRDY <sub>2</sub>	I/O port P5	<ul style="list-style-type: none"> <li>8-bit CMOS I/O port with the same function as port P0</li> <li>CMOS compatible input level</li> <li>CMOS 3-state output structure</li> </ul>	<ul style="list-style-type: none"> <li>Serial I/O2 I/O pins</li> </ul>
P54/CNTR <sub>0</sub> , P55/CNTR <sub>1</sub>			<ul style="list-style-type: none"> <li>Timer X and Timer Y I/O pins</li> </ul>
P56/PWM			<ul style="list-style-type: none"> <li>PWM output pin</li> </ul>
P57/INT <sub>3</sub>			<ul style="list-style-type: none"> <li>External interrupt input pin</li> </ul>
P60/AN <sub>0</sub> – P67/AN <sub>7</sub>	I/O port P6	<ul style="list-style-type: none"> <li>8-bit CMOS I/O port with the same function as port P0</li> <li>CMOS compatible input level</li> <li>CMOS 3-state output structure</li> </ul>	<ul style="list-style-type: none"> <li>A-D conversion input pins</li> </ul>

# 3802 Group

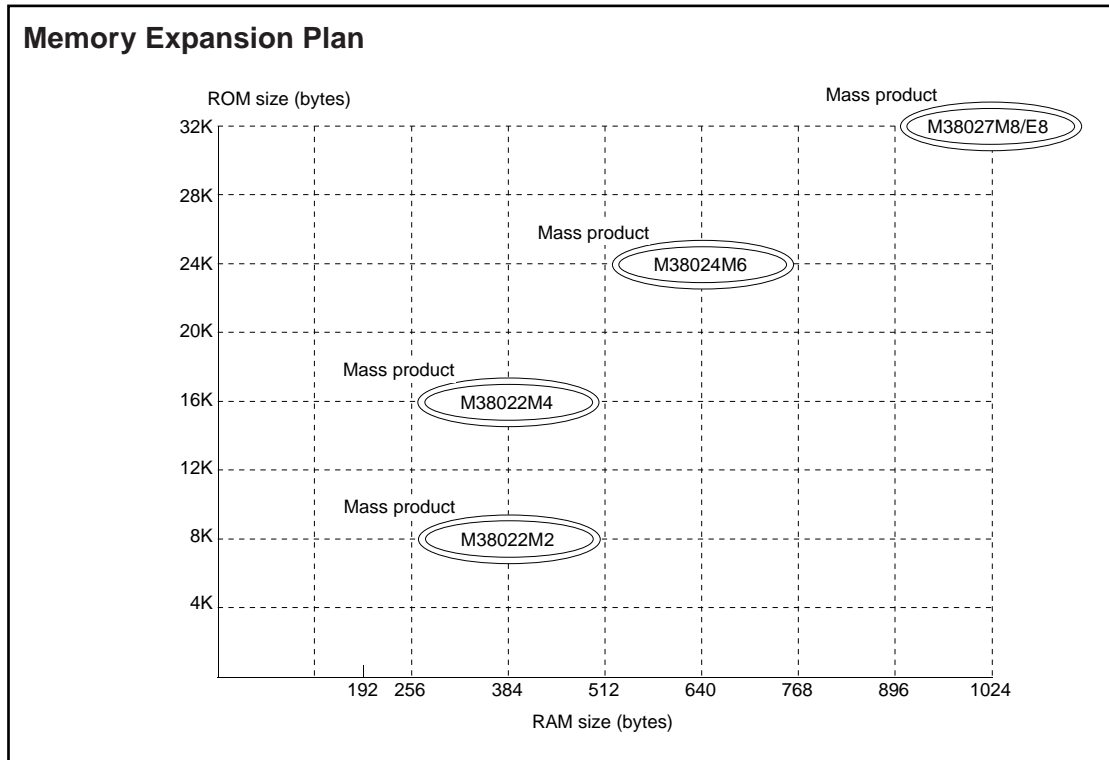
SINGLE-CHIP 8-BIT CMOS MICROCOMPUTER

## GROUP EXPANSION

Mitsubishi plans to expand the 3802 group as follows:

- (1) Support for mask ROM, One Time PROM, and EPROM versions
  - ROM/PROM capacity ..... 8 K to 32 K bytes
  - RAM capacity ..... 384 to 1024 bytes

- (2) Packages
  - 64P4B ..... Shrink plastic molded DIP
  - 64P6N-A ..... Plastic molded QFP
  - 64S1B-E ..... Shrink ceramic DIP
  - 64D0 ..... Ceramic LCC



Currently supported products are listed below

As of May 1996

Product	(P) ROM size (bytes) ROM size for User in ( )	RAM size (bytes)	Package	Remarks
M38022M2-XXXSP	8192 (8062)	384	64P4B	Mask ROM version
M38022M2-XXXFP			64P6N-A	Mask ROM version
M38022M4-XXXSP	16384 (16254)	384	64P4B	Mask ROM version
M38022M4-XXXFP			64P6N-A	Mask ROM version
M38024M6-XXXSP	24576 (24446)	640	64P4B	Mask ROM version
M38024M6-XXXFP			64P6N-A	Mask ROM version
M38027M8-XXXSP	32768 (32638)	1024	64P4B	Mask ROM version
M38027E8-XXXSP				One Time PROM version
M38027E8SP				One Time PROM version (blank)
M38027M8-XXXFP			64P6N-A	Mask ROM version
M38027E8-XXXFP				One Time PROM version
M38027E8FP				One Time PROM version (blank)
M38027E8SS				64S1B-E
M38027E8FS			64D0	EPROM version

# 3802 Group

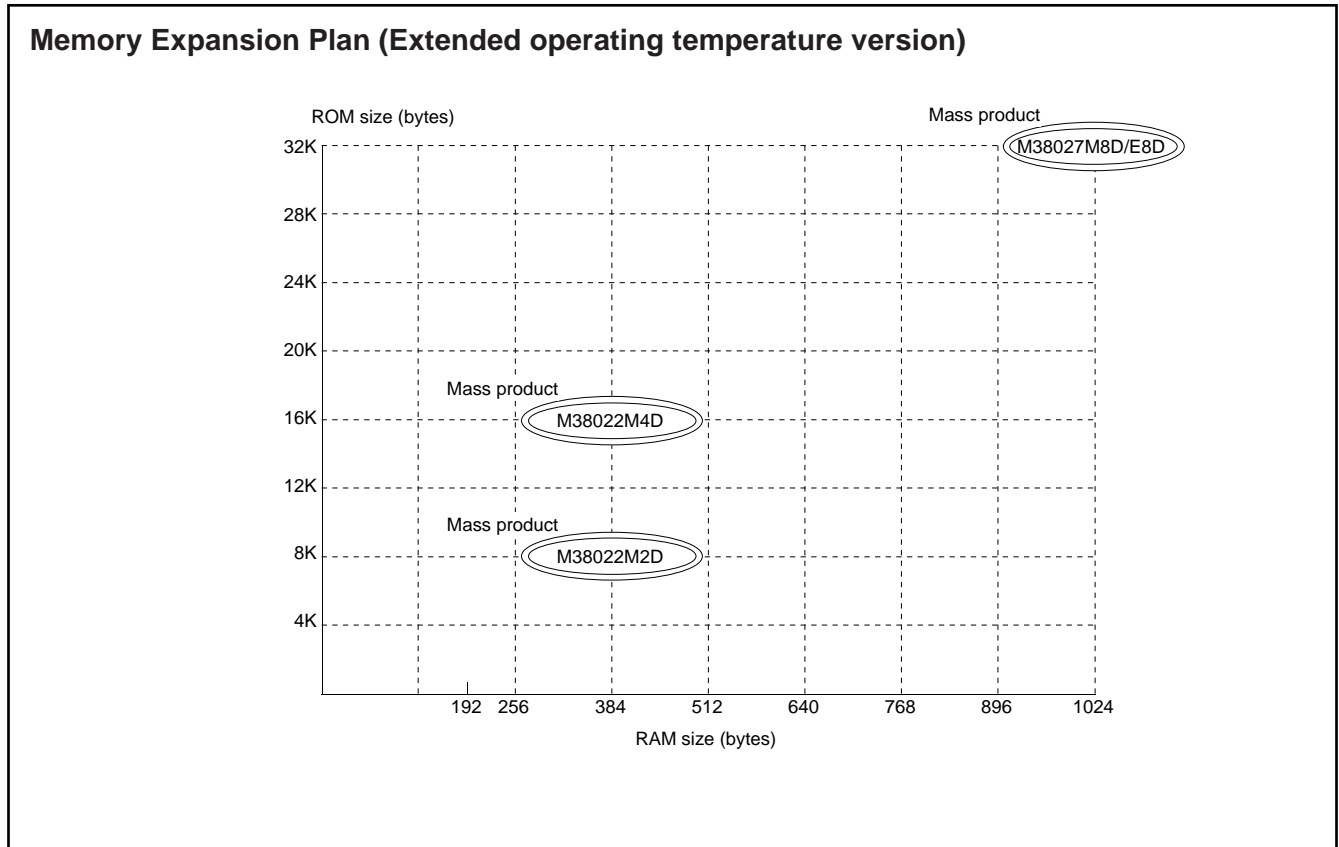
SINGLE-CHIP 8-BIT CMOS MICROCOMPUTER

## GROUP EXPANSION (Extended operating temperature version)

Mitsubishi plans to expand the 3802 group (extended operating temperature version) as follows:

- (1) Support for mask ROM One Time PROM, and EPROM versions
  - ROM/PROM capacity ..... 8 K to 32 K bytes
  - RAM capacity ..... 384 to 1024 bytes

- (2) Packages
  - 64P4B ..... Shrink plastic molded DIP
  - 64P6N-A ..... Plastic molded QFP

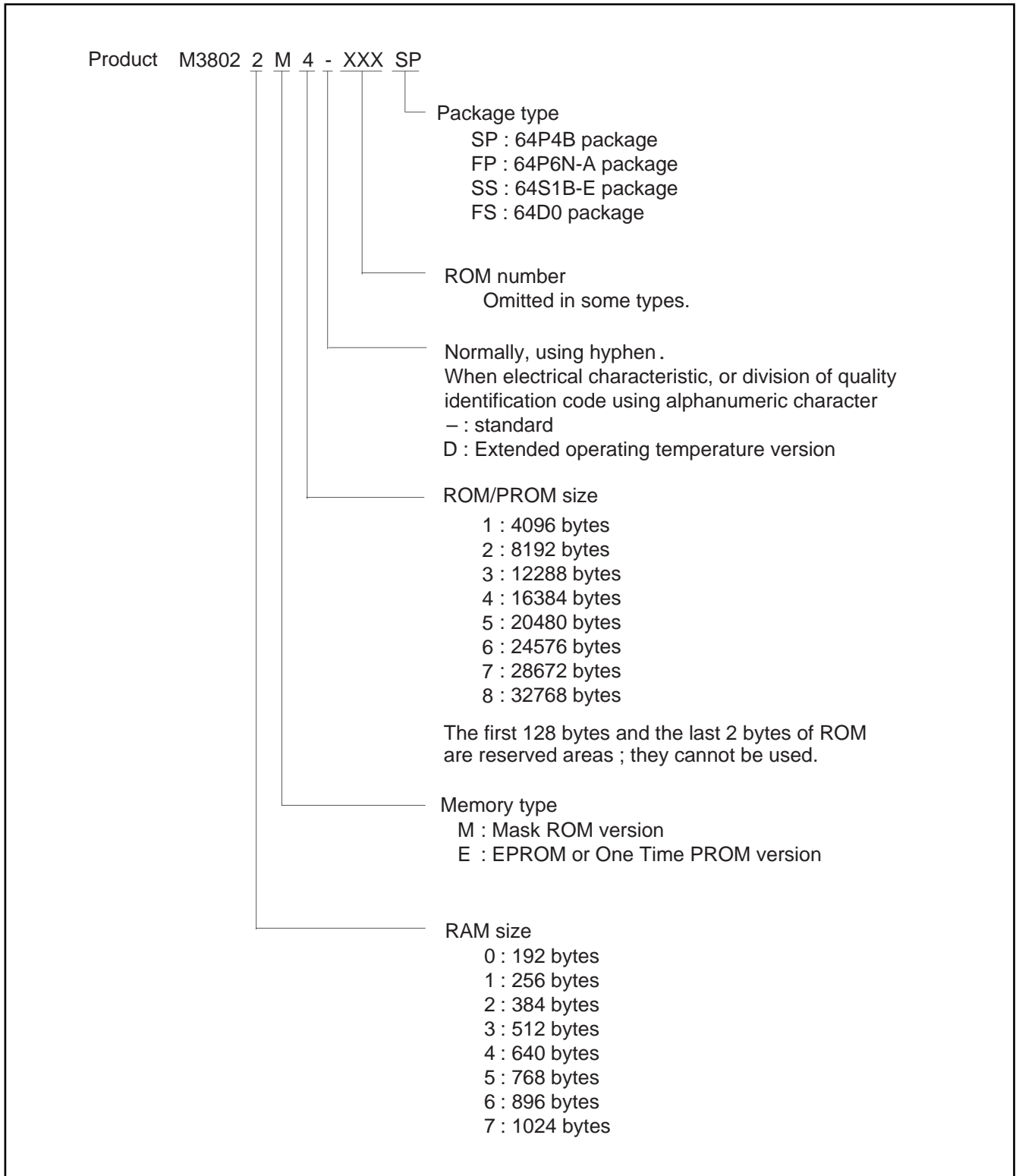


Currently supported products are listed below.

As of May 1996

Product	(P) ROM size (bytes)	RAM size (bytes)	Package	Remarks
M38022M2DXXXSP	8192	384	64P4B	Mask ROM version
M38022M2DXXXFP	(8062)		64P6N-A	Mask ROM version
M38022M4DXXXSP	16384	384	64P4B	Mask ROM version
M38022M4DXXXFP	(16254)		64P6N-A	Mask ROM version
M38027M8DXXXSP	32768 (32638)	1024	64P4B	Mask ROM version
M38027E8DXXXSP				One Time PROM version
M38027E8DSP				One Time PROM version (blank)
M38027M8DXXXFP			64P6N-A	Mask ROM version
M38027E8DXXXFP				One Time PROM version
M38027E8DFP				One Time PROM version (blank)

**PART NUMBERING**





## FUNCTIONAL DESCRIPTION

### Central Processing Unit (CPU)

The 3802 group uses the standard 740 family instruction set. Refer to the table of 740 family addressing modes and machine instructions or the SERIES 740 <Software> User's Manual for details on the instruction set.

Machine-resident 740 family instructions are as follows:

The FST and SLW instruction cannot be used.

The STP, WIT, MUL, and DIV instruction can be used.

### CPU mode register

The CPU mode register is allocated at address 003B<sub>16</sub>.

The CPU mode register contains the stack page selection bit.

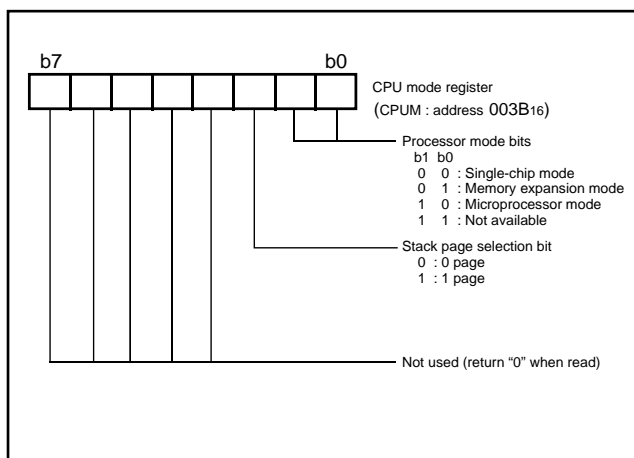


Fig. 1 Structure of CPU mode register

**Memory**

**Special function register (SFR) area**

The Special Function Register area in the zero page contains control registers such as I/O ports and timers.

**RAM**

RAM is used for data storage and for stack area of subroutine calls and interrupts.

**ROM**

The first 128 bytes and the last 2 bytes of ROM are reserved for device testing and the rest is user area for storing programs.

**Interrupt vector area**

The interrupt vector area contains reset and interrupt vectors.

**Zero page**

The 256 bytes from addresses 0000<sub>16</sub> to 00FF<sub>16</sub> are called the zero page area. The internal RAM and the special function registers (SFR) are allocated to this area.

The zero page addressing mode can be used to specify memory and register addresses in the zero page area. Access to this area with only 2 bytes is possible in the zero page addressing mode.

**Special page**

The 256 bytes from addresses FF00<sub>16</sub> to FFFF<sub>16</sub> are called the special page area. The special page addressing mode can be used to specify memory addresses in the special page area. Access to this area with only 2 bytes is possible in the special page addressing mode.

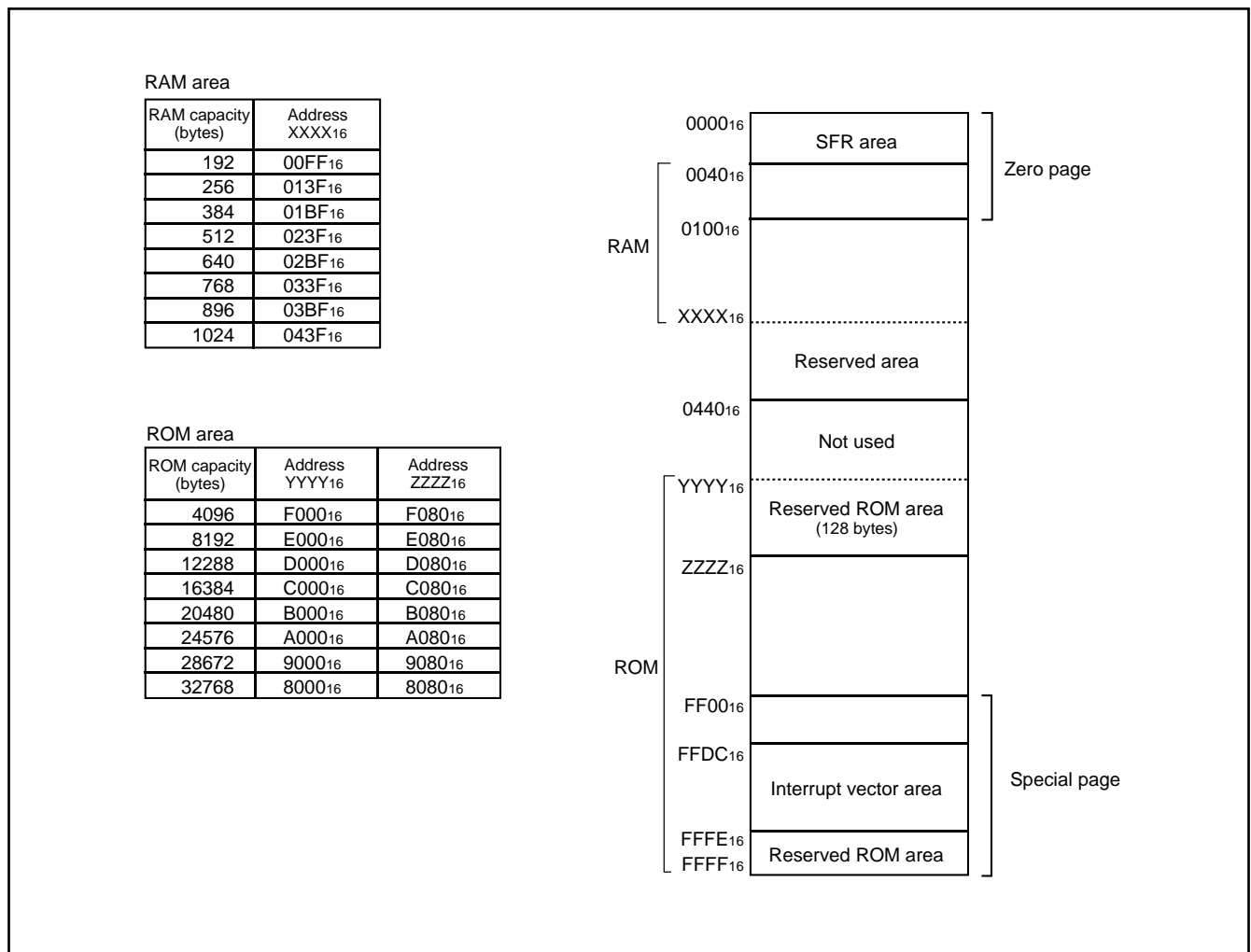


Fig. 2 Memory map diagram

0000 <sub>16</sub>	Port P0 (P0)	0020 <sub>16</sub>	Prescaler 12 (PRE12)
0001 <sub>16</sub>	Port P0 direction register (P0D)	0021 <sub>16</sub>	Timer 1 (T1)
0002 <sub>16</sub>	Port P1 (P1)	0022 <sub>16</sub>	Timer 2 (T2)
0003 <sub>16</sub>	Port P1 direction register (P1D)	0023 <sub>16</sub>	Timer XY mode register (TM)
0004 <sub>16</sub>	Port P2 (P2)	0024 <sub>16</sub>	Prescaler X (PREX)
0005 <sub>16</sub>	Port P2 direction register (P2D)	0025 <sub>16</sub>	Timer X (TX)
0006 <sub>16</sub>	Port P3 (P3)	0026 <sub>16</sub>	Prescaler Y (PREY)
0007 <sub>16</sub>	Port P3 direction register (P3D)	0027 <sub>16</sub>	Timer Y (TY)
0008 <sub>16</sub>	Port P4 (P4)	0028 <sub>16</sub>	
0009 <sub>16</sub>	Port P4 direction register (P4D)	0029 <sub>16</sub>	
000A <sub>16</sub>	Port P5 (P5)	002A <sub>16</sub>	
000B <sub>16</sub>	Port P5 direction register (P5D)	002B <sub>16</sub>	PWM control register (PWMCON)
000C <sub>16</sub>	Port P6 (P6)	002C <sub>16</sub>	PMW prescaler (PREPWM)
000D <sub>16</sub>	Port P6 direction register (P6D)	002D <sub>16</sub>	PWM register (PWM)
000E <sub>16</sub>		002E <sub>16</sub>	
000F <sub>16</sub>		002F <sub>16</sub>	
0010 <sub>16</sub>		0030 <sub>16</sub>	
0011 <sub>16</sub>		0031 <sub>16</sub>	
0012 <sub>16</sub>		0032 <sub>16</sub>	
0013 <sub>16</sub>		0033 <sub>16</sub>	
0014 <sub>16</sub>		0034 <sub>16</sub>	AD/DA control register (ADCON)
0015 <sub>16</sub>		0035 <sub>16</sub>	A-D conversion register (AD)
0016 <sub>16</sub>		0036 <sub>16</sub>	D-A1 conversion register (DA1)
0017 <sub>16</sub>		0037 <sub>16</sub>	D-A2 conversion register (DA2)
0018 <sub>16</sub>	Transmit/Receive buffer register (TB/RB)	0038 <sub>16</sub>	
0019 <sub>16</sub>	Serial I/O1 status register (SIO1STS)	0039 <sub>16</sub>	
001A <sub>16</sub>	Serial I/O1 control register (SIO1CON)	003A <sub>16</sub>	Interrupt edge selection register (INTEDGE)
001B <sub>16</sub>	UART control register (UARTCON)	003B <sub>16</sub>	CPU mode register (CPUM)
001C <sub>16</sub>	Baud rate generator (BRG)	003C <sub>16</sub>	Interrupt request register 1(IREQ1)
001D <sub>16</sub>	Serial I/O2 control register (SIO2CON)	003D <sub>16</sub>	Interrupt request register 2(IREQ2)
001E <sub>16</sub>		003E <sub>16</sub>	Interrupt control register 1(ICON1)
001F <sub>16</sub>	Serial I/O2 register (SIO2)	003F <sub>16</sub>	Interrupt control register 2(ICON2)

Fig. 3 Memory map of special function register (SFR)

**I/O Ports**

**Direction registers**

The 3802 group has 56 programmable I/O pins arranged in seven I/O ports (ports P0 to P6). The I/O ports have direction registers which determine the input/output direction of each individual pin. Each bit in a direction register corresponds to one pin, each pin can be set to be input port or output port.

When "0" is written to the bit corresponding to a pin, that pin becomes an input pin. When "1" is written to that bit, that pin becomes an output pin.

If data is read from a pin which is set to output, the value of the port output latch is read, not the value of the pin itself. Pins set to input are floating. If a pin set to input is written to, only the port output latch is written to and the pin remains floating.

Pin	Name	Input/Output	I/O Format	Non-Port Function	Related SFRs	Ref.No.
P00–P07	Port P0	Input/output, individual bits	CMOS 3-state output CMOS compatible input level	Address low-order byte output	CPU mode register	(1)
P10–P17	Port P1	Input/output, individual bits	CMOS 3-state output CMOS compatible input level	Address high-order byte output	CPU mode register	
P20–P27	Port P2	Input/output, individual bits	CMOS 3-state output CMOS compatible input level	Data bus I/O	CPU mode register	
P30/DA1 P31/DA2 P32–P37	Port P3	Input/output, individual bits	CMOS 3-state output CMOS compatible input level	D-A conversion output	AD/DA control register CPU mode register	(2)
				Control signal I/O	CPU mode register	(1)
P40/INT4, P41/INT0, P43/INT2 P44/RxD, P45/TxD, P46/SCLK1, P47/SRDY1	Port P4	Input/output, individual bits	CMOS 3-state output CMOS compatible input level	External interrupt input	Interrupt edge selection register	(3)
				Serial I/O1 function I/O	Serial I/O1 control register UART control register	(4) (5) (6) (7)
P50/SIN2, P51/SOUT2, P52/SCLK2, P53/SRDY2 P54/CNTR0, P55/CNTR1 P56/PWM P57/INT3	Port P5	Input/output, individual bits	CMOS 3-state output CMOS compatible input level	Serial I/O2 function I/O	Serial I/O2 control register	(8) (9) (10) (11)
				Timer X and Timer Y function I/O	Timer XY mode register	(12)
				PWM output	PWM control register	(13)
				External interrupt input	Interrupt edge selection register	(3)
P60/AN0– P67/AN7	Port P6	Input/output, individual bits	CMOS 3-state output CMOS compatible input level	A-D conversion input		(14)

**Note 1:** For details of the functions of ports P0 to P3 in modes other than single-chip mode, and how to use double-function ports as function I/O ports, refer to the applicable sections.

**2:** Make sure that the input level at each pin is either 0 V or Vcc during execution of the STP instruction.

When an input level is at an intermediate potential, a current will flow from Vcc to Vss through the input-stage gate.

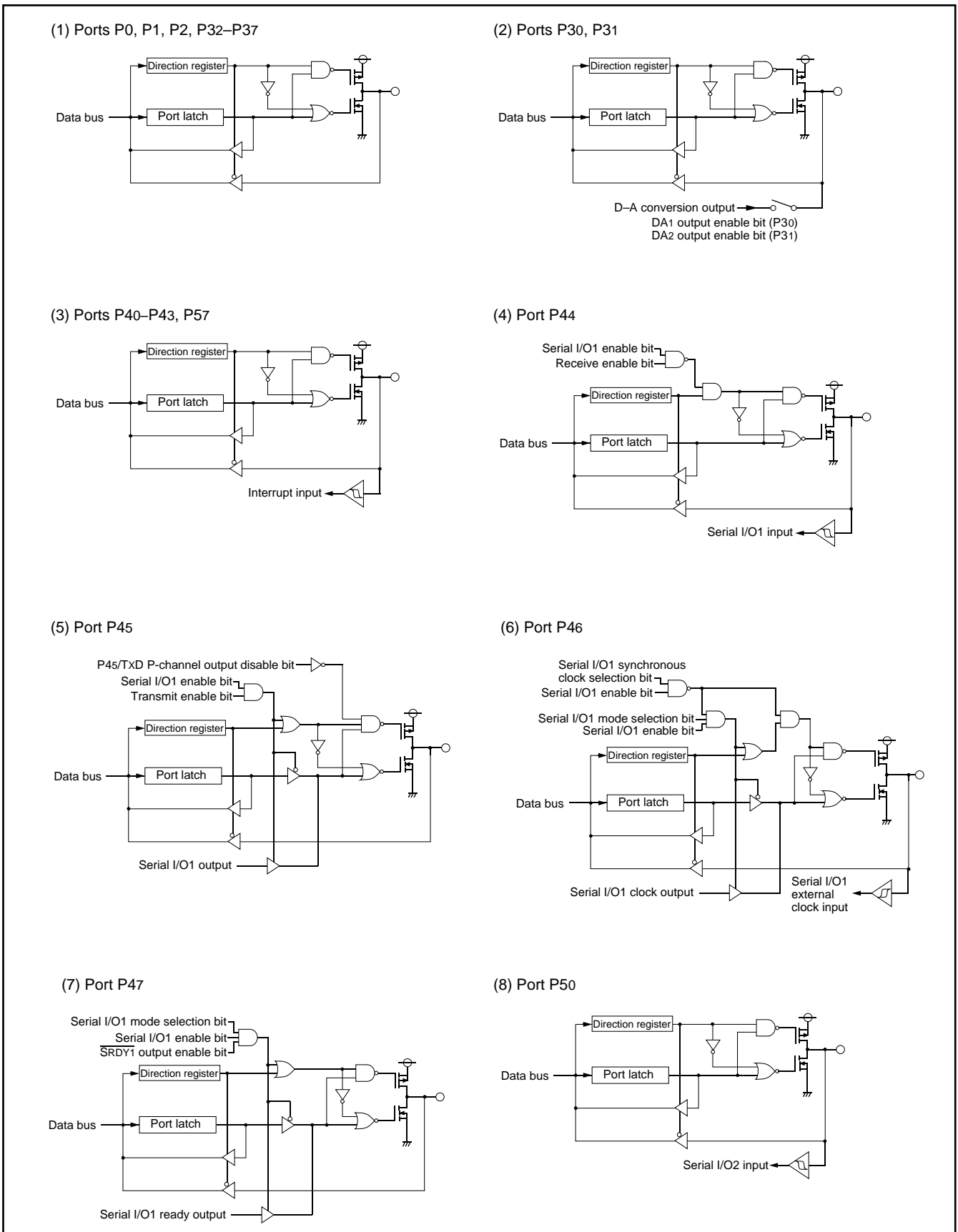


Fig. 4 Port block diagram (single-chip mode) (1)

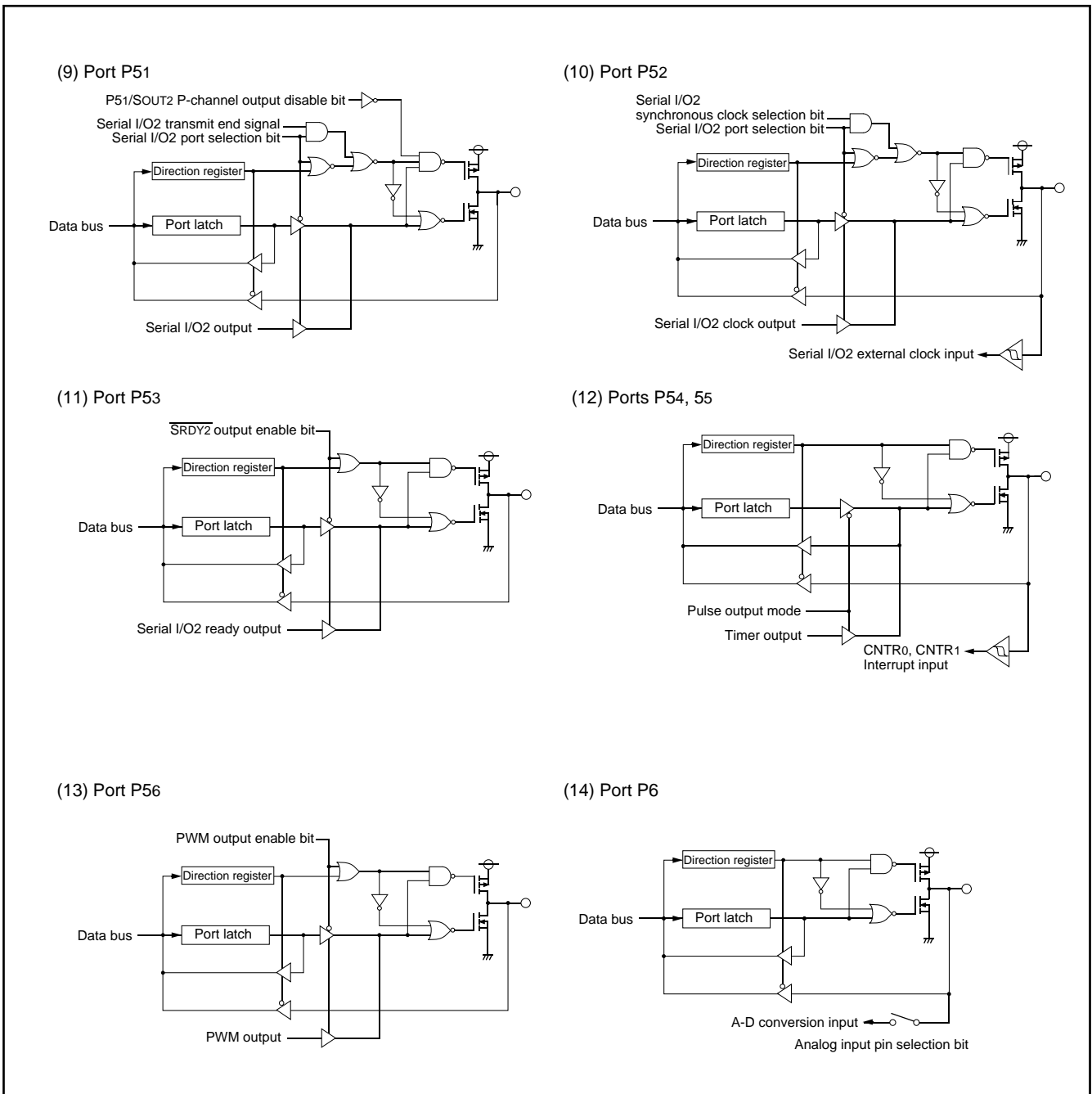


Fig. 5 Port block diagram (single-chip mode) (2)

## INTERRUPTS

Interrupts occur by sixteen sources: seven external, eight internal, and one software.

### Interrupt control

Each interrupt is controlled by an interrupt request bit, an interrupt enable bit, and the interrupt disable flag except for the software interrupt set by the BRK instruction. An interrupt occurs if the corresponding interrupt request and enable bits are "1" and the interrupt disable flag is "0".

Interrupt enable bits can be set or cleared by software.

Interrupt request bits can be cleared by software, but cannot be set by software.

The BRK instruction cannot be disabled with any flag or bit. The I (interrupt disable) flag disables all interrupts except the BRK instruction interrupt.

When several interrupts occur at the same time, the interrupts are received according to priority.

### Interrupt operation

When an interrupt is received, the contents of the program counter and processor status register are automatically stored into the stack. The interrupt disable flag is set to inhibit other interrupts from interfering. The corresponding interrupt request bit is cleared and the interrupt jump destination address is read from the vector table into the program counter.

### Notes on use

When the active edge of an external interrupt (INT<sub>0</sub> to INT<sub>4</sub>, CNTR<sub>0</sub>, or CNTR<sub>1</sub>) is changed, the corresponding interrupt request bit may also be set. Therefore, please take following sequence;

- (1) Disable the external interrupt which is selected.
- (2) Change the active edge selection.
- (3) Clear the interrupt request bit which is selected to "0".
- (4) Enable the external interrupt which is selected.

**Table 1. Interrupt vector addresses and priority**

Interrupt Source	Priority	Vector Addresses (Note 1)		Interrupt Request Generating Conditions	Remarks
		High	Low		
Reset (Note 2)	1	FFFD <sub>16</sub>	FFFC <sub>16</sub>	At reset	Non-maskable
INT <sub>0</sub>	2	FFFB <sub>16</sub>	FFFA <sub>16</sub>	At detection of either rising or falling edge of INT <sub>0</sub> input	External interrupt (active edge selectable)
INT <sub>1</sub>	3	FFF9 <sub>16</sub>	FFF8 <sub>16</sub>	At detection of either rising or falling edge of INT <sub>1</sub> input	External interrupt (active edge selectable)
Serial I/O1 reception	4	FFF7 <sub>16</sub>	FFF6 <sub>16</sub>	At completion of serial I/O1 data reception	Valid when serial I/O1 is selected
Serial I/O1 transmission	5	FFF5 <sub>16</sub>	FFF4 <sub>16</sub>	At completion of serial I/O1 transfer shift or when transmission buffer is empty	Valid when serial I/O1 is selected
Timer X	6	FFF3 <sub>16</sub>	FFF2 <sub>16</sub>	At timer X underflow	
Timer Y	7	FFF1 <sub>16</sub>	FFF0 <sub>16</sub>	At timer Y underflow	
Timer 1	8	FFEF <sub>16</sub>	FFEE <sub>16</sub>	At timer 1 underflow	STP release timer underflow
Timer 2	9	FFED <sub>16</sub>	FFEC <sub>16</sub>	At timer 2 underflow	
CNTR <sub>0</sub>	10	FFEB <sub>16</sub>	FFEA <sub>16</sub>	At detection of either rising or falling edge of CNTR <sub>0</sub> input	External interrupt (active edge selectable)
CNTR <sub>1</sub>	11	FFE9 <sub>16</sub>	FFE8 <sub>16</sub>	At detection of either rising or falling edge of CNTR <sub>1</sub> input	External interrupt (active edge selectable)
Serial I/O2	12	FFE7 <sub>16</sub>	FFE6 <sub>16</sub>	At completion of serial I/O2 data transfer	Valid when serial I/O2 is selected
INT <sub>2</sub>	13	FFE5 <sub>16</sub>	FFE4 <sub>16</sub>	At detection of either rising or falling edge of INT <sub>2</sub> input	External interrupt (active edge selectable)
INT <sub>3</sub>	14	FFE3 <sub>16</sub>	FFE2 <sub>16</sub>	At detection of either rising or falling edge of INT <sub>3</sub> input	External interrupt (active edge selectable)
INT <sub>4</sub>	15	FFE1 <sub>16</sub>	FFE0 <sub>16</sub>	At detection of either rising or falling edge of INT <sub>4</sub> input	External interrupt (active edge selectable)
A-D converter	16	FFDF <sub>16</sub>	FFDE <sub>16</sub>	At completion of A-D conversion	
BRK instruction	17	FFDD <sub>16</sub>	FFDC <sub>16</sub>	At BRK instruction execution	Non-maskable software interrupt

**Note 1:** Vector addresses contain interrupt jump destination addresses.

**Note 2:** Reset function in the same way as an interrupt with the highest priority.

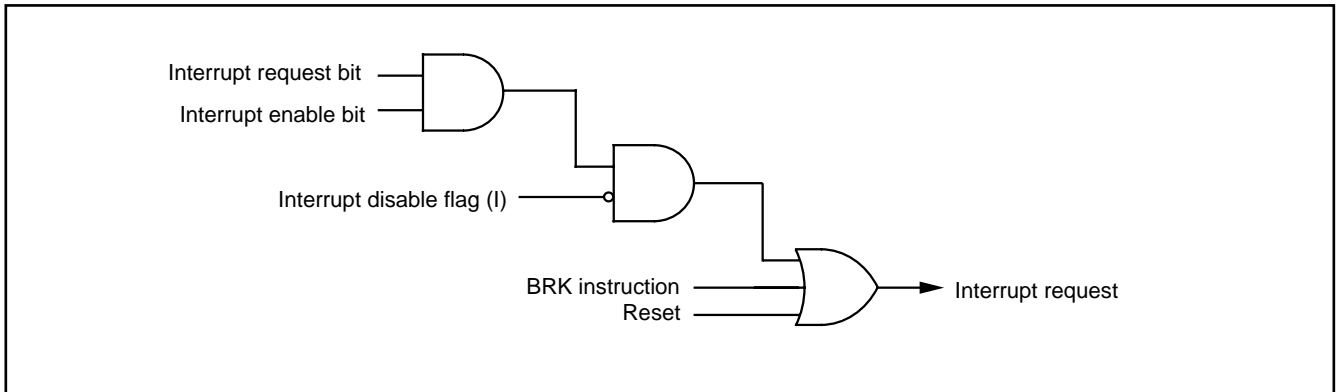


Fig. 6 Interrupt control

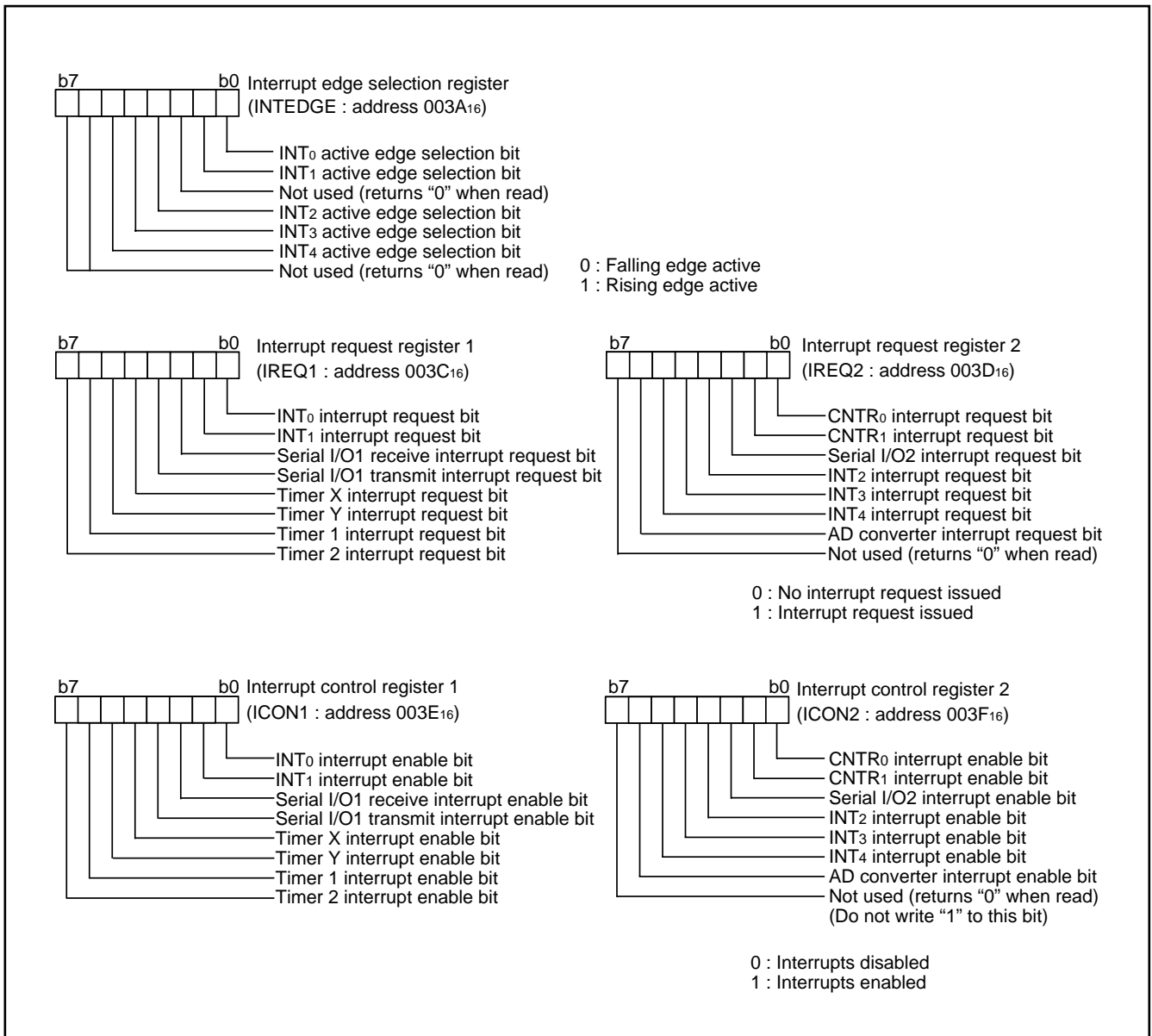


Fig. 7 Structure of interrupt-related registers



**Timers**

The 3802 group has four timers: timer X, timer Y, timer 1, and timer 2.

All timers are count down. When the timer reaches "0016", an underflow occurs at the next count pulse and the corresponding timer latch is reloaded into the timer and the count is continued. When a timer underflows, the interrupt request bit corresponding to that timer is set to "1".

The division ratio of each timer or prescaler is given by  $1/(n + 1)$ , where n is the value in the corresponding timer or prescaler latch.

**Timer 1 and Timer 2**

The count source of prescaler 12 is the oscillation frequency divided by 16. The output of prescaler 12 is counted by timer 1 and timer 2, and a timer underflow sets the interrupt request bit.

**Timer X and Timer Y**

Timer X and Timer Y can each be selected in one of four operating modes by setting the timer XY mode register.

**Timer Mode**

The timer counts  $f(XIN)/16$  in timer mode.

**Pulse Output Mode**

Timer X (or timer Y) counts  $f(XIN)/16$ . Whenever the contents of the timer reach "0016", the signal output from the CNTR0 (or CNTR1) pin is inverted. If the CNTR0 (or CNTR1) active edge switch bit is "0", output begins at "H".

If it is "1", output starts at "L". When using a timer in this mode, set the corresponding port P54 ( or port P55) direction register to output mode.

**Event Counter Mode**

Operation in event counter mode is the same as in timer mode, except the timer counts signals input through the CNTR0 or CNTR1 pin.

**Pulse Width Measurement Mode**

If the CNTR0 (or CNTR1) active edge selection bit is "0", the timer counts at the oscillation frequency divided by 16 while the CNTR0 (or CNTR1) pin is at "H". If the CNTR0 (or CNTR1) active edge switch bit is "1", the count continues during the time that the CNTR0 (or CNTR1) pin is at "L".

In all of these modes, the count can be stopped by setting the timer X (timer Y) count stop bit to "1". Every time a timer underflows, the corresponding interrupt request bit is set.

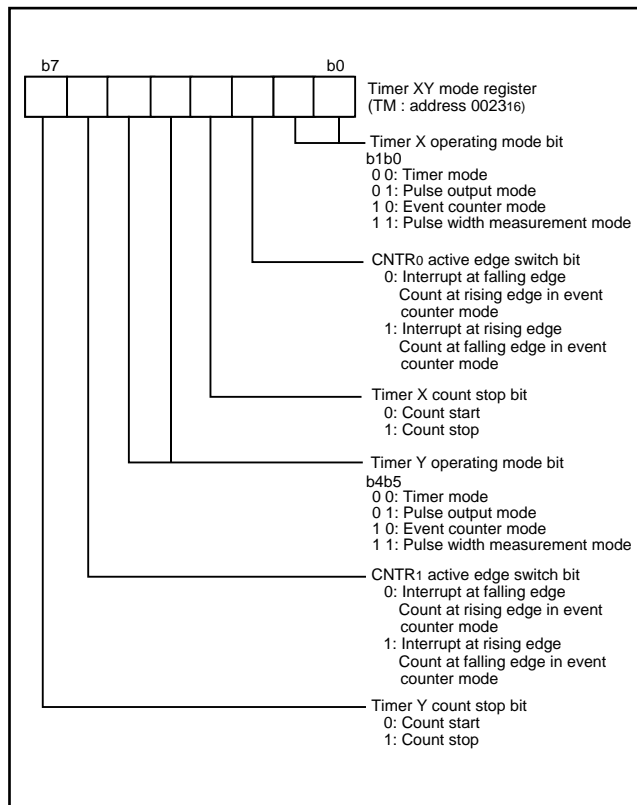


Fig. 8 Structure of timer XY register

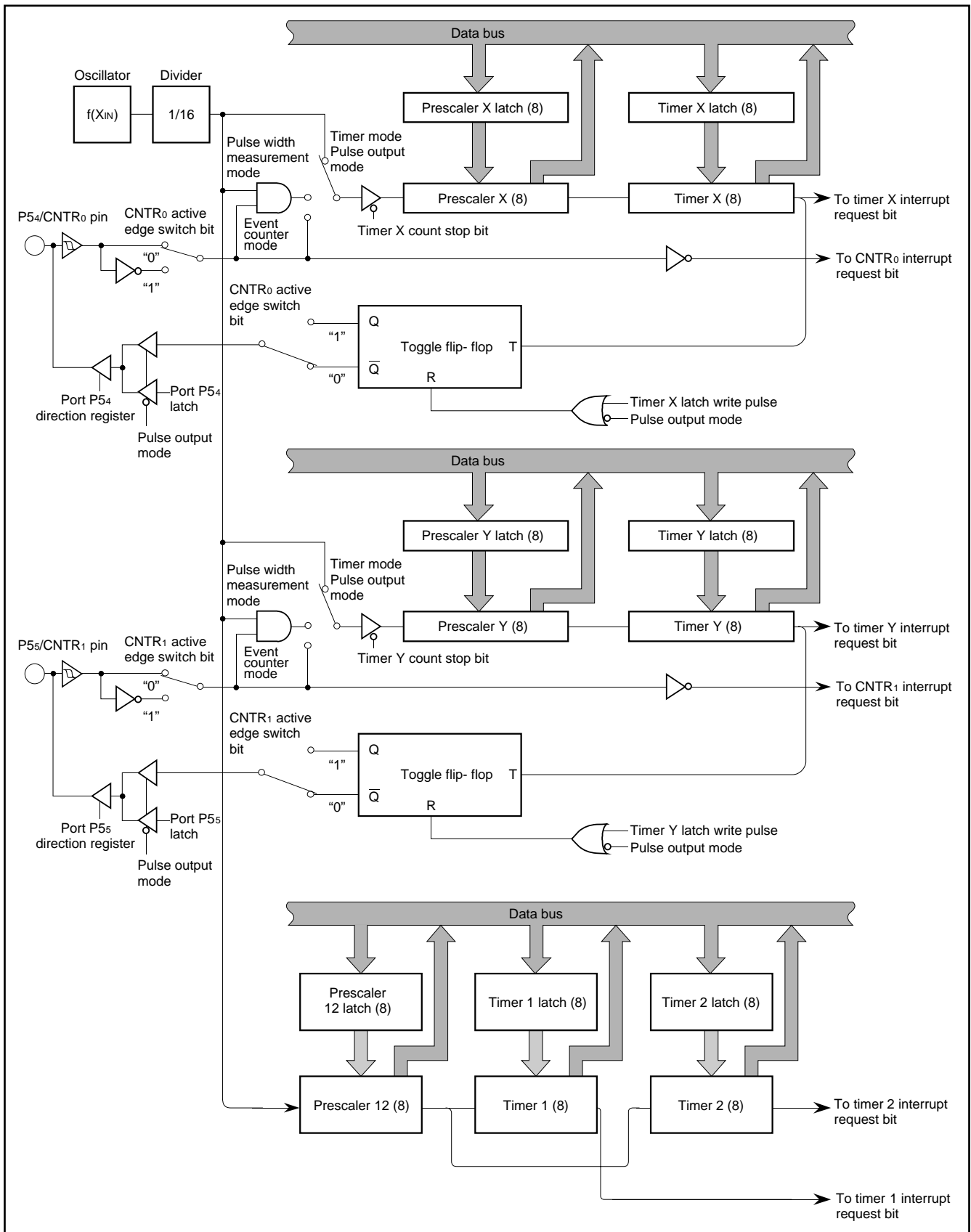


Fig. 9 Block diagram of timer X, timer Y, timer 1, and timer 2

**Serial I/O1**

Serial I/O1 can be used as either clock synchronous or asynchronous (UART) serial I/O. A dedicated timer is also provided for baud rate generation.

**Clock synchronous serial I/O mode**

Clock synchronous serial I/O1 mode can be selected by setting the mode selection bit of the serial I/O1 control register to "1". For clock synchronous serial I/O1, the transmitter and the receiver must use the same clock. If an internal clock is used, transfer is started by a write signal to the TB/RB (address 001816).

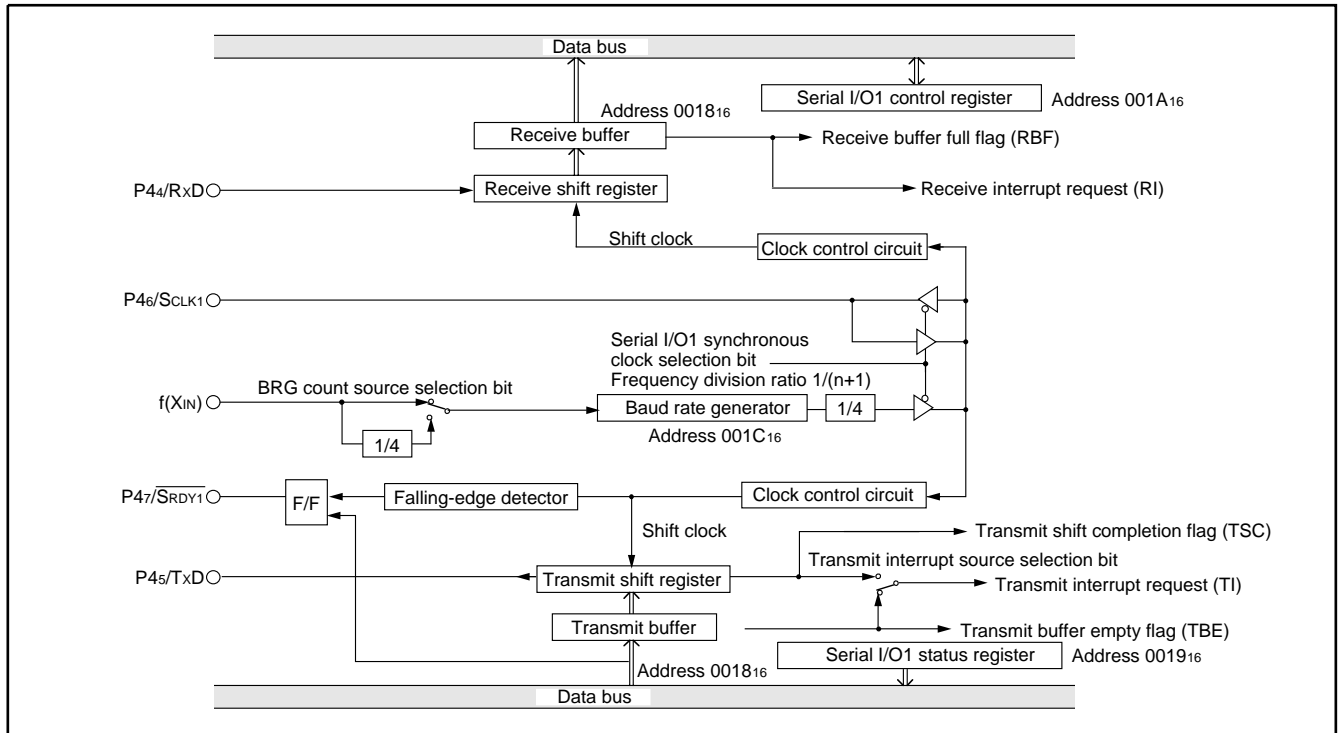


Fig. 10 Block diagram of clock synchronous serial I/O1

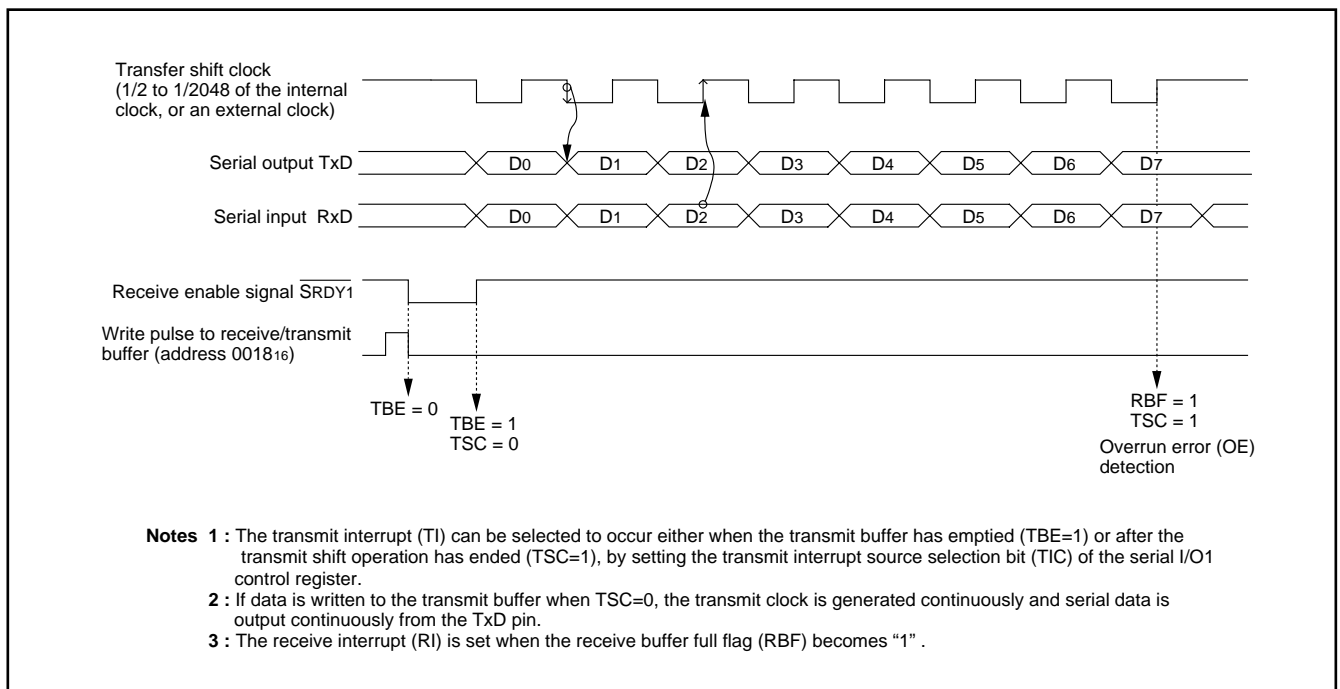


Fig. 11 Operation of clock synchronous serial I/O1 function

**Asynchronous serial I/O (UART) mode**

Clock asynchronous serial I/O mode (UART) can be selected by clearing the serial I/O mode selection bit of the serial I/O control register to "0".

Eight serial data transfer formats can be selected, and the transfer formats used by a transmitter and receiver must be identical.

The transmit and receive shift registers each have a buffer, but the

two buffers have the same address in memory. Since the shift register cannot be written to or read from directly, transmit data is written to the transmit buffer, and receive data is read from the receive buffer.

The transmit buffer can also hold the next data to be transmitted, and the receive buffer can hold a character while the next character is being received.

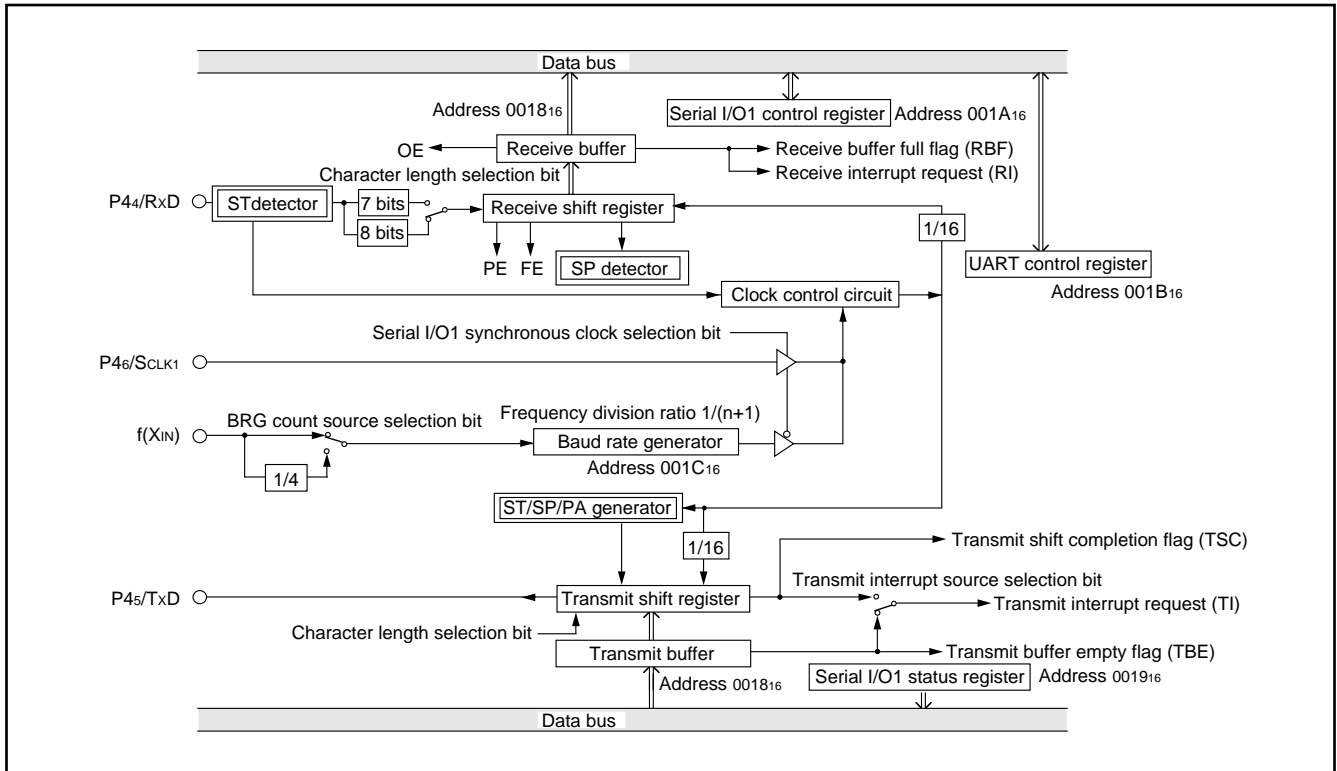


Fig. 12 Block diagram of UART serial I/O

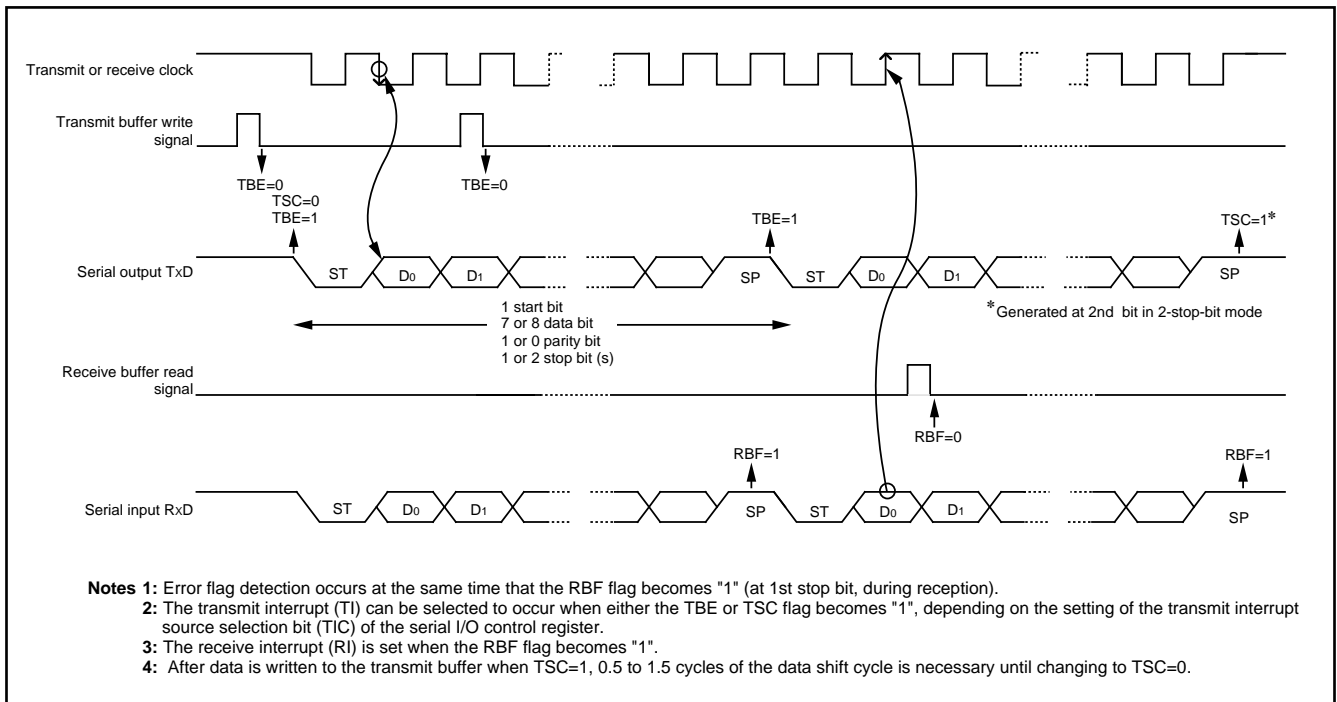


Fig. 13 Operation of UART serial I/O function

### Serial I/O1 control register (SIO1CON) 001A16

The serial I/O control register consists of eight control bits for the serial I/O function.

### UART control register (UARTCON) 001B16

The UART control register consists of four control bits (bits 0 to 3) which are valid when asynchronous serial I/O is selected and set the data format of an data transfer. One bit in this register (bit 4) is always valid and sets the output structure of the P45/TxD pin.

### Serial I/O1 status register (SIO1STS) 001916

The read-only serial I/O1 status register consists of seven flags (bits 0 to 6) which indicate the operating status of the serial I/O function and various errors.

Three of the flags (bits 4 to 6) are valid only in UART mode.

The receive buffer full flag (bit 1) is cleared to "0" when the receive buffer is read.

If there is an error, it is detected at the same time that data is transferred from the receive shift register to the receive buffer, and the receive buffer full flag is set. A write to the serial I/O status register clears all the error flags OE, PE, FE, and SE (bit 3 to bit 6, re-

spectively). Writing "0" to the serial I/O enable bit SIOE (bit 7 of the Serial I/O Control Register) also clears all the status flags, including the error flags.

All bits of the serial I/O1 status register are initialized to "0" at reset, but if the transmit enable bit (bit 4) of the serial I/O control register has been set to "1", the transmit shift completion flag (bit 2) and the transmit buffer empty flag (bit 0) become "1".

### Transmit buffer/Receive buffer register (TB/RB) 001816

The transmit buffer and the receive buffer are located at the same address. The transmit buffer is write-only and the receive buffer is read-only. If a character bit length is 7 bits, the MSB of data stored in the receive buffer is "0".

### Baud rate generator (BRG) 001C16

The baud rate generator determines the baud rate for serial transfer.

The baud rate generator divides the frequency of the count source by  $1/(n + 1)$ , where  $n$  is the value written to the baud rate generator.

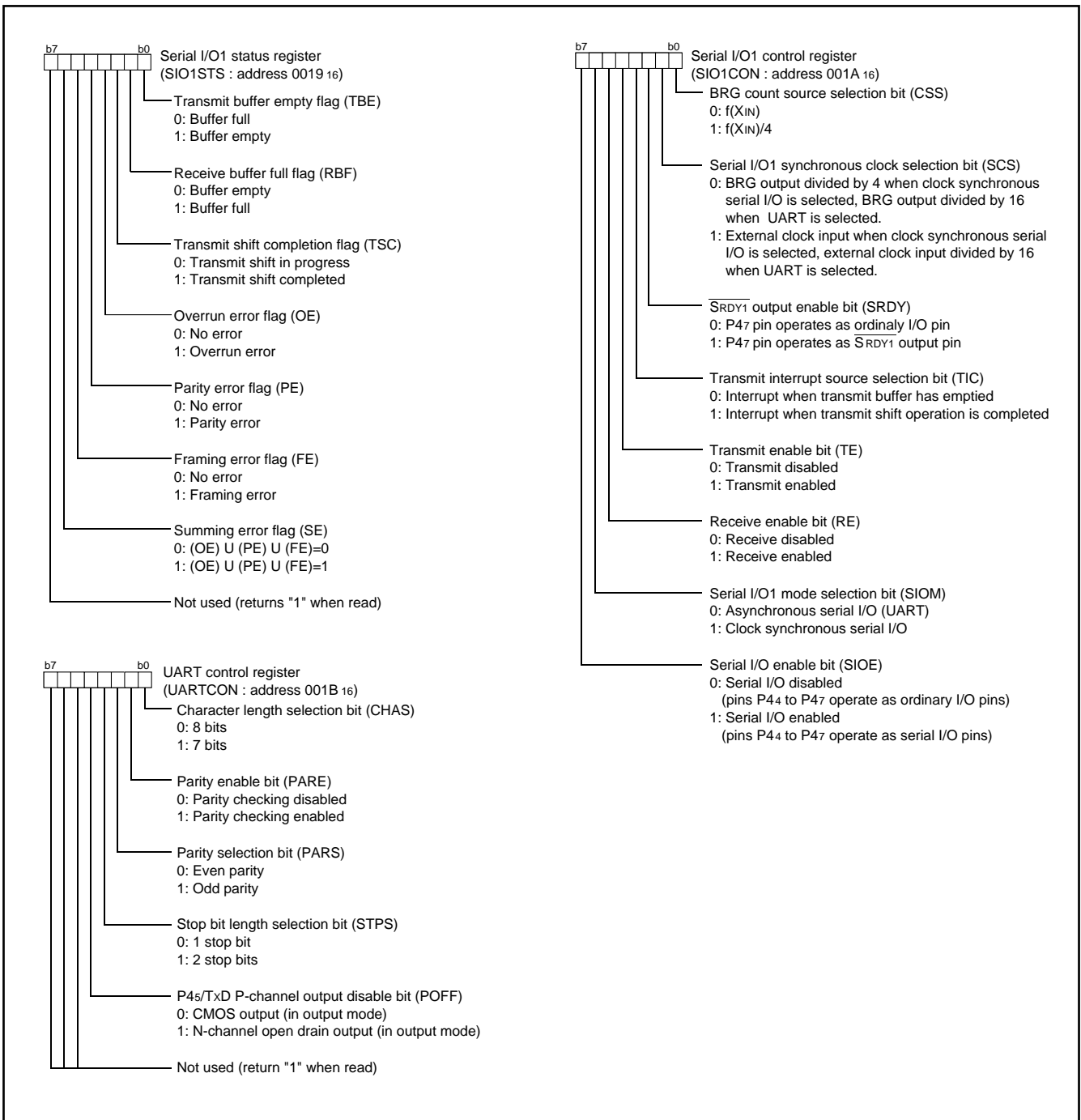


Fig. 14 Structure of serial I/O control registers

**Serial I/O2**

The serial I/O2 function can be used only for clock synchronous serial I/O.

For clock synchronous serial I/O the transmitter and the receiver must use the same clock. If the internal clock is used, transfer is started by a write signal to the serial I/O2 register.

**Serial I/O2 control register (SIO2CON) 001D16**

The serial I/O2 control register contains seven bits which control various serial I/O functions.

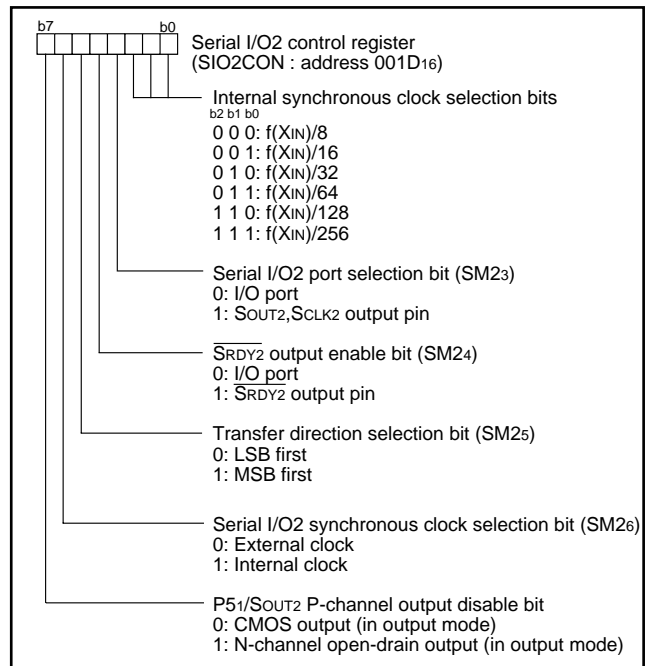


Fig. 15 Structure of serial I/O2 control register

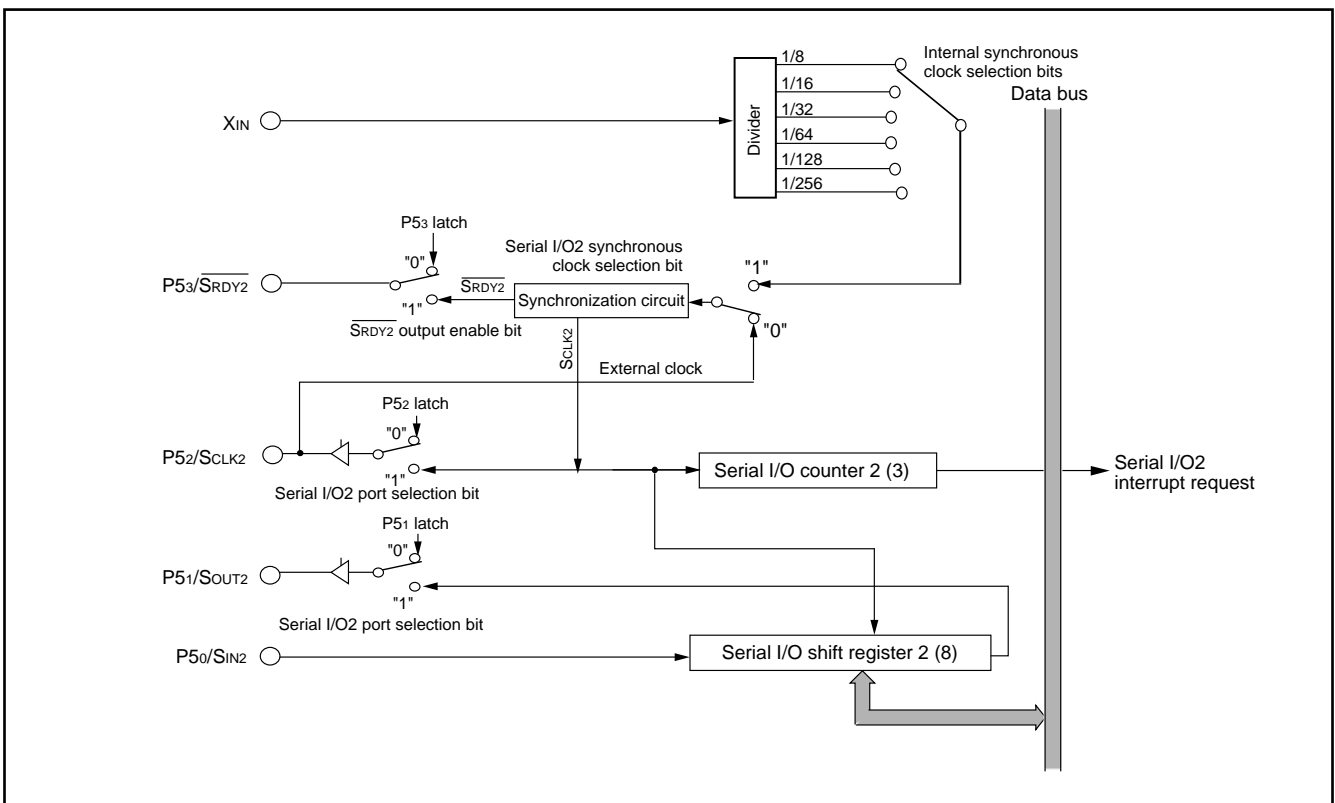


Fig. 16 Block diagram of serial I/O2 function

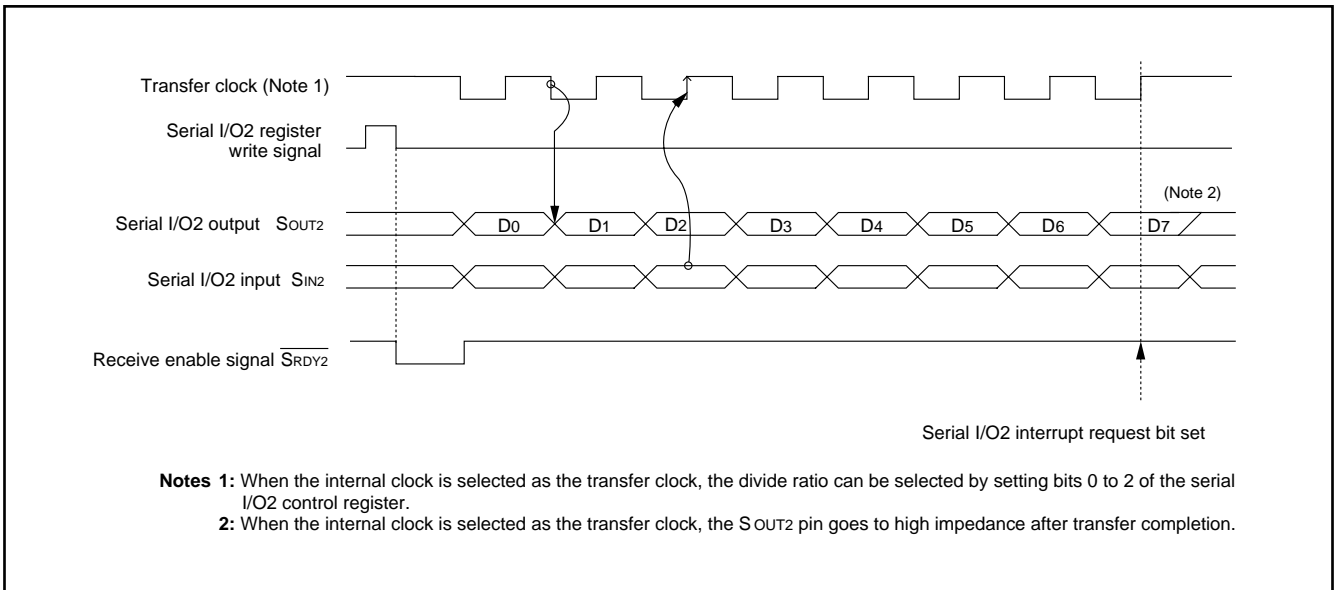


Fig. 17 Timing of serial I/O2 function



**PULSE WIDTH MODULATION (PWM)**

The 3802 group has a PWM function with an 8-bit resolution, based on a signal that is the clock input X<sub>IN</sub> or that clock input divided by 2.

**Data Setting**

The PWM output pin also functions as port P5<sub>6</sub>. Set the PWM period by the PWM prescaler, and set the period during which the output pulse is an "H" by the PWM register.

If the value in the PWM prescaler is n and the value in the PWM register is m (where n = 0 to 255 and m = 0 to 255) :

$$\begin{aligned} \text{PWM period} &= 255 \times (n+1) / f(X_{IN}) \\ &= 51 \times (n+1) \mu\text{s} \text{ (when } X_{IN} = 5 \text{ MHz)} \end{aligned}$$

$$\begin{aligned} \text{Output pulse "H" period} &= \text{PWM period} \times m / 255 \\ &= 0.2 \times (n+1) \times m \mu\text{s} \\ &\text{(when } X_{IN} = 5 \text{ MHz)} \end{aligned}$$

**PWM Operation**

When bit 0 (PWM enable bit) of the PWM control register is set to "1", operation starts by initializing the PWM output circuit, and pulses are output starting at an "H".

If the PWM register or PWM prescaler is updated during PWM output, the pulses will change in the cycle after the one in which the change was made.

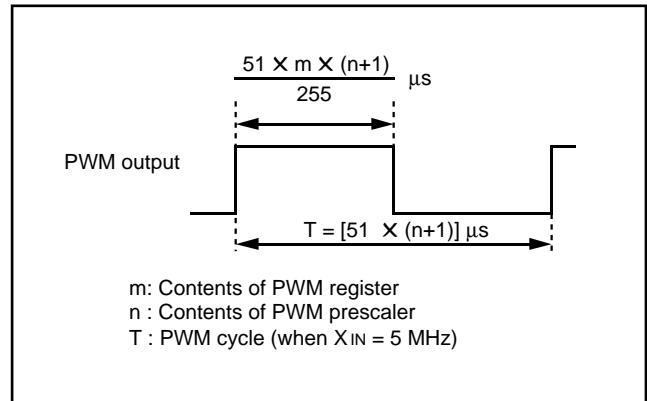


Fig. 18 Timing of PWM cycle

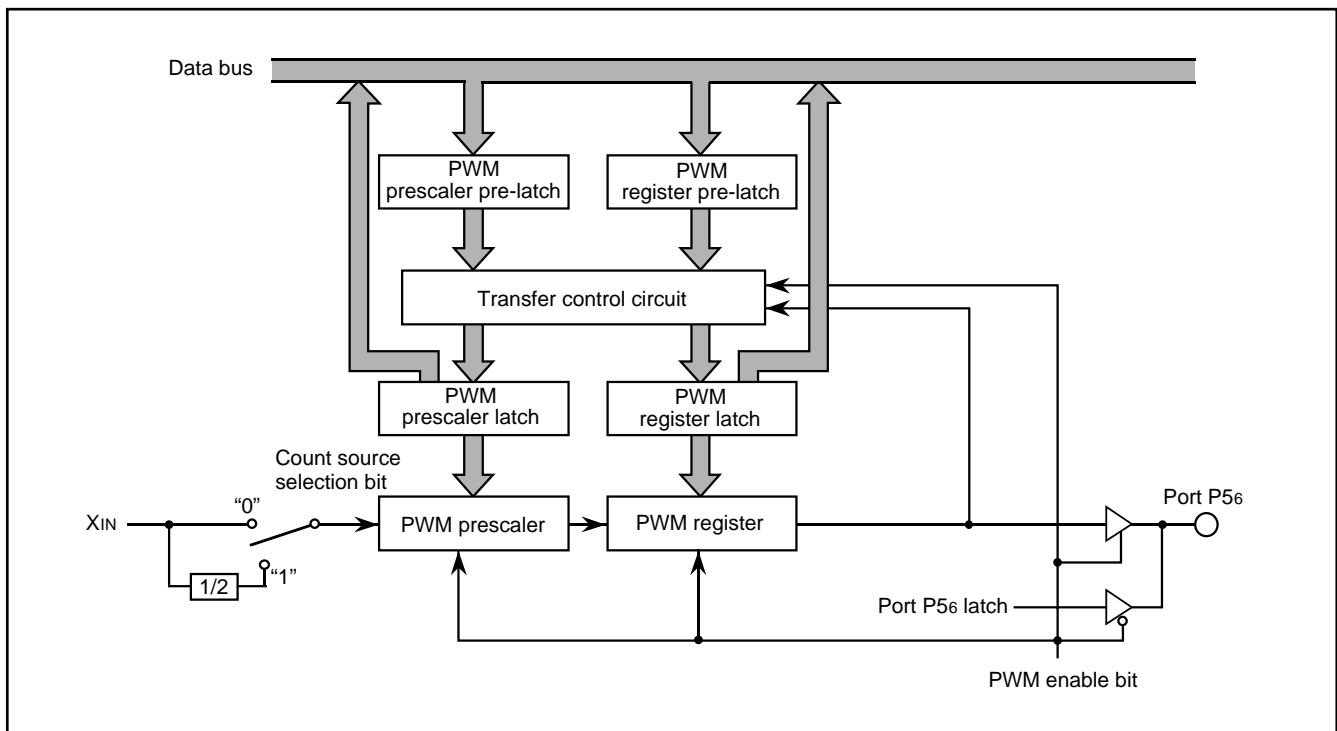


Fig. 19 Block diagram of PWM function

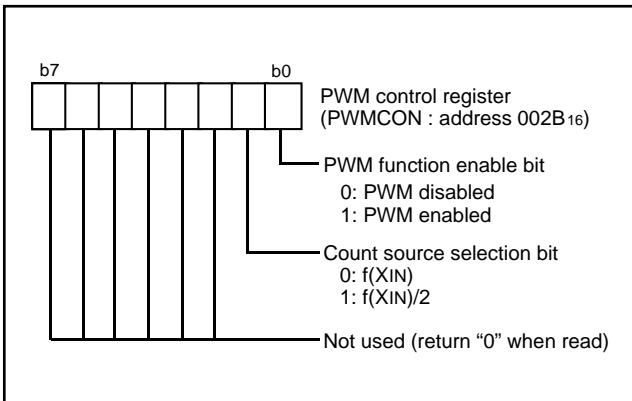


Fig. 20 Structure of PWM control register

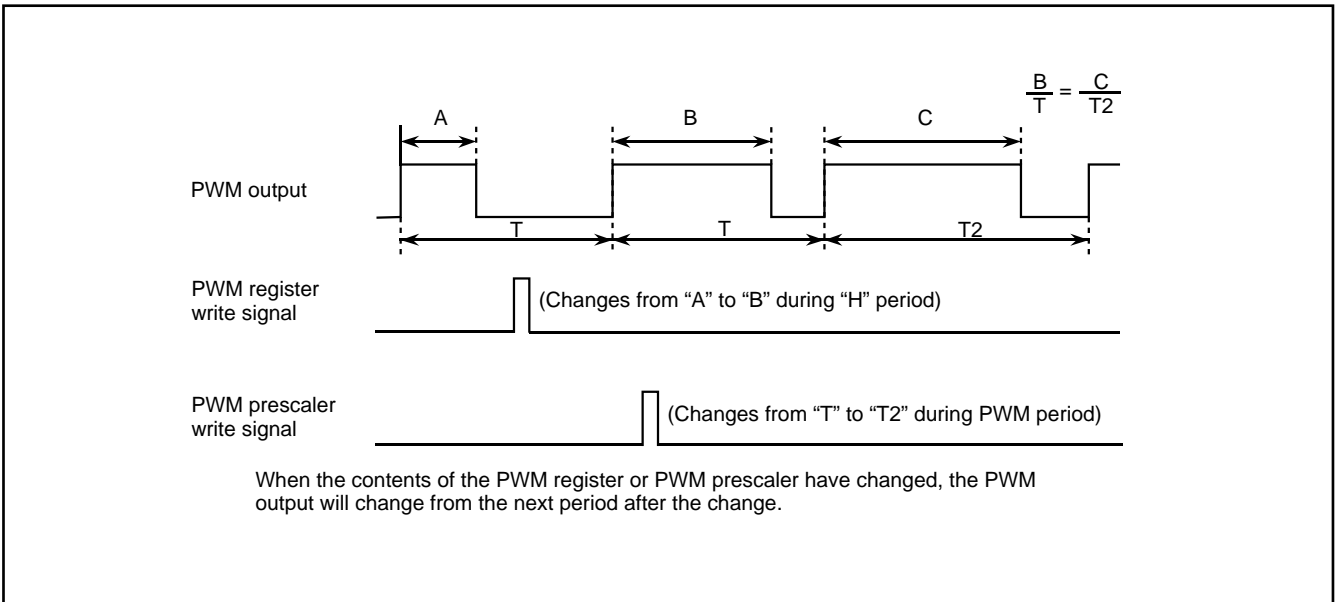


Fig. 21 PWM output timing when PWM register or PWM prescaler is changed

**A-D Converter**

The functional blocks of the A-D converter are described below.

**[A-D conversion register]**

The A-D conversion register is a read-only register that stores the result of an A-D conversion. When reading this register during an A-D conversion, the previous conversion result is read.

**[AD/DA control register]**

The AD/DA control register controls the A-D conversion process. Bits 0 to 2 select a specific analog input pin. Bit 3 signals the completion of an A-D conversion. The value of this bit remains at "0" during an A-D conversion, and changes to "1" when an A-D conversion ends. Writing "0" to this bit starts the A-D conversion. Bits 6 and 7 are used to control the output of the D-A converter.

**[Comparison voltage generator]**

The comparison voltage generator divides the voltage between AVSS and VREF into 256, and outputs the divided voltages.

**[Channel selector]**

The channel selector selects one of the ports P60/AN0 to P67/AN7, and inputs the voltage to the comparator.

**[Comparator and Control circuit]**

The comparator and control circuit compares an analog input voltage with the comparison voltage, then stores the result in the A-D conversion register. When an A-D conversion is complete, the control circuit sets the AD conversion completion bit and the AD interrupt request bit to "1".

Note that the comparator is constructed linked to a capacitor, so set f(XIN) to 500 kHz or more during an A-D conversion.

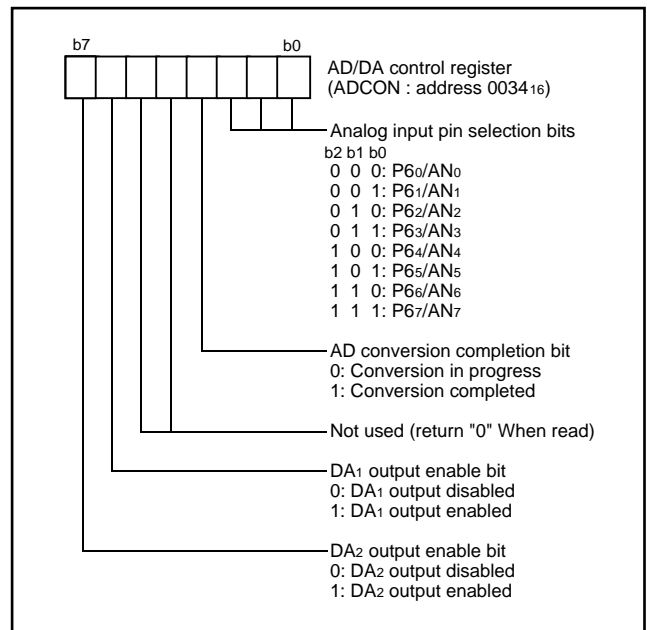


Fig.22 Structure of AD/DA control register

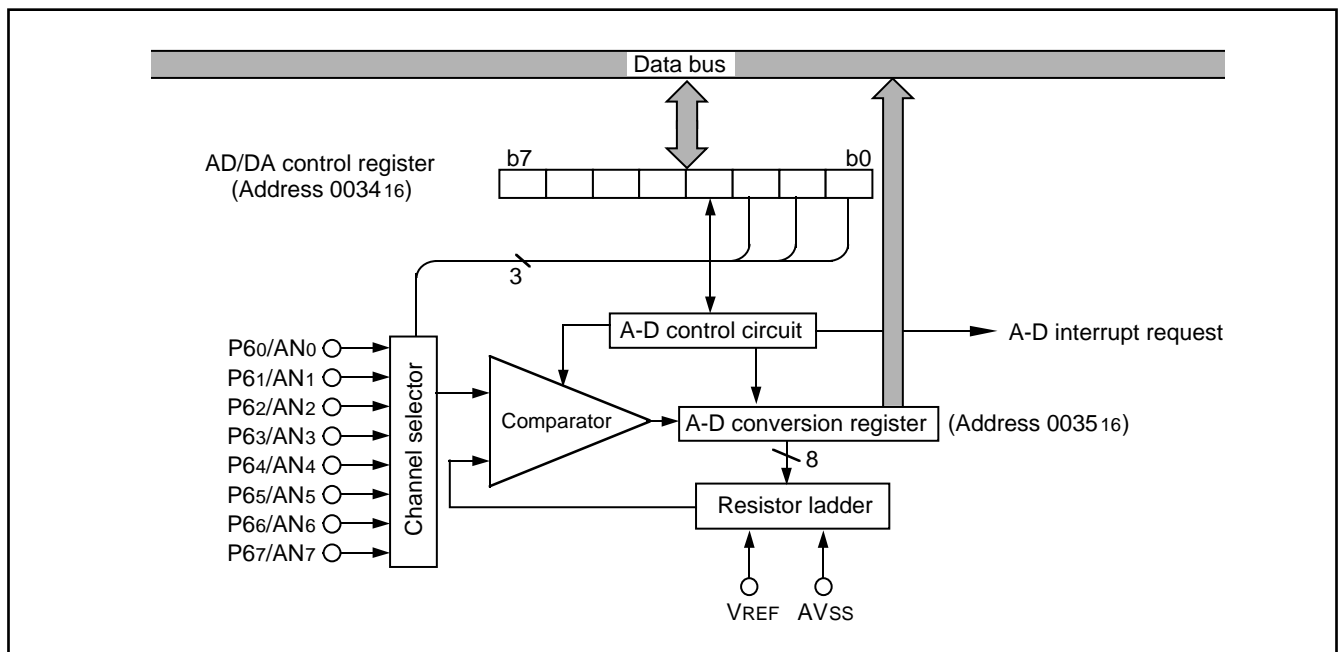


Fig. 23 Block diagram of A-D converter

**D-A Converter**

The 3802 group has two internal D-A converters (DA1 and DA2) with 8-bit resolutions.

The D-A converter is performed by setting the value in the D-A conversion register. The result of D-A converter is output from the DA1 or DA2 pin by setting the DA output enable bit to "1".

When using the D-A converter, the corresponding port direction register bit (P30/DA1 or P31/DA2) should be set to "0" (input status).

The output analog voltage V is determined by the value n (base 10) in the D-A conversion register as follows:

$$V = V_{REF} \times n / 256 \quad (n = 0 \text{ to } 255)$$

Where  $V_{REF}$  is the reference voltage.

At reset, the D-A conversion registers are cleared to "0016", the DA output enable bits are cleared to "0", and the P30/DA1 and P31/DA2 pins are set to input (high impedance).

The D-A output is not buffered, so connect an external buffer when driving a low-impedance load.

Set  $V_{CC}$  to 3.0 V or more when using the D-A converter.

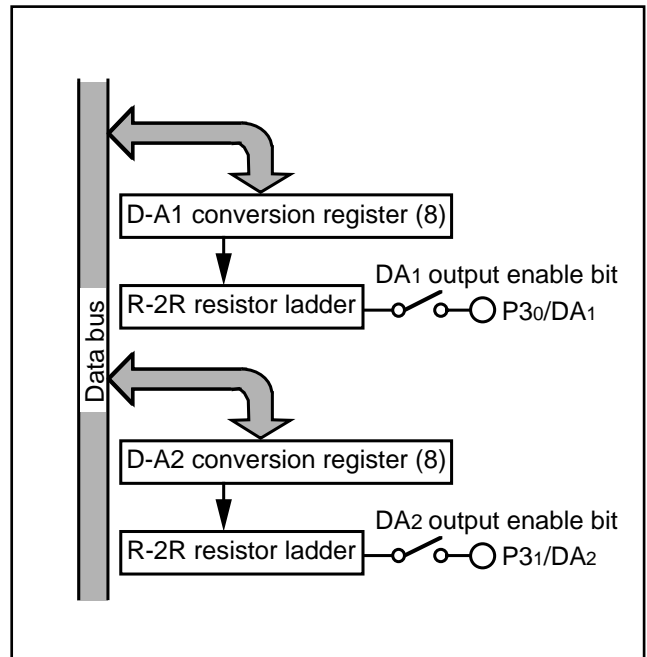


Fig. 24 Block diagram of D-A converter

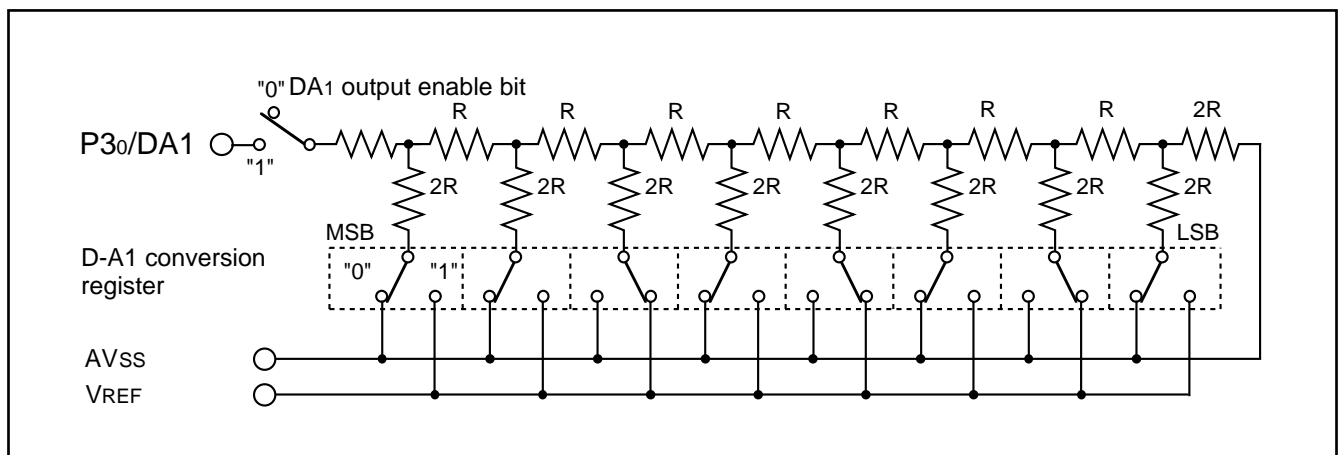


Fig. 25 Equivalent connection circuit of D-A converter

**Reset Circuit**

To reset the microcomputer, the  $\overline{\text{RESET}}$  pin should be held at an “L” level for 2  $\mu\text{s}$  or more. Then the  $\overline{\text{RESET}}$  pin is returned to an “H” level (the power source voltage should be between 4.0 V and 5.5 V), reset is released. Internal operation begin until after 8 to 13  $X_{\text{IN}}$  clock cycles are completed. After the reset is completed, the program starts from the address contained in address  $\text{FFFD}_{16}$  (high-order byte) and address  $\text{FFFC}_{16}$  (low-order byte).

Make sure that the reset input voltage is less than 0.6 V for  $V_{\text{CC}}$  of 3.0 V (Extended operating temperature version : the reset input voltage is less than 0.8 V for  $V_{\text{CC}}$  of 4.0 V).

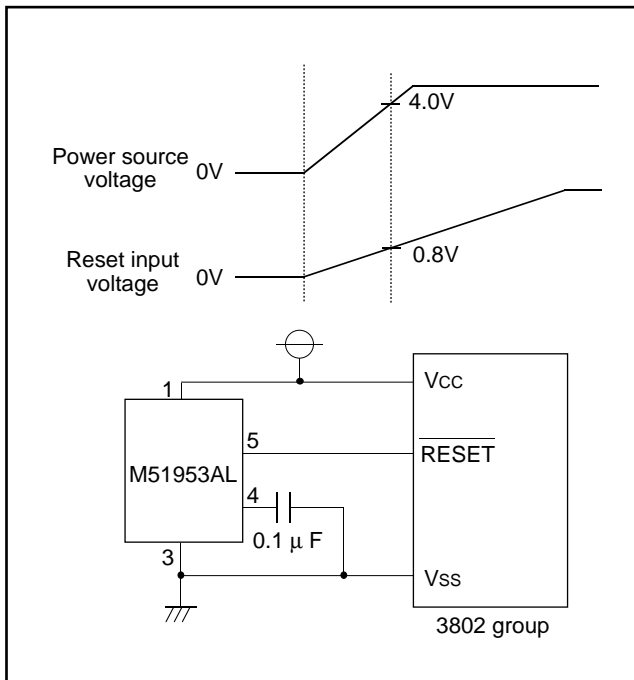


Fig. 26 Example of reset circuit

	Address	Register contents
(1) Port P0 direction register	(0001 <sub>16</sub> ) . . .	00 <sub>16</sub>
(2) Port P1 direction register	(0003 <sub>16</sub> ) . . .	00 <sub>16</sub>
(3) Port P2 direction register	(0005 <sub>16</sub> ) . . .	00 <sub>16</sub>
(4) Port P3 direction register	(0007 <sub>16</sub> ) . . .	00 <sub>16</sub>
(5) Port P4 direction register	(0009 <sub>16</sub> ) . . .	00 <sub>16</sub>
(6) Port P5 direction register	(000B <sub>16</sub> ) . . .	00 <sub>16</sub>
(7) Port P6 direction register	(000D <sub>16</sub> ) . . .	00 <sub>16</sub>
(8) Serial I/O1 status register	(0019 <sub>16</sub> ) . . .	1 0 0 0 0 0 0 0
(9) Serial I/O1 control register	(001A <sub>16</sub> ) . . .	00 <sub>16</sub>
(10) UART control register	(001B <sub>16</sub> ) . . .	1 1 1 1 0 0 0 0
(11) Serial I/O2 control register	(001D <sub>16</sub> ) . . .	00 <sub>16</sub>
(12) Prescaler 12	(0020 <sub>16</sub> ) . . .	FF <sub>16</sub>
(13) Timer 1	(0021 <sub>16</sub> ) . . .	01 <sub>16</sub>
(14) Timer 2	(0022 <sub>16</sub> ) . . .	FF <sub>16</sub>
(15) Timer XY mode register	(0023 <sub>16</sub> ) . . .	00 <sub>16</sub>
(16) Prescaler X	(0024 <sub>16</sub> ) . . .	FF <sub>16</sub>
(17) Timer X	(0025 <sub>16</sub> ) . . .	FF <sub>16</sub>
(18) Prescaler Y	(0026 <sub>16</sub> ) . . .	FF <sub>16</sub>
(19) Timer Y	(0027 <sub>16</sub> ) . . .	FF <sub>16</sub>
(20) PWM control register	(002B <sub>16</sub> ) . . .	00 <sub>16</sub>
(21) AD/DA control register	(0034 <sub>16</sub> ) . . .	0 0 0 0 0 1 0 0
(22) D-A1 conversion register	(0036 <sub>16</sub> ) . . .	00 <sub>16</sub>
(23) D-A2 conversion register	(0037 <sub>16</sub> ) . . .	00 <sub>16</sub>
(24) Interrupt edge selection register	(003A <sub>16</sub> ) . . .	00 <sub>16</sub>
(25) CPU mode register	(003B <sub>16</sub> ) . . .	0 0 0 0 0 0 0 *
(26) Interrupt request register 1	(003C <sub>16</sub> ) . . .	00 <sub>16</sub>
(27) Interrupt request register 2	(003D <sub>16</sub> ) . . .	00 <sub>16</sub>
(28) Interrupt control register 1	(003E <sub>16</sub> ) . . .	00 <sub>16</sub>
(29) Interrupt control register 2	(003F <sub>16</sub> ) . . .	00 <sub>16</sub>
(30) Processor status register	(PS)	x x x x x 1 x x
(31) Program counter	(PC <sub>H</sub> )	Contents of address $\text{FFFD}_{16}$
	(PC <sub>L</sub> )	Contents of address $\text{FFFC}_{16}$

Note. x : Undefined  
 \* : The initial values of CM<sub>1</sub> are determined by the level at the CNV<sub>SS</sub> pin.  
 The contents of all other registers and RAM are undefined after a reset, so they must be initialized by software.

Fig. 27 Internal status of microcomputer after reset

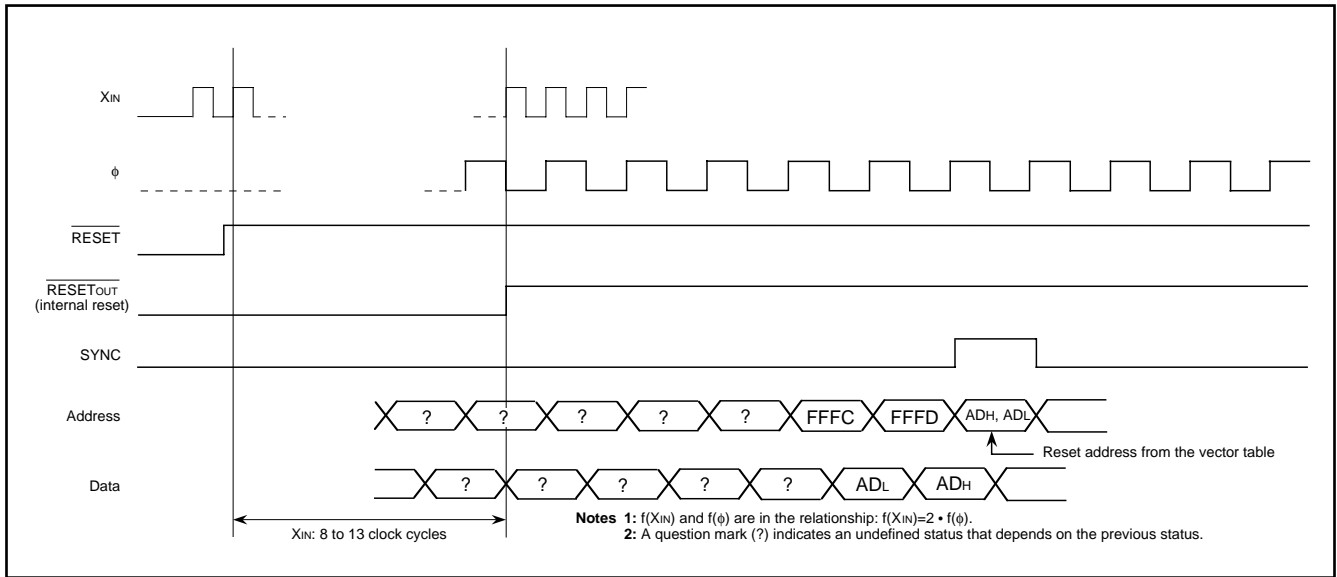


Fig. 28 Timing of reset

**Clock Generating Circuit**

An oscillation circuit can be formed by connecting a resonator between XIN and XOUT. To supply a clock signal externally, input it to the XIN pin and make the XOUT pin open.

**Oscillation control**

**Stop Mode**

If the STP instruction is executed, the internal clock  $\phi$  stops at an "H". Timer 1 is set to "0116" and prescaler 12 is set to "FF16". Oscillator restarts when an external interrupt is received, but the internal clock  $\phi$  remains at an "H" until timer 1 underflow. This allows time for the clock circuit oscillation to stabilize. If oscillator is restarted by a reset, no wait time is generated, so keep the  $\overline{\text{RESET}}$  pin at an "L" level until oscillation has stabilized.

**Wait Mode**

If the WIT instruction is executed, the internal clock  $\phi$  stops at an "H" level, but the oscillator itself does not stop. The internal clock restarts if a reset occurs or when an interrupt is received. Since the oscillator does not stop, normal operation can be started immediately after the clock is restarted. To ensure that interrupts will be received to release the STP or WIT state, interrupt enable bits must be set to "1" before the STP or WIT instruction is executed.

When the STP status is released, prescaler 12 and timer 1 will start counting and reset will not be released until timer 1 underflows, so set the timer 1 interrupt enable bit to "0" before the STP instruction is executed.

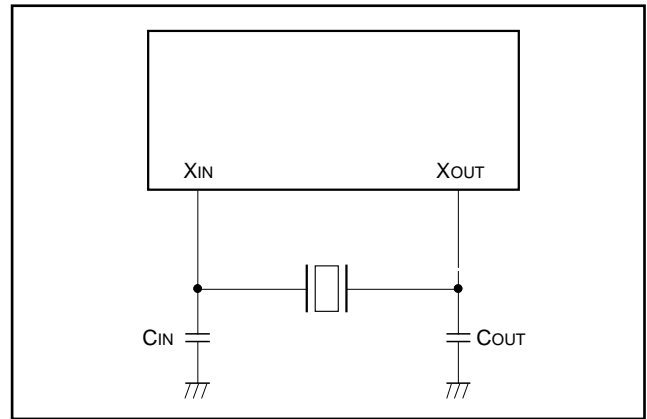


Fig. 29 Ceramic resonator circuit

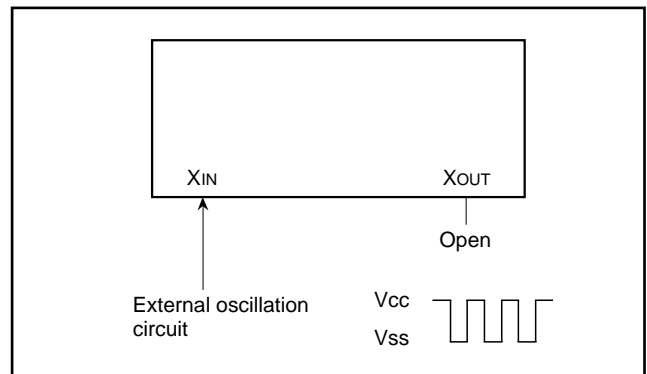


Fig. 30 External clock input circuit

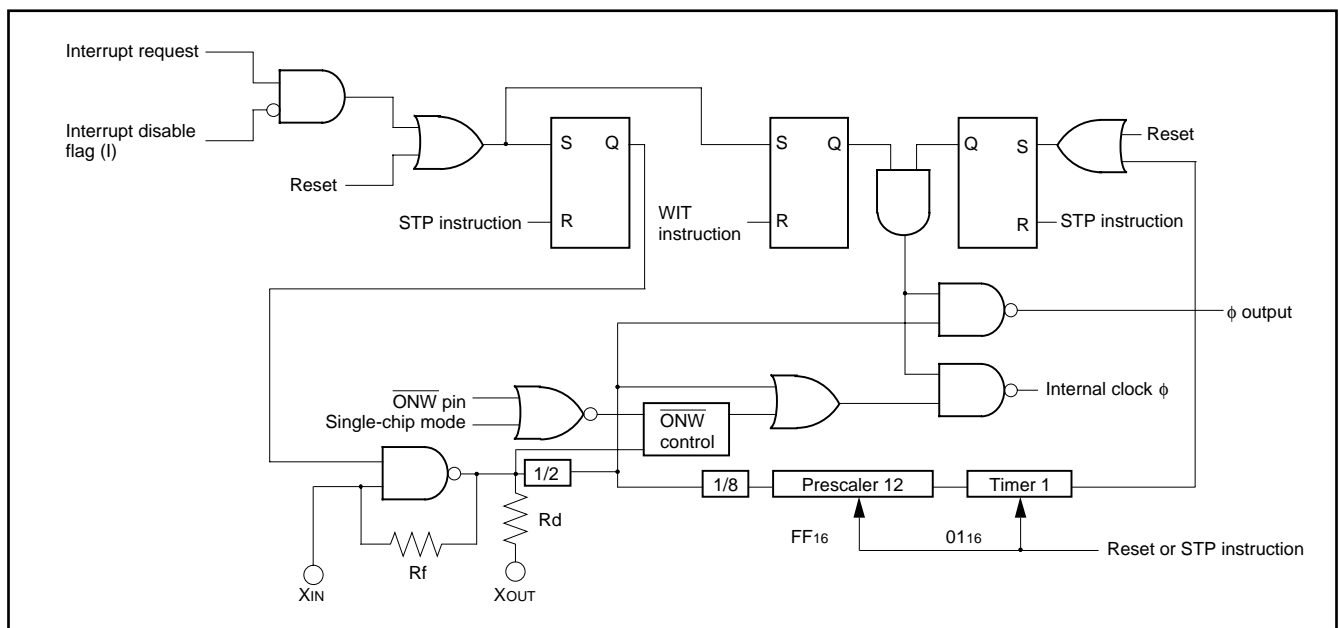


Fig. 31 Block diagram of clock generating circuit

**Processor Modes**

Single-chip mode, memory expansion mode, and microprocessor mode can be selected by changing the contents of the processor mode bits CM0 and CM1 (bits 0 and 1 of address 003B16). In memory expansion mode and microprocessor mode, memory can be expanded externally through ports P0 to P3. In these modes, ports P0 to P3 lose their I/O port functions and become bus pins.

**Table 2. Functions of ports in memory expansion mode and microprocessor mode**

Port Name	Function
Port P0	Outputs low-order byte of address.
Port P1	Outputs high-order byte of address.
Port P2	Operates as I/O pins for data D7 to D0 (including instruction codes).
Port P3	P30 and P31 function only as output pins (except that the port latch cannot be read). P32 is the $\overline{ONW}$ input pin. P33 is the $\overline{RESETOUT}$ output pin. (Note) P34 is the $\phi$ output pin. P35 is the SYNC output pin. P36 is the $\overline{WR}$ output pin, and P37 is the $\overline{RD}$ output pin.

**Note:** If CNVss is connected to Vss, the microcomputer goes to single-chip mode after a reset, so this pin cannot be used as the  $\overline{RESETOUT}$  output pin.

**Single-Chip Mode**

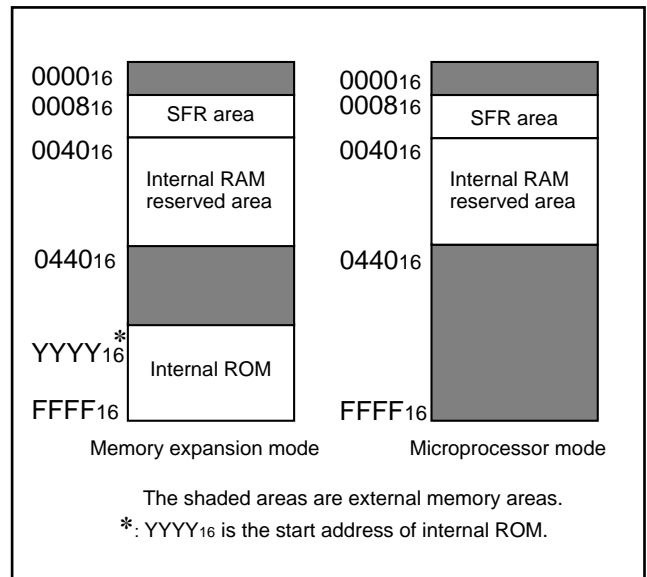
Select this mode by resetting the microcomputer with CNVss connected to Vss.

**Memory Expansion Mode**

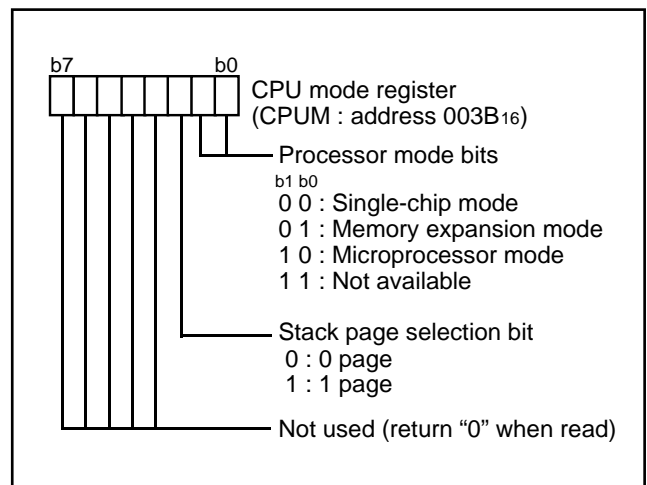
Select this mode by setting the processor mode bits to "01" in software with CNVss connected to Vss. This mode enables external memory expansion while maintaining the validity of the internal ROM. Internal ROM will take precedence over external memory if addresses conflict.

**Microprocessor Mode**

Select this mode by resetting the microcomputer with CNVss connected to Vcc, or by setting the processor mode bits to "10" in software with CNVss connected to Vss. In microprocessor mode, the internal ROM is no longer valid and external memory must be used.



**Fig. 32 Memory maps in various processor modes**



**Fig. 33 Structure of CPU mode register**



**Bus control with memory expansion**

The 3802 group has a built-in  $\overline{\text{ONW}}$  function to facilitate access to external memory and I/O devices in memory expansion mode or microprocessor mode.

If an "L" level signal is input to the  $\overline{\text{ONW}}$  pin when the CPU is in a read or write state, the corresponding read or write cycle is extended by one cycle of  $\phi$ . During this extended period, the  $\overline{\text{RD}}$  or  $\overline{\text{WR}}$  signal remains at "L". This extension period is valid only for writing to and reading from addresses 0000<sub>16</sub> to 0007<sub>16</sub> and 0440<sub>16</sub> to FFFF<sub>16</sub> in microprocessor mode, 0440<sub>16</sub> to YYY<sub>16</sub> in memory expansion mode, and only read and write cycles are extended.

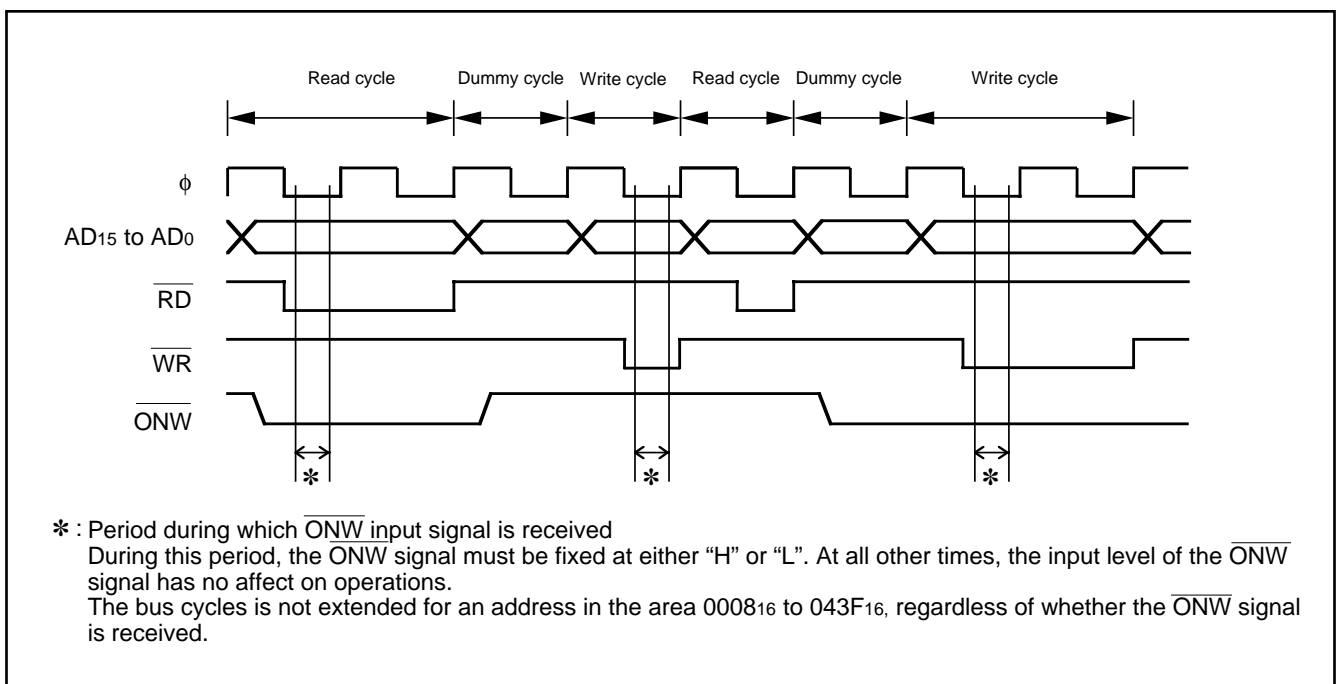


Fig. 34  $\overline{\text{ONW}}$  function timing

## NOTES ON PROGRAMMING

### Processor Status Register

The contents of the processor status register (PS) after a reset are undefined, except for the interrupt disable flag (I) which is "1". After a reset, initialize flags which affect program execution.

In particular, it is essential to initialize the index X mode (T) and the decimal mode (D) flags because of their effect on calculations.

### Interrupts

The contents of the interrupt request bits do not change immediately after they have been written. After writing to an interrupt request register, execute at least one instruction before executing a BBC or BBS instruction.

### Decimal Calculations

To calculate in decimal notation, set the decimal mode flag (D) to "1", then execute an ADC or SBC instruction. Only the ADC and SBC instructions yield proper decimal results. After executing an ADC or SBC instruction, execute at least one instruction before executing a SEC, CLC, or CLD instruction.

In decimal mode, the values of the negative (N), overflow (V), and zero (Z) flags are invalid.

The carry flag can be used to indicate whether a carry or borrow has occurred. Initialize the carry flag before each calculation. Clear the carry flag before an ADC and set the flag before an SBC.

### Timers

If a value  $n$  (between 0 and 255) is written to a timer latch, the frequency division ratio is  $1/(n + 1)$ .

### Multiplication and Division Instructions

The index X mode (T) and the decimal mode (D) flags do not affect the MUL and DIV instruction.

The execution of these instructions does not change the contents of the processor status register.

### Ports

The contents of the port direction registers cannot be read.

The following cannot be used:

- The data transfer instruction (LDA, etc.)
- The operation instruction when the index X mode flag (T) is "1"
- The addressing mode which uses the value of a direction register as an index
- The bit-test instruction (BBC or BBS, etc.) to a direction register
- The read-modify-write instruction (ROR, CLB, or SEB, etc.) to a direction register

Use instructions such as LDM and STA, etc., to set the port direction registers.

### Serial I/O

In clock synchronous serial I/O, if the receive side is using an external clock and it is to output the  $\overline{\text{SRDY}}_1$  signal, set the transmit enable bit, the receive enable bit, and the  $\overline{\text{SRDY}}_1$  output enable bit to "1".

Serial I/O1 continues to output the final bit from the TXD pin after transmission is completed. The SOUT2 pin from serial I/O2 goes to high impedance after transmission is completed.

### A-D Converter

The comparator uses internal capacitors whose charge will be lost if the clock frequency is too low.

Make sure that  $f(\text{XIN})$  is at least 500 kHz during an A-D conversion. (If the  $\overline{\text{ONW}}$  pin has been set to "L", the A-D conversion will take twice as long to match the longer bus cycle, and so  $f(\text{XIN})$  must be at least 1 MHz.)

Do not execute the STP or WIT instruction during an A-D conversion.

### D-A Converter

The accuracy of the D-A converter becomes poor rapidly under the  $V_{CC} = 3.0 \text{ V}$  or less condition.

### Instruction Execution Time

The instruction execution time is obtained by multiplying the frequency of the internal clock  $\phi$  by the number of cycles needed to execute an instruction.

The number of cycles required to execute an instruction is shown in the list of machine instructions.

The frequency of the internal clock  $\phi$  is half of the XIN frequency. When the  $\overline{\text{ONW}}$  function is used in modes other than single-chip mode, the frequency of the internal clock  $\phi$  may be one fourth the XIN frequency.

### Memory Expansion Mode

The memory expansion mode is not available in the following microcomputers.

- M38024M6-XXXSP
- M38024M6-XXXFP

### Memory Expansion Mode and Microprocessor Mode

Execute the LDM or STA instruction for writing to port P3 (address 000616) in memory expansion mode and microprocessor mode.

Set areas which can be read out and write to port P3 (address 000616) in a memory, using the read-modify-write instruction (SEB, CLB).

**DATA REQUIRED FOR MASK ORDERS**

The following are necessary when ordering a mask ROM production:

1. Mask ROM Order Confirmation Form
2. Mask Specification Form
3. Data to be written to ROM, in EPROM form (three identical copies)

**ROM PROGRAMMING METHOD**

The built-in PROM of the blank One Time PROM version and built-in EPROM version can be read or programmed with a general-purpose PROM programmer using a special programming adapter. Set the address of PROM programmer in the user ROM area.

Package	Name of Programming Adapter
64P4B, 64S1B	PCA4738S-64A
64P6N	PCA4738F-64A
64D0	PCA4738L-64A

The PROM of the blank One Time PROM version is not tested or screened in the assembly process and following processes. To ensure proper operation after programming, the procedure shown in Figure 35 is recommended to verify programming.

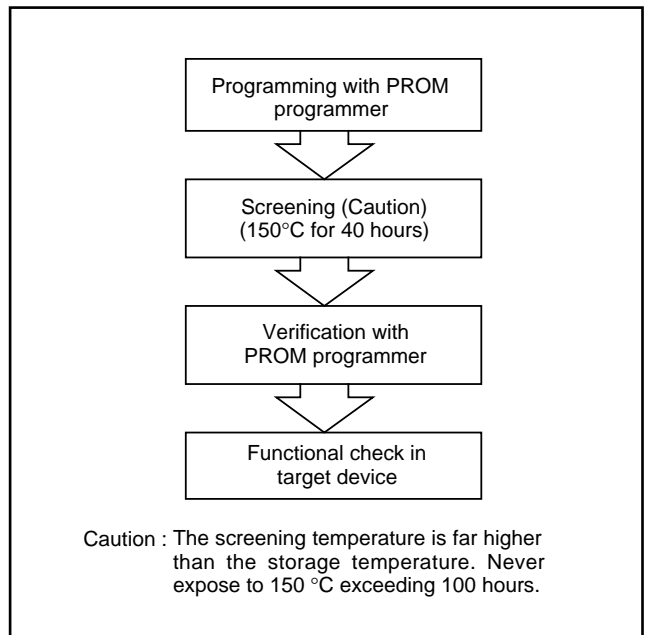


Fig. 35 Programming and testing of One Time PROM version

**ABSOLUTE MAXIMUM RATINGS**

Symbol	Parameter	Conditions	Ratings	Unit
VCC	Power source voltage		-0.3 to 7.0	V
Vi	Input voltage P00-P07, P10-P17, P20-P27, P30-P37, P40-P47, P50-P57, P60-P67, VREF	All voltages are based on Vss. Output transistors are cut off.	-0.3 to Vcc +0.3	V
Vi	Input voltage $\overline{\text{RESET}}$ , XIN		-0.3 to Vcc +0.3	V
Vi	Input voltage CNVss		-0.3 to 13	V
Vo	Output voltage P00-P07, P10-P17, P20-P27, P30-P37, P40-P47, P50-P57, P60-P67, XOUT		-0.3 to Vcc +0.3	V
Pd	Power dissipation	Ta = 25 °C	1000 (Note)	mW
Topr	Operating temperature		-20 to 85	°C
Tstg	Storage temperature		-40 to 125	°C

**Note:** 300 mW in case of the flat package.

**RECOMMENDED OPERATING CONDITIONS** (Vcc = 3.0 to 5.5 V, Ta = -20 to 85°C, unless otherwise noted)

Symbol	Parameter	Limits			Unit
		Min.	Typ.	Max.	
VCC	Power source voltage (f(XIN) < 2 MHz) (Note 1)	3.0	5.0	5.5	V
	Power source voltage (f(XIN) = 8 MHz) (Note 1)	4.0	5.0	5.5	
VSS	Power source voltage		0		V
VREF	Analog reference voltage (when A-D converter is used)	2.0		VCC	V
	Analog reference voltage (when D-A converter is used)	3.0		VCC	
AVSS	Analog power source voltage		0		V
VIA	Analog input voltage AN0-AN7		AVSS	VCC	V
VIH	"H" input voltage P00-P07, P10-P17, P20-P27, P30-P37, P40-P47, P50-P57, P60-P67	0.8 Vcc		Vcc	V
VIH	"H" input voltage $\overline{\text{RESET}}$ , XIN, CNVss	0.8 Vcc		Vcc	V
VIL	"L" input voltage P00-P07, P10-P17, P20-P27, P30-P37, P40-P47, P50-P57, P60-P67	0		0.2 Vcc	V
VIL	"L" input voltage $\overline{\text{RESET}}$ , CNVss	0		0.2 Vcc	V
VIL	"L" input voltage XIN	0		0.16 Vcc	V
$\Sigma\text{IOH(peak)}$	"H" total peak output current P00-P07, P10-P17, P20-P27, P30-P37 (Note 2)			-80	mA
$\Sigma\text{IOH(peak)}$	"H" total peak output current P40-P47, P50-P57, P60-P67 (Note 2)			-80	mA
$\Sigma\text{IOL(peak)}$	"L" total peak output current P00-P07, P10-P17, P20-P27, P30-P37 (Note 2)			80	mA
$\Sigma\text{IOL(peak)}$	"L" total peak output current P40-P47, P50-P57, P60-P67 (Note 2)			80	mA
$\Sigma\text{IOH(avg)}$	"H" total average output current P00-P07, P10-P17, P20-P27, P30-P37 (Note 2)			-40	mA
$\Sigma\text{IOH(avg)}$	"H" total average output current P40-P47, P50-P57, P60-P67 (Note 2)			-40	mA
$\Sigma\text{IOL(avg)}$	"L" total average output current P00-P07, P10-P17, P20-P27, P30-P37 (Note 2)			40	mA
$\Sigma\text{IOL(avg)}$	"L" total average output current P40-P47, P50-P57, P60-P67 (Note 2)			40	mA
IOH(peak)	"H" peak output current P00-P07, P10-P17, P20-P27, P30-P37, P40-P47, P50-P57, P60-P67 (Note 3)			-10	mA
IOL(peak)	"L" peak output current P00-P07, P10-P17, P20-P27, P30-P37, P40-P47, P50-P57, P60-P67 (Note 3)			10	mA
IOH(avg)	"H" average output current P00-P07, P10-P17, P20-P27, P30-P37, P40-P47, P50-P57, P60-P67 (Note 4)			-5	mA
IOL(avg)	"L" average output current P00-P07, P10-P17, P20-P27, P30-P37, P40-P47, P50-P57, P60-P67 (Note 4)			5	mA
f(XIN)	Internal clock oscillation frequency (Vcc = 4.0 to 5.5 V)			8	MHz
	Internal clock oscillation frequency (Vcc = 3.0 to 4.0 V)			6 Vcc-16	

**Note 1:** The minimum power source voltage is  $\frac{X+16}{6}$  [V] (f(XIN) = XMHz) on the condition of 2 MHz < f(XIN) < 8 MHz.

**2:** The total output current is the sum of all the currents flowing through all the applicable ports. The total average current is an average value measured over 100 ms. The total peak current is the peak value of all the currents.

**3:** The peak output current is the peak current flowing in each port.

**4:** The average output current IOL(avg), IOH(avg) in an average value measured over 100 ms.

**ELECTRICAL CHARACTERISTICS** ( $V_{CC} = 3.0$  to  $5.5$  V,  $V_{SS} = 0$  V,  $T_a = -20$  to  $85$  °C, unless otherwise noted)

Symbol	Parameter	Test conditions	Limits			Unit
			Min.	Typ.	Max.	
VOH	“H” output voltage P00–P07, P10–P17, P20–P27, P30–P37, P40–P47, P50–P57, P60–P67 (Note 1)	IOH = –10 mA VCC = 4.0 to 5.5 V	VCC–2.0			V
			IOH = –1.0 mA VCC = 3.0 to 5.5 V	VCC–1.0		
VOL	“L” output voltage P00–P07, P10–P17, P20–P27, P30–P37, P40–P47, P50–P57, P60–P67	IOL = 10 mA VCC = 4.0 to 5.5 V			2.0	V
			IOL = 1.0 mA VCC = 3.0 to 5.5 V			
VT+ – VT–	Hysteresis	CNTR0, CNTR1, INT0–INT4		0.4		V
VT+ – VT–	Hysteresis	RxD, SCLK1, SIN2, SCLK2		0.5		V
VT+ – VT–	Hysteresis	RESET		0.5		V
IiH	“H” input current P00–P07, P10–P17, P20–P27, P30–P37, P40–P47, P50–P57, P60–P67	Vi = VCC			5.0	μA
IiH	“H” input current	RESET, CNVss	Vi = VCC		5.0	μA
IiH	“H” input current	XIN	Vi = VCC	4		μA
IiL	“L” input current P00–P07, P10–P17, P20–P27, P30–P37, P40–P47, P50–P57, P60–P67, RESET, CNVss	Vi = VSS			–5.0	μA
IiL	“L” input current	RESET, CNVss	Vi = VSS		–5.0	μA
IiL	“L” input current	XIN	Vi = VSS	–4		μA
VRAM	RAM hold voltage	When clock stopped	2.0		5.5	V
ICC	Power source current	f(XIN) = 8 MHz, VCC = 5 V		6.4	13	mA
		f(XIN) = 5 MHz, VCC = 5 V		4	8	
		f(XIN) = 2 MHz, VCC = 3 V		0.8	2.0	
		When WIT instruction is executed with f(Xin) = 8MHz, VCC=5V		1.5		
		When WIT instruction is executed with f(Xin) = 5MHz, VCC=5V		1		
		When WIT instruction is executed with f(Xin) = 2MHz, VCC=3V		0.2		
		When STP instruction is executed with clock stopped, output transistors isolated.	Ta = 25 °C (Note 2)		0.1	1
	Ta = 85 °C (Note 2)			10		

**Note 1:** P45 is measured when the P45/TXD P-channel output disable bit of the UART control register (bit 4 of address 001B16) is “0”.

P51 is measured when the P51/SOUT2 P-channel output disable bit of the serial I/O2 control register (bit 7 of address 001D16) is “0”.

**2:** With output transistors isolated and A-D converter having completed conversion, and not including current flowing through VREF pin.

**A–D CONVERTER CHARACTERISTICS**

( $V_{CC} = 3.0$  to  $5.5$  V,  $V_{SS} = AV_{SS} = 0$  V,  $V_{REF} = 2.0$  V to  $V_{CC}$ ,  $T_a = -20$  to  $85$  °C, unless otherwise noted)

Symbol	Parameter	Test conditions	Limits			Unit
			Min.	Typ.	Max.	
—	Resolution				8	Bits
—	Absolute accuracy (excluding quantization error)			±1	±2.5	LSB
tCONV	Conversion time				50	tc(φ)
RLADDER	Ladder resistor			35		kΩ
IvREF	Reference power source input current (Note)	VREF = 5.0 V	50	150	200	μA
Ii(AD)	A-D port input current			0.5	5.0	μA

**Note:** When D-A conversion registers (addresses 003616 and 003716) contain “0016”.

**D-A CONVERTER CHARACTERISTICS**

(VCC = 3.0 to 5.5 V, VSS = AVSS = 0 V, VREF = 3.0 V to VCC, Ta = -20 to 85 °C, unless otherwise noted)

Symbol	Parameter	Test conditions	Limits			Unit
			Min.	Typ.	Max.	
—	Resolution				8	Bits
—	Absolute accuracy	VCC = 4.0 to 5.5 V			1.0	%
		VCC = 3.0 to 4.0 V			2.5	
tsu	Setting time				3	μs
RO	Output resistor		1	2.5	4	kΩ
IVREF	Reference power source input current (Note)				3.2	mA

**Note:** Using one D-A converter, with the value in the D-A conversion register of the other D-A converter being "0016", and excluding currents flowing through the A-D resistance ladder.

**TIMING REQUIREMENTS 1** ( $V_{CC} = 4.0$  to  $5.5$  V,  $V_{SS} = 0$  V,  $T_a = -20$  to  $85$  °C, unless otherwise noted)

Symbol	Parameter	Limits			Unit
		Min.	Typ.	Max.	
$t_{w(\overline{\text{RESET}})}$	Reset input "L" pulse width	2			$\mu\text{s}$
$t_{c(XIN)}$	External clock input cycle time	125			ns
$t_{wH(XIN)}$	External clock input "H" pulse width	50			ns
$t_{wL(XIN)}$	External clock input "L" pulse width	50			ns
$t_{c(CNTR)}$	CNTR <sub>0</sub> , CNTR <sub>1</sub> input cycle time	200			ns
$t_{wH(CNTR)}$	CNTR <sub>0</sub> , CNTR <sub>1</sub> input "H" pulse width	80			ns
$t_{wH(INT)}$	INT <sub>0</sub> to INT <sub>4</sub> input "H" pulse width	80			ns
$t_{wL(CNTR)}$	CNTR <sub>0</sub> , CNTR <sub>1</sub> input "L" pulse width	80			ns
$t_{wL(INT)}$	INT <sub>0</sub> to INT <sub>4</sub> input "L" pulse width	80			ns
$t_{c(SCLK1)}$	Serial I/O1 clock input cycle time (Note)	800			ns
$t_{c(SCLK2)}$	Serial I/O2 clock input cycle time	1000			ns
$t_{wH(SCLK1)}$	Serial I/O1 clock input "H" pulse width (Note)	370			ns
$t_{wH(SCLK2)}$	Serial I/O2 clock input "H" pulse width	400			ns
$t_{wL(SCLK1)}$	Serial I/O1 clock input "L" pulse width (Note)	370			ns
$t_{wL(SCLK2)}$	Serial I/O2 clock input "L" pulse width	400			ns
$t_{su(RxD-SCLK1)}$	Serial I/O1 input set up time	220			ns
$t_{su(SIN2-SCLK2)}$	Serial I/O2 input set up time	200			ns
$t_{h(SCLK1-RxD)}$	Serial I/O1 input hold time	100			ns
$t_{h(SCLK2-SIN2)}$	Serial I/O2 input hold time	200			ns

**Note:** When  $f(XIN) = 8$  MHz and bit 6 of address 001A16 is "1". Divide this value by four when  $f(XIN) = 8$  MHz and bit 6 of address 001A16 is "0".

**TIMING REQUIREMENTS 2** ( $V_{CC} = 3.0$  to  $5.5$  V,  $V_{SS} = 0$  V,  $T_a = -20$  to  $85$  °C, unless otherwise noted)

Symbol	Parameter	Limits			Unit
		Min.	Typ.	Max.	
$t_{w(\overline{\text{RESET}})}$	Reset input "L" pulse width	2			$\mu\text{s}$
$t_{c(XIN)}$	External clock input cycle time	500/ (3 $V_{CC}-8$ )			ns
$t_{wH(XIN)}$	External clock input "H" pulse width	200/ (3 $V_{CC}-8$ )			ns
$t_{wL(XIN)}$	External clock input "L" pulse width	200/ (3 $V_{CC}-8$ )			ns
$t_{c(CNTR)}$	CNTR <sub>0</sub> , CNTR <sub>1</sub> input cycle time	500			ns
$t_{wH(CNTR)}$	CNTR <sub>0</sub> , CNTR <sub>1</sub> input "H" pulse width	230			ns
$t_{wH(INT)}$	INT <sub>0</sub> to INT <sub>4</sub> input "H" pulse width	230			ns
$t_{wL(CNTR)}$	CNTR <sub>0</sub> , CNTR <sub>1</sub> input "L" pulse width	230			ns
$t_{wL(INT)}$	INT <sub>0</sub> to INT <sub>4</sub> input "L" pulse width	230			ns
$t_{c(SCLK1)}$	Serial I/O1 clock input cycle time (Note)	2000			ns
$t_{c(SCLK2)}$	Serial I/O2 clock input cycle time	2000			ns
$t_{wH(SCLK1)}$	Serial I/O1 clock input "H" pulse width (Note)	950			ns
$t_{wH(SCLK2)}$	Serial I/O2 clock input "H" pulse width	950			ns
$t_{wL(SCLK1)}$	Serial I/O1 clock input "L" pulse width (Note)	950			ns
$t_{wL(SCLK2)}$	Serial I/O2 clock input "L" pulse width	950			ns
$t_{su(RxD-SCLK1)}$	Serial I/O1 input set up time	400			ns
$t_{su(SIN2-SCLK2)}$	Serial I/O2 input set up time	400			ns
$t_{h(SCLK1-RxD)}$	Serial I/O1 input hold time	200			ns
$t_{h(SCLK2-SIN2)}$	Serial I/O2 input hold time	300			ns

**Note:** When  $f(XIN) = 2$  MHz and bit 6 of address 001A16 is "1". Divide this value by four when  $f(XIN) = 2$  MHz and bit 6 of address 001A16 is "0".

**SWITCHING CHARACTERISTICS 1** ( $V_{CC} = 4.0$  to  $5.5$  V,  $V_{SS} = 0$  V,  $T_a = -20$  to  $85$  °C, unless otherwise noted)

Symbol	Parameter	Test conditions	Limits			Unit
			Min.	Typ.	Max.	
$t_{wH}(S_{CLK1})$	Serial I/O1 clock output "H" pulse width	Fig. 36	$t_c(S_{CLK1})/2-30$			ns
$t_{wH}(S_{CLK2})$	Serial I/O2 clock output "H" pulse width		$t_c(S_{CLK2})/2-160$			ns
$t_{wL}(S_{CLK1})$	Serial I/O1 clock output "L" pulse width		$t_c(S_{CLK1})/2-30$			ns
$t_{wL}(S_{CLK2})$	Serial I/O2 clock output "L" pulse width		$t_c(S_{CLK2})/2-160$			ns
$t_d(S_{CLK1}-TxD)$	Serial I/O1 output delay time (Note 1)				140	ns
$t_d(S_{CLK2}-S_{OUT2})$	Serial I/O2 output delay time (Note 2)				200	ns
$t_v(S_{CLK1}-TxD)$	Serial I/O1 output valid time (Note 1)			-30		ns
$t_v(S_{CLK2}-S_{OUT2})$	Serial I/O2 output valid time (Note 2)			0		ns
$t_r(S_{CLK1})$	Serial I/O1 clock output rising time				30	ns
$t_f(S_{CLK1})$	Serial I/O1 clock output falling time				30	ns
$t_r(S_{CLK2})$	Serial I/O2 clock output rising time				30	ns
$t_f(S_{CLK2})$	Serial I/O2 clock output falling time				40	ns
$t_r(CMOS)$	CMOS output rising time (Note 3)				10	ns
$t_f(CMOS)$	CMOS output falling time (Note 3)				10	ns

- Note1:** When the P45/TxD P-channel output disable bit of the UART control register (bit 4 of address 001B16) is "0".  
**2:** When the P51/SOUT2 P-channel output disable bit of the serial I/O2 control register (bit 7 of address 001D16) is "0".  
**3:** XOUT pin is excluded.

**SWITCHING CHARACTERISTICS 2** ( $V_{CC} = 3.0$  to  $5.5$  V,  $V_{SS} = 0$  V,  $T_a = -20$  to  $85$  °C, unless otherwise noted)

Symbol	Parameter	Test conditions	Limits			Unit
			Min.	Typ.	Max.	
$t_{wH}(S_{CLK1})$	Serial I/O1 clock output "H" pulse width	Fig. 36	$t_c(S_{CLK1})/2-50$			ns
$t_{wH}(S_{CLK2})$	Serial I/O2 clock output "H" pulse width		$t_c(S_{CLK2})/2-240$			ns
$t_{wL}(S_{CLK1})$	Serial I/O1 clock output "L" pulse width		$t_c(S_{CLK1})/2-50$			ns
$t_{wL}(S_{CLK2})$	Serial I/O2 clock output "L" pulse width		$t_c(S_{CLK2})/2-240$			ns
$t_d(S_{CLK1}-TxD)$	Serial I/O1 output delay time (Note 1)				350	ns
$t_d(S_{CLK2}-S_{OUT2})$	Serial I/O2 output delay time (Note 2)				400	ns
$t_v(S_{CLK1}-TxD)$	Serial I/O1 output valid time (Note 1)			-30		ns
$t_v(S_{CLK2}-S_{OUT2})$	Serial I/O2 output valid time (Note 2)			0		ns
$t_r(S_{CLK1})$	Serial I/O1 clock output rising time				50	ns
$t_f(S_{CLK1})$	Serial I/O1 clock output falling time				50	ns
$t_r(S_{CLK2})$	Serial I/O2 clock output rising time				50	ns
$t_f(S_{CLK2})$	Serial I/O2 clock output falling time				50	ns
$t_r(CMOS)$	CMOS output rising time (Note 3)				20	ns
$t_f(CMOS)$	CMOS output falling time (Note 3)				20	ns

- Note1:** When the P45/TxD P-channel output disable bit of the UART control register (bit 4 of address 001B16) is "0".  
**2:** When the P51/SOUT2 P-channel output disable bit of the serial I/O2 control register (bit 7 of address 001D16) is "0".  
**3:** XOUT pin is excluded.



**TIMING REQUIREMENTS 1 IN MEMORY EXPANSION MODE AND MICROPROCESSOR MODE**

(V<sub>CC</sub> = 4.0 to 5.5 V, V<sub>SS</sub> = 0 V, T<sub>a</sub> = -20 to 85 °C, unless otherwise noted)

Symbol	Parameter	Limits			Unit
		Min.	Typ.	Max.	
tsu( $\overline{\text{ONW}}-\phi$ )	Before $\phi$ $\overline{\text{ONW}}$ input set up time	-20			ns
th( $\phi-\overline{\text{ONW}}$ )	After $\phi$ $\overline{\text{ONW}}$ input hold time	-20			ns
tsu(DB- $\phi$ )	Before $\phi$ data bus set up time	60			ns
th( $\phi$ -DB)	After $\phi$ data bus hold time	0			ns
tsu( $\overline{\text{ONW}}-\overline{\text{RD}}$ ) tsu( $\text{ONW}-\overline{\text{WR}}$ )	Before $\overline{\text{RD}}$ $\overline{\text{ONW}}$ input set up time Before $\overline{\text{WR}}$ $\text{ONW}$ input set up time	-20			ns
th( $\overline{\text{RD}}-\overline{\text{ONW}}$ ) th( $\overline{\text{WR}}-\overline{\text{ONW}}$ )	After $\overline{\text{RD}}$ $\overline{\text{ONW}}$ input hold time After $\overline{\text{WR}}$ $\overline{\text{ONW}}$ input hold time	-20			ns
tsu(DB- $\overline{\text{RD}}$ )	Before $\overline{\text{RD}}$ data bus set up time	65			ns
th( $\overline{\text{RD}}$ -DB)	After $\overline{\text{RD}}$ data bus hold time	0			ns

**SWITCHING CHARACTERISTICS 1 IN MEMORY EXPANSION MODE AND MICROPROCESSOR MODE**

(V<sub>CC</sub> = 4.0 to 5.5 V, V<sub>SS</sub> = 0 V, T<sub>a</sub> = -20 to 85 °C, unless otherwise noted)

Symbol	Parameter	Test conditions	Limits			Unit	
			Min.	Typ.	Max.		
tc( $\phi$ )	$\phi$ clock cycle time	Fig. 36		2tc(X <sub>IN</sub> )		ns	
twH( $\phi$ )	$\phi$ clock "H" pulse width		tc(X <sub>IN</sub> )-10			ns	
twL( $\phi$ )	$\phi$ clock "L" pulse width		tc(X <sub>IN</sub> )-10			ns	
td( $\phi$ -AH)	After $\phi$ AD15-AD8 delay time			20	40	ns	
tv( $\phi$ -AH)	After $\phi$ AD15-AD8 valid time			6	10	ns	
td( $\phi$ -AL)	After $\phi$ AD7-AD0 delay time				25	45	ns
tv( $\phi$ -AL)	After $\phi$ AD7-AD0 valid time			6	10	ns	
td( $\phi$ -SYNC)	SYNC delay time				20	ns	
tv( $\phi$ -SYNC)	SYNC valid time				10	ns	
td( $\phi$ - $\overline{\text{WR}}$ )	$\overline{\text{RD}}$ and $\overline{\text{WR}}$ delay time				10	20	ns
tv( $\phi$ - $\overline{\text{WR}}$ )	$\overline{\text{RD}}$ and $\overline{\text{WR}}$ valid time			3	5	10	ns
td( $\phi$ -DB)	After $\phi$ data bus delay time				20	70	ns
tv( $\phi$ -DB)	After $\phi$ data bus valid time			15			ns
twL( $\overline{\text{RD}}$ ) twL( $\overline{\text{WR}}$ )	$\overline{\text{RD}}$ pulse width, $\overline{\text{WR}}$ pulse width $\overline{\text{RD}}$ pulse width, $\overline{\text{WR}}$ pulse width (When one-wait is valid)			tc(X <sub>IN</sub> )-10			ns
td(AH- $\overline{\text{RD}}$ ) td(AH- $\overline{\text{WR}}$ )	After AD15-AD8 $\overline{\text{RD}}$ delay time After AD15-AD8 $\overline{\text{WR}}$ delay time			tc(X <sub>IN</sub> )-35	tc(X <sub>IN</sub> )-15		ns
td(AL- $\overline{\text{RD}}$ ) td(AL- $\overline{\text{WR}}$ )	After AD7-AD0 $\overline{\text{RD}}$ delay time After AD7-AD0 $\overline{\text{WR}}$ delay time			tc(X <sub>IN</sub> )-40	tc(X <sub>IN</sub> )-20		ns
tv( $\overline{\text{RD}}$ -AH) tv( $\overline{\text{WR}}$ -AH)	After $\overline{\text{RD}}$ AD15-AD8 valid time After $\overline{\text{WR}}$ AD15-AD8 valid time			0	5		ns
tv( $\overline{\text{RD}}$ -AL) tv( $\overline{\text{WR}}$ -AL)	After $\overline{\text{RD}}$ AD7-AD0 valid time After $\overline{\text{WR}}$ AD7-AD0 valid time			0	5		ns
td( $\overline{\text{WR}}$ -DB)	After $\overline{\text{WR}}$ data bus delay time				15	65	ns
tv( $\overline{\text{WR}}$ -DB)	After $\overline{\text{WR}}$ data bus valid time			10			ns
td(RESET-RESETO <sub>UT</sub> )	RESETO <sub>UT</sub> output delay time (Note 1)					200	ns
tv( $\phi$ -RESE <sub>T</sub> )	RESE <sub>T</sub> output valid time (Note 1)			0		200	ns

**Note 1:** The RESETO<sub>UT</sub> output goes "H" in sync with the rise of the  $\phi$  clock that is anywhere between about 8 cycle and 13 cycles after the RESE<sub>T</sub> input goes "H".

**TIMING REQUIREMENTS 2 IN MEMORY EXPANSION MODE AND MICROPROCESSOR MODE**

(V<sub>CC</sub> = 3.0 V, V<sub>SS</sub> = 0 V, T<sub>a</sub> = -20 to 85 °C, unless otherwise noted)

Symbol	Parameter	Limits			Unit
		Min.	Typ.	Max.	
tsu( $\overline{\text{ONW}}-\phi$ )	Before $\phi$ $\overline{\text{ONW}}$ input set up time	-20			ns
th( $\phi-\overline{\text{ONW}}$ )	After $\phi$ $\overline{\text{ONW}}$ input hold time	-20			ns
tsu(DB- $\phi$ )	Before $\phi$ data bus set up time	180			ns
th( $\phi$ -DB)	After $\phi$ data bus hold time	0			ns
tsu( $\overline{\text{ONW}}-\overline{\text{RD}}$ ) tsu( $\overline{\text{ONW}}-\overline{\text{WR}}$ )	Before $\overline{\text{RD}}$ $\overline{\text{ONW}}$ input set up time Before $\overline{\text{WR}}$ $\overline{\text{ONW}}$ input set up time	-20			ns
th( $\overline{\text{RD}}-\overline{\text{ONW}}$ ) th( $\overline{\text{WR}}-\overline{\text{ONW}}$ )	After $\overline{\text{RD}}$ $\overline{\text{ONW}}$ input hold time After $\overline{\text{WR}}$ $\overline{\text{ONW}}$ input hold time	-20			ns
tsu(DB- $\overline{\text{RD}}$ )	Before $\overline{\text{RD}}$ data bus set up time	185			ns
th( $\overline{\text{RD}}$ -DB)	After $\overline{\text{RD}}$ data bus hold time	0			ns

**SWITCHING CHARACTERISTICS 2 IN MEMORY EXPANSION MODE AND MICROPROCESSOR MODE**

(V<sub>CC</sub> = 3.0 V, V<sub>SS</sub> = 0 V, T<sub>a</sub> = -20 to 85 °C, unless otherwise noted)

Symbol	Parameter	Test conditions	Limits			Unit
			Min.	Typ.	Max.	
tc( $\phi$ )	$\phi$ clock cycle time	Fig. 36		2tc(X <sub>IN</sub> )		ns
twH( $\phi$ )	$\phi$ clock "H" pulse width		tc(X <sub>IN</sub> )-20			ns
twL( $\phi$ )	$\phi$ clock "L" pulse width		tc(X <sub>IN</sub> )-20			ns
td( $\phi$ -AH)	After $\phi$ AD <sub>15</sub> -AD <sub>8</sub> delay time				150	ns
tv( $\phi$ -AH)	After $\phi$ AD <sub>15</sub> -AD <sub>8</sub> valid time			10	15	ns
td( $\phi$ -AL)	After $\phi$ AD <sub>7</sub> -AD <sub>0</sub> delay time				150	ns
tv( $\phi$ -AL)	After $\phi$ AD <sub>7</sub> -AD <sub>0</sub> valid time			10	15	ns
td( $\phi$ -SYNC)	SYNC delay time				40	ns
tv( $\phi$ -SYNC)	SYNC valid time				20	ns
td( $\phi$ - $\overline{\text{WR}}$ )	$\overline{\text{RD}}$ and $\overline{\text{WR}}$ delay time				15	ns
tv( $\phi$ - $\overline{\text{WR}}$ )	$\overline{\text{RD}}$ and $\overline{\text{WR}}$ valid time			3	7	ns
td( $\phi$ -DB)	After $\phi$ data bus delay time				200	ns
tv( $\phi$ -DB)	After $\phi$ data bus valid time			15		ns
twL( $\overline{\text{RD}}$ ) twL( $\overline{\text{WR}}$ )	$\overline{\text{RD}}$ pulse width, $\overline{\text{WR}}$ pulse width $\overline{\text{RD}}$ pulse width, $\overline{\text{WR}}$ pulse width (when one-wait is valid)			tc(X <sub>IN</sub> )-20		ns
td(AH- $\overline{\text{RD}}$ ) td(AH- $\overline{\text{WR}}$ )	After AD <sub>15</sub> -AD <sub>8</sub> $\overline{\text{RD}}$ delay time After AD <sub>15</sub> -AD <sub>8</sub> $\overline{\text{WR}}$ delay time			tc(X <sub>IN</sub> )-145		ns
td(AL- $\overline{\text{RD}}$ ) td(AL- $\overline{\text{WR}}$ )	After AD <sub>7</sub> -AD <sub>0</sub> $\overline{\text{RD}}$ delay time After AD <sub>7</sub> -AD <sub>0</sub> $\overline{\text{WR}}$ delay time			tc(X <sub>IN</sub> )-145		ns
tv( $\overline{\text{RD}}$ -AH) tv( $\overline{\text{WR}}$ -AH)	After $\overline{\text{RD}}$ AD <sub>15</sub> -AD <sub>8</sub> valid time After $\overline{\text{WR}}$ AD <sub>15</sub> -AD <sub>8</sub> valid time			5	10	ns
tv( $\overline{\text{RD}}$ -AL) tv( $\overline{\text{WR}}$ -AL)	After $\overline{\text{RD}}$ AD <sub>7</sub> -AD <sub>0</sub> valid time After $\overline{\text{WR}}$ AD <sub>7</sub> -AD <sub>0</sub> valid time			5	10	ns
td( $\overline{\text{WR}}$ -DB)	After $\overline{\text{WR}}$ data bus delay time				195	ns
tv( $\overline{\text{WR}}$ -DB)	After $\overline{\text{WR}}$ data bus valid time			10		ns
td(RESET-RESET <sub>OUT</sub> )	RESET <sub>OUT</sub> output delay time (Note 1)				300	ns
tv( $\phi$ -RESET)	RESET <sub>OUT</sub> output valid time (Note 1)			0	300	ns

**Note1:** The RESET<sub>OUT</sub> output goes "H" in sync with the fall of the  $\phi$  clock that is anywhere between about 8 cycle and 13 cycles after the RESET input goes "H".

**ABSOLUTE MAXIMUM RATINGS (Extended operating temperature version)**

Symbol	Parameter	Conditions	Ratings	Unit
VCC	Power source voltage		-0.3 to 7.0	V
VI	Input voltage P00-P07, P10-P17, P20-P27, P30-P37, P40-P47, P50-P57, P60-P67, VREF	All voltage are based on VSS. Output transistors are cut off.	-0.3 to VCC +0.3	V
VI	Input voltage RESET, XIN		-0.3 to VCC +0.3	V
VI	Input voltage CNVSS		-0.3 to 13	V
VO	Output voltage P00-P07, P10-P17, P20-P27, P30-P37, P40-P47, P50-P57, P60-P67, XOUT		-0.3 to VCC +0.3	V
Pd	Power dissipation	Ta = 25 °C	1000 (Note)	mW
Topr	Operating temperature		-40 to 85	°C
Tstg	Storage temperature		-65 to 150	°C

**RECOMMENDED OPERATING CONDITIONS (Extended operating temperature version)**

(VCC = 4.0 to 5.5 V, Ta = -40 to 85 °C, unless otherwise noted)

Symbol	Parameter	Limits			Unit
		Min.	Typ.	Max.	
VCC	Power source voltage (f(XIN) ≤ 2 MHz)	4.0	5.0	5.5	V
VSS	Power source voltage		0		V
VREF	Analog reference voltage (when A-D converter is used)	2.0		VCC	V
	Analog reference voltage (when D-A converter is used)	4.0		VCC	V
AVSS	Analog power source voltage		0		V
VIA	Analog input voltage AN0-AN7	AVSS		VCC	V
VIH	"H" input voltage P00-P07, P10-P17, P20-P27, P30-P37, P40-P47, P50-P57, P60-P67	0.8 VCC		VCC	V
VIH	"H" input voltage RESET, XIN, CNVSS	0.8 VCC		VCC	V
VIL	"L" input voltage P00-P07, P10-P17, P20-P27, P30-P37, P40-P47, P50-P57, P60-P67	0		0.2 VCC	V
VIL	"L" input voltage RESET, CNVSS	0		0.2 VCC	V
VIL	"L" input voltage XIN	0		0.16 VCC	V
ΣIOH(peak)	"H" total peak output current P00-P07, P10-P17, P20-P27, P30-P37 (Note 1)			-80	mA
ΣIOH(peak)	"H" total peak output current P40-P47, P50-P57, P60-P67 (Note 1)			-80	mA
ΣIOL(peak)	"L" total peak output current P00-P07, P10-P17, P20-P27, P30-P37 (Note 1)			80	mA
ΣIOL(peak)	"L" total peak output current P40-P47, P50-P57, P60-P67 (Note 1)			80	mA
ΣIOH(avg)	"H" total average output current P00-P07, P10-P17, P20-P27, P30-P37 (Note 1)			-40	mA
ΣIOH(avg)	"H" total average output current P40-P47, P50-P57, P60-P67 (Note 1)			-40	mA
ΣIOL(avg)	"L" total average output current P00-P07, P10-P17, P20-P27, P30-P37 (Note 1)			40	mA
ΣIOL(avg)	"L" total average output current P40-P47, P50-P57, P60-P67 (Note 1)			40	mA
IOH(peak)	"H" peak output current P00-P07, P10-P17, P20-P27, P30-P37, P40-P47, P50-P57, P60-P67 (Note 2)			-10	mA
IOL(peak)	"L" peak output current P00-P07, P10-P17, P20-P27, P30-P37, P40-P47, P50-P57, P60-P67 (Note 2)			10	mA
IOH(avg)	"H" average output current P00-P07, P10-P17, P20-P27, P30-P37, P40-P47, P50-P57, P60-P67 (Note 3)			-5	mA
IOL(avg)	"L" average output current P00-P07, P10-P17, P20-P27, P30-P37, P40-P47, P50-P57, P60-P67 (Note 3)			5	mA
f(XIN)	Internal clock oscillation frequency (VCC = 4.0 to 5.5 V)			8	MHz

**Note 1:** The total output current is the sum of all the currents flowing through all the applicable ports. The total average current is an average value measured over 100 ms. The total peak current is the peak value of all the currents.

**2:** The peak output current is the peak current flowing in each port.

**3:** The average output current IOL(avg), IOH(avg) in an average value measured over 100 ms.

**ELECTRICAL CHARACTERISTICS (Extended operating temperature version)**

(V<sub>CC</sub> = 4.0 to 5.5 V, V<sub>SS</sub> = 0 V, T<sub>a</sub> = -40 to 85 °C, unless otherwise noted)

Symbol	Parameter	Test conditions	Limits			Unit
			Min.	Typ.	Max.	
V <sub>OH</sub>	"H" output voltage P00-P07, P10-P17, P20-P27, P30-P37, P40-P47, P50-P57, P60-P67 (Note 1)	I <sub>OH</sub> = -10 mA	V <sub>CC</sub> -2.0			V
V <sub>OL</sub>	"L" output voltage P00-P07, P10-P17, P20-P27, P30-P37, P40-P47, P50-P57, P60-P67	I <sub>OL</sub> = 10 mA			2.0	V
V <sub>T+</sub> - V <sub>T-</sub>	Hysteresis CNTR0, CNTR1, INT0-INT4			0.4		V
V <sub>T+</sub> - V <sub>T-</sub>	Hysteresis RXD, SCLK1, SIN2, SCLK2			0.5		V
V <sub>T+</sub> - V <sub>T-</sub>	Hysteresis RESET			0.5		V
I <sub>IH</sub>	"H" input current P00-P07, P10-P17, P20-P27, P30-P37, P40-P47, P50-P57, P60-P67	V <sub>I</sub> = V <sub>CC</sub>			5.0	μA
I <sub>IH</sub>	"H" input current RESET, CNV <sub>SS</sub>	V <sub>I</sub> = V <sub>CC</sub>			5.0	μA
I <sub>IH</sub>	"H" input current X <sub>IN</sub>	V <sub>I</sub> = V <sub>CC</sub>		4		μA
I <sub>IL</sub>	"L" input current P00-P07, P10-P17, P20-P27, P30-P37, P40-P47, P50-P57, P60-P67, RESET, CNV <sub>SS</sub>	V <sub>I</sub> = V <sub>SS</sub>			-5.0	μA
I <sub>IL</sub>	"L" input current X <sub>IN</sub>	V <sub>I</sub> = V <sub>SS</sub>		-4		μA
V <sub>RAM</sub>	RAM hold voltage	When clock stopped	2.0		5.5	V
I <sub>CC</sub>	Power source current	f(X <sub>IN</sub> ) = 8 MHz		6.4	13	mA
		f(X <sub>IN</sub> ) = 5 MHz		4	8	
		When WIT instruction is executed with f(X <sub>IN</sub> ) = 8 MHz		1.5		
		When WIT instruction is executed with f(X <sub>IN</sub> ) = 5 MHz		1		
		When STP instruction is executed with clock stopped, output transistors isolated.	T <sub>a</sub> = 25 °C (Note 2) T <sub>a</sub> = 85 °C (Note 2)		0.1	1

**Note 1:** P45 is measured when the P45/TxD P-channel output disable bit of the UART control register (bit 4 of address 001B16) is "0".

P51 is measured when the P51/SOUT2 P-channel output disable bit of the serial I/O2 control register (bit 7 of address 001D16) is "0".

**2:** With output transistors isolated and A-D converter having completed conversion, and not including current flowing through V<sub>REF</sub> pin.

**A-D CONVERTER CHARACTERISTICS (Extended operating temperature version)**

(V<sub>CC</sub> = 4.0 to 5.5 V, V<sub>SS</sub> = AV<sub>SS</sub> = 0 V, V<sub>REF</sub> = 2.0 V to V<sub>CC</sub>, T<sub>a</sub> = -40 to 85 °C, unless otherwise noted)

Symbol	Parameter	Test conditions	Limits			Unit
			Min.	Typ.	Max.	
—	Resolution				8	Bits
—	Absolute accuracy (excluding quantization error)			±1	±2.5	LSB
t <sub>CONV</sub>	Conversion time				50	t <sub>C</sub> (φ)
RLADDER	Ladder resistor			35		kΩ
I <sub>VREF</sub>	Reference power source input current (Note)	V <sub>REF</sub> = 5.0 V	50	150	200	μA
I <sub>I(AD)</sub>	A-D port input current			0.5	5.0	μA

**Note:** When D-A conversion registers (addresses 003616 and 003716) contain "0016".

**D-A CONVERTER CHARACTERISTICS (Extended operating temperature version)**

(VCC = 4.0 to 5.5 V, VSS = AVSS = 0 V, VREF = 4.0 V to VCC, Ta = -40 to 85 °C, unless otherwise noted)

Symbol	Parameter	Test conditions	Limits			Unit
			Min.	Typ.	Max.	
—	Resolution				8	Bits
—	Absolute accuracy				1.0	%
tsu	Setting time				3	μs
RO	Output resistor		1	2.5	4	kΩ
IVREF	Reference power source input current (Note)				3.2	mA

**Note:** Using one D-A converter, with the value in the D-A conversion register of the other D-A converter being "0016", and excluding currents flowing through the A-D resistance ladder.

**TIMING REQUIREMENTS 1 (Extended operating temperature version)**

(VCC = 4.0 to 5.5 V, VSS = 0 V, Ta = -40 to 85 °C, unless otherwise noted)

Symbol	Parameter	Limits			Unit
		Min.	Typ.	Max.	
t <sub>w</sub> ( $\overline{\text{RESET}}$ )	Reset input "L" pulse width	2			μs
t <sub>c</sub> (X <sub>IN</sub> )	External clock input cycle time	125			ns
t <sub>wH</sub> (X <sub>IN</sub> )	External clock input "H" pulse width	50			ns
t <sub>wL</sub> (X <sub>IN</sub> )	External clock input "L" pulse width	50			ns
t <sub>c</sub> (CNTR)	CNTR0, CNTR1 input cycle time	200			ns
t <sub>wH</sub> (CNTR)	CNTR0, CNTR1 input "H" pulse width	80			ns
t <sub>wH</sub> (INT)	INT0 to INT4 input "H" pulse width	80			ns
t <sub>wL</sub> (CNTR)	CNTR0, CNTR1 input "L" pulse width	80			ns
t <sub>wL</sub> (INT)	INT0 to INT4 input "L" pulse width	80			ns
t <sub>c</sub> (SCLK1)	Serial I/O1 clock input cycle time (Note)	800			ns
t <sub>c</sub> (SCLK2)	Serial I/O2 clock input cycle time	1000			ns
t <sub>wH</sub> (SCLK1)	Serial I/O1 clock input "H" pulse width (Note)	370			ns
t <sub>wH</sub> (SCLK2)	Serial I/O2 clock input "H" pulse width	400			ns
t <sub>wL</sub> (SCLK1)	Serial I/O1 clock input "L" pulse width (Note)	370			ns
t <sub>wL</sub> (SCLK2)	Serial I/O2 clock input "L" pulse width	400			ns
t <sub>su</sub> (RxD-SCLK1)	Serial I/O1 input set up time	220			ns
t <sub>su</sub> (SIN2-SCLK2)	Serial I/O2 input set up time	200			ns
t <sub>h</sub> (SCLK1-RxD)	Serial I/O1 input hold time	100			ns
t <sub>h</sub> (SCLK2-SIN2)	Serial I/O2 input hold time	200			ns

**Note:** When f(X<sub>IN</sub>) = 8 MHz and bit 6 of address 001A16 is "1". Divide this value by four when f(X<sub>IN</sub>) = 8 MHz and bit 6 of address 001A16 is "0".

**SWITCHING CHARACTERISTICS 1 (Extended operating temperature version)**

(VCC = 4.0 to 5.5 V, VSS = 0 V, Ta = -40 to 85 °C, unless otherwise noted)

Symbol	Parameter	Test conditions	Limits			Unit	
			Min.	Typ.	Max.		
t <sub>wH</sub> (SCLK1)	Serial I/O1 clock output "H" pulse width	Fig. 36	t <sub>c</sub> (SCLK1)/2-30			ns	
t <sub>wH</sub> (SCLK2)	Serial I/O2 clock output "H" pulse width		t <sub>c</sub> (SCLK2)/2-160			ns	
t <sub>wL</sub> (SCLK1)	Serial I/O1 clock output "L" pulse width		t <sub>c</sub> (SCLK1)/2-30			ns	
t <sub>wL</sub> (SCLK2)	Serial I/O2 clock output "L" pulse width		t <sub>c</sub> (SCLK2)/2-160			ns	
t <sub>d</sub> (SCLK1-TxD)	Serial I/O1 output delay time (Note 1)				140	ns	
t <sub>d</sub> (SCLK2-SOUT2)	Serial I/O2 output delay time (Note 2)				200	ns	
t <sub>v</sub> (SCLK1-TxD)	Serial I/O1 output valid time (Note 1)			-30		ns	
t <sub>v</sub> (SCLK2-SOUT2)	Serial I/O2 output valid time (Note 2)			0		ns	
t <sub>r</sub> (SCLK1)	Serial I/O1 clock output rising time				30	ns	
t <sub>f</sub> (SCLK1)	Serial I/O1 clock output falling time				30	ns	
t <sub>r</sub> (SCLK2)	Serial I/O2 clock output rising time				30	ns	
t <sub>f</sub> (SCLK2)	Serial I/O2 clock output falling time				40	ns	
t <sub>r</sub> (CMOS)	CMOS output rising time (Note 3)				10	30	ns
t <sub>f</sub> (CMOS)	CMOS output falling time (Note 3)				10	30	ns

**Note1:** When the P45/TxD P-channel output disable bit of the UART control register (bit 4 of address 001B16) is "0".

**2:** When the P51/SOUT2 P-channel output disable bit of the serial I/O2 control register (bit 7 of address 001D16) is "0".

**3:** XOUT pin excluded.

**TIMING REQUIREMENTS IN MEMORY EXPANSION MODE AND MICROPROCESSOR MODE**

**(Extended operating temperature version)**

(VCC = 4.0 to 5.5 V, VSS = 0 V, Ta = -40 to 85 °C, unless otherwise noted)

Symbol	Parameter	Limits			Unit
		Min.	Typ.	Max.	
t <sub>su</sub> ( $\overline{\text{ONW}}-\phi$ )	Before $\phi$ $\overline{\text{ONW}}$ input set up time	-20			ns
t <sub>h</sub> ( $\phi-\overline{\text{ONW}}$ )	After $\phi$ $\overline{\text{ONW}}$ input hold time	-20			ns
t <sub>su</sub> (DB- $\phi$ )	Before $\phi$ data bus set up time	60			ns
t <sub>h</sub> ( $\phi$ -DB)	After $\phi$ data bus hold time	0			ns
t <sub>su</sub> ( $\overline{\text{ONW}}-\overline{\text{RD}}$ )	Before $\overline{\text{RD}}$ $\overline{\text{ONW}}$ input set up time	-20			ns
t <sub>su</sub> ( $\overline{\text{ONW}}-\overline{\text{WR}}$ )	Before $\overline{\text{WR}}$ $\overline{\text{ONW}}$ input set up time				
t <sub>h</sub> ( $\overline{\text{RD}}-\overline{\text{ONW}}$ )	After $\overline{\text{RD}}$ $\overline{\text{ONW}}$ input hold time	-20			ns
t <sub>h</sub> ( $\overline{\text{WR}}-\overline{\text{ONW}}$ )	After $\overline{\text{WR}}$ $\overline{\text{ONW}}$ input hold time				
t <sub>su</sub> (DB- $\overline{\text{RD}}$ )	Before $\overline{\text{RD}}$ data bus set up time	65			ns
t <sub>h</sub> ( $\overline{\text{RD}}$ -DB)	After $\overline{\text{RD}}$ data bus hold time	0			ns

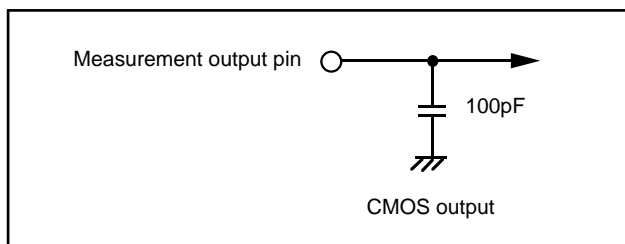
**SWITCHING CHARACTERISTICS IN MEMORY EXPANSION MODE AND MICROPROCESSOR MODE**

**(Extended operating temperature version)**

(VCC = 4.0 to 5.5 V, VSS = 0 V, Ta = -40 to 85 °C, unless otherwise noted)

Symbol	Parameter	Test conditions	Limits			Unit	
			Min.	Typ.	Max.		
t <sub>c</sub> ( $\phi$ )	$\phi$ clock cycle time	Fig. 36		2Xt <sub>c</sub> (X <sub>IN</sub> )		ns	
t <sub>wH</sub> ( $\phi$ )	$\phi$ clock "H" pulse width		t <sub>c</sub> (X <sub>IN</sub> )-10			ns	
t <sub>wL</sub> ( $\phi$ )	$\phi$ clock "L" pulse width		t <sub>c</sub> (X <sub>IN</sub> )-10			ns	
t <sub>d</sub> ( $\phi$ -AH)	After $\phi$ AD15-AD8 delay time			20	40	ns	
t <sub>v</sub> ( $\phi$ -AH)	After $\phi$ AD15-AD8 valid time			6	10	ns	
t <sub>d</sub> ( $\phi$ -AL)	After $\phi$ AD7-AD0 delay time			25	45	ns	
t <sub>v</sub> ( $\phi$ -AL)	After $\phi$ AD7-AD0 valid time			6	10	ns	
t <sub>d</sub> ( $\phi$ -SYNC)	SYNC delay time			20		ns	
t <sub>v</sub> ( $\phi$ -SYNC)	SYNC valid time			10		ns	
t <sub>d</sub> ( $\phi$ - $\overline{\text{WR}}$ )	$\overline{\text{RD}}$ and $\overline{\text{WR}}$ delay time			10	20	ns	
t <sub>v</sub> ( $\phi$ - $\overline{\text{WR}}$ )	$\overline{\text{RD}}$ and $\overline{\text{WR}}$ valid time			3	5	ns	
t <sub>d</sub> ( $\phi$ -DB)	After $\phi$ data bus delay time			20	70	ns	
t <sub>v</sub> ( $\phi$ -DB)	After $\phi$ data bus valid time			15		ns	
t <sub>wL</sub> ( $\overline{\text{RD}}$ )	$\overline{\text{RD}}$ pulse width, $\overline{\text{WR}}$ pulse width			t <sub>c</sub> (X <sub>IN</sub> )-10		ns	
t <sub>wL</sub> ( $\overline{\text{WR}}$ )	$\overline{\text{RD}}$ pulse width, $\overline{\text{WR}}$ pulse width (when one wait is valid)			3t <sub>c</sub> (X <sub>IN</sub> )-10		ns	
t <sub>d</sub> (AH- $\overline{\text{RD}}$ )	After AD15-AD8 $\overline{\text{RD}}$ delay time			t <sub>c</sub> (X <sub>IN</sub> )-35	t <sub>c</sub> (X <sub>IN</sub> )-15	ns	
t <sub>d</sub> (AH- $\overline{\text{WR}}$ )	After AD15-AD8 $\overline{\text{WR}}$ delay time						
t <sub>d</sub> (AL- $\overline{\text{RD}}$ )	After AD7-AD0 $\overline{\text{RD}}$ delay time			t <sub>c</sub> (X <sub>IN</sub> )-40	t <sub>c</sub> (X <sub>IN</sub> )-20	ns	
t <sub>d</sub> (AL- $\overline{\text{WR}}$ )	After AD7-AD0 $\overline{\text{WR}}$ delay time						
t <sub>v</sub> ( $\overline{\text{RD}}$ -AH)	After $\overline{\text{RD}}$ AD15-AD8 valid time			0	5	ns	
t <sub>v</sub> ( $\overline{\text{WR}}$ -AH)	After $\overline{\text{WR}}$ AD15-AD8 valid time						
t <sub>v</sub> ( $\overline{\text{RD}}$ -AL)	After $\overline{\text{RD}}$ AD7-AD0 valid time			0	5	ns	
t <sub>v</sub> ( $\overline{\text{WR}}$ -AL)	After $\overline{\text{WR}}$ AD7-AD0 valid time						
t <sub>d</sub> ( $\overline{\text{WR}}$ -DB)	After $\overline{\text{WR}}$ data bus delay time				15	65	ns
t <sub>v</sub> ( $\overline{\text{WR}}$ -DB)	After $\overline{\text{WR}}$ data bus valid time			10		ns	
t <sub>d</sub> (RESET-RESET <sub>OUT</sub> )	RESET <sub>OUT</sub> output delay time					200	ns
t <sub>v</sub> ( $\phi$ -RESET)	RESET <sub>OUT</sub> output valid time (Note 1)		0		200	ns	

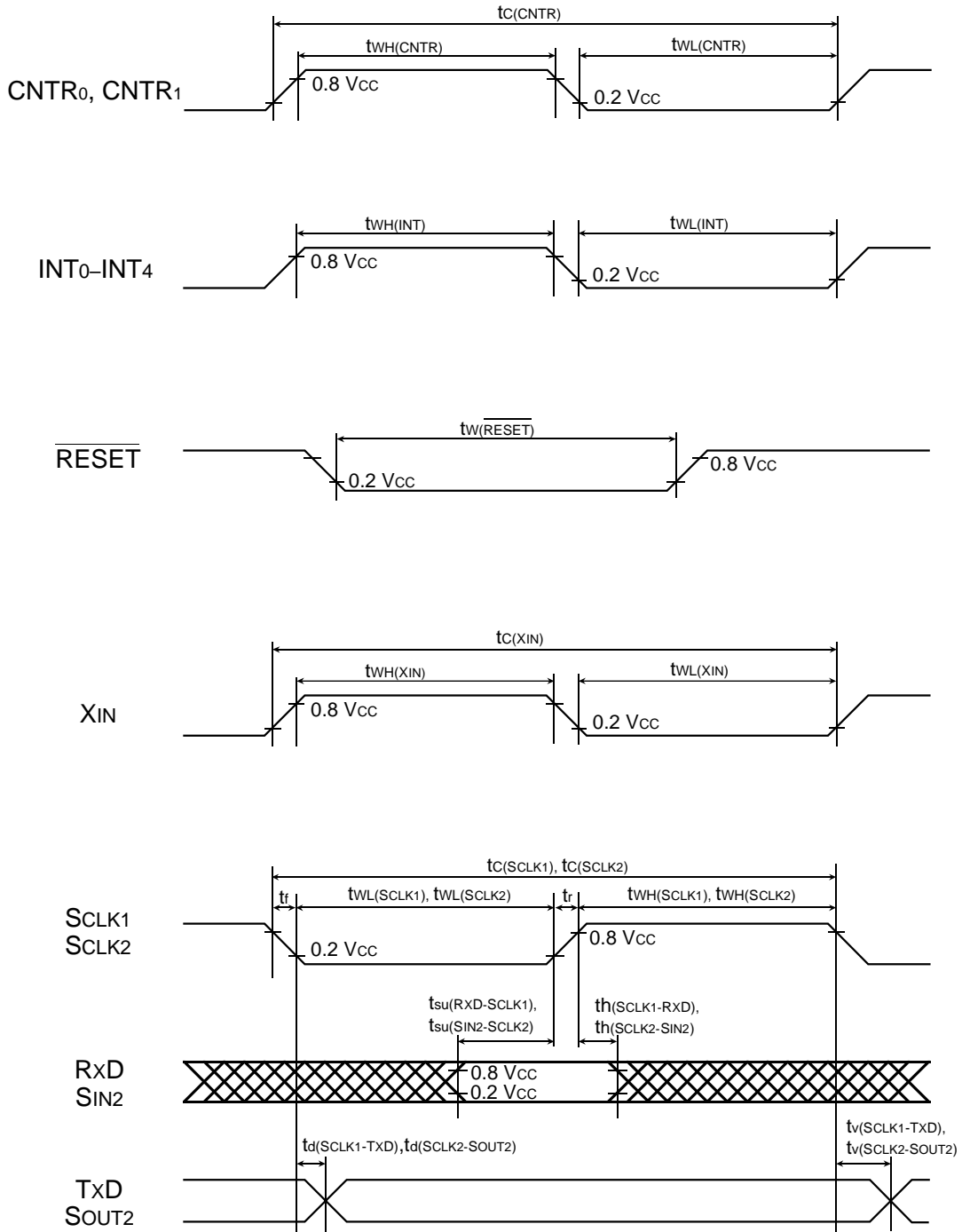
**Note 1:** The RESET<sub>OUT</sub> output goes "H" in sync with the rise of the  $\phi$  clock that is anywhere between about 8 cycle and 13 cycles after the RESET input goes "H".



**Fig. 36** Circuit for measuring output switching characteristics

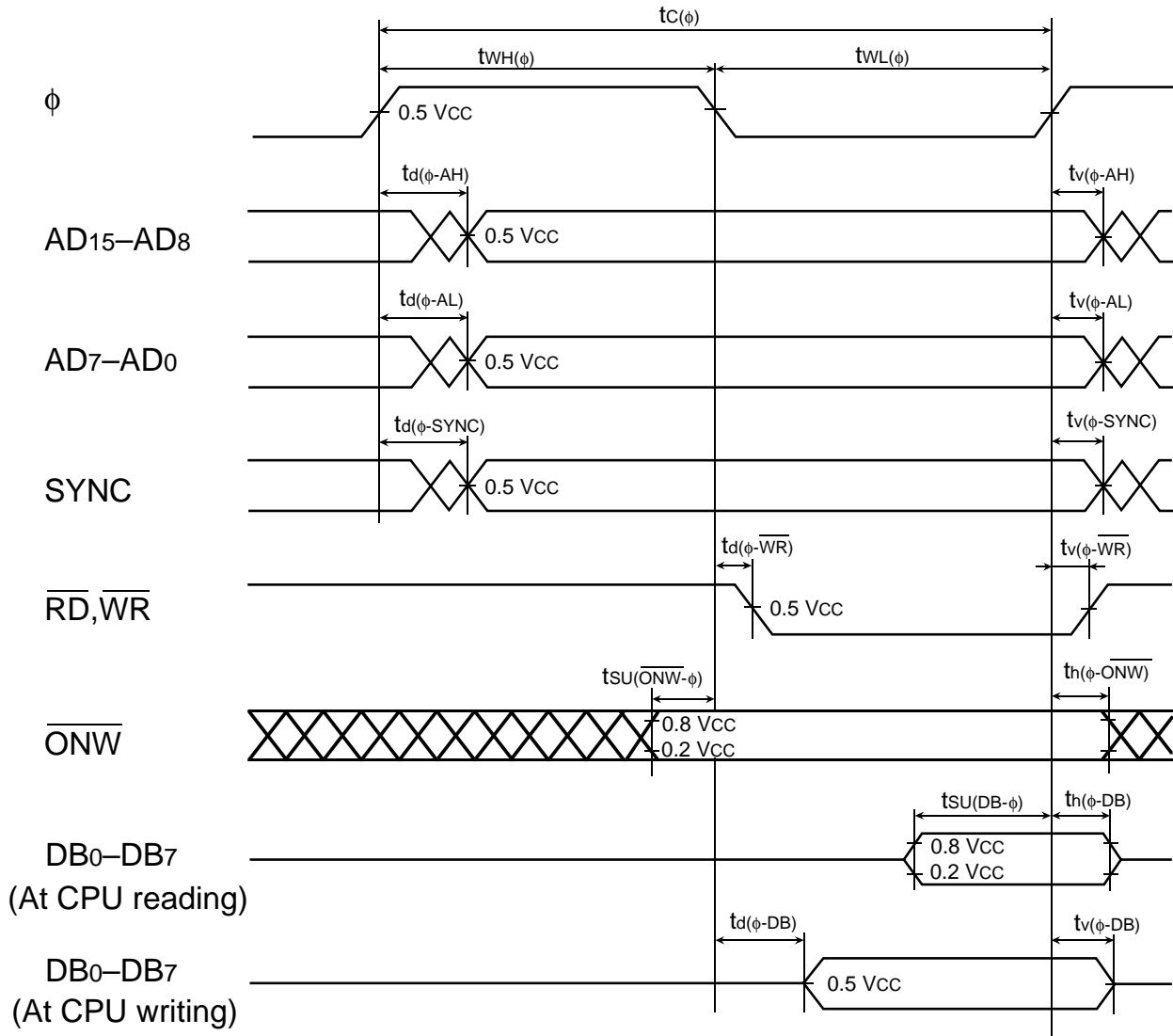
TIMING DIAGRAM

(1) Timing Diagram

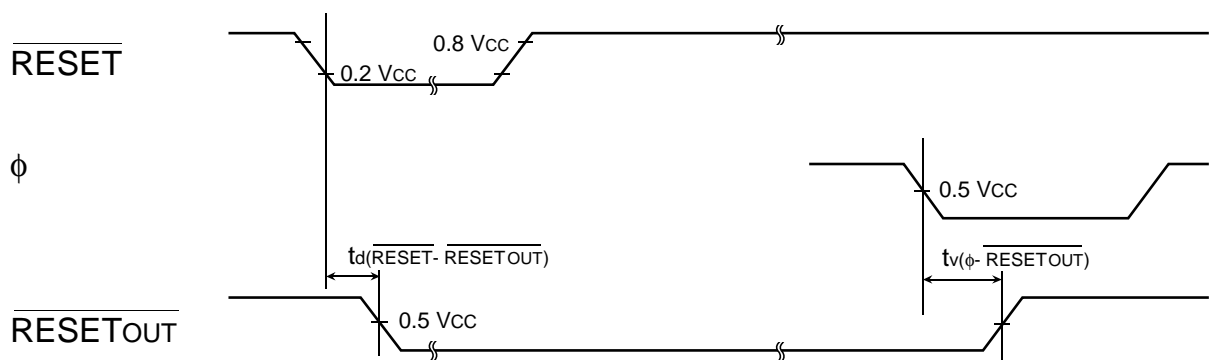




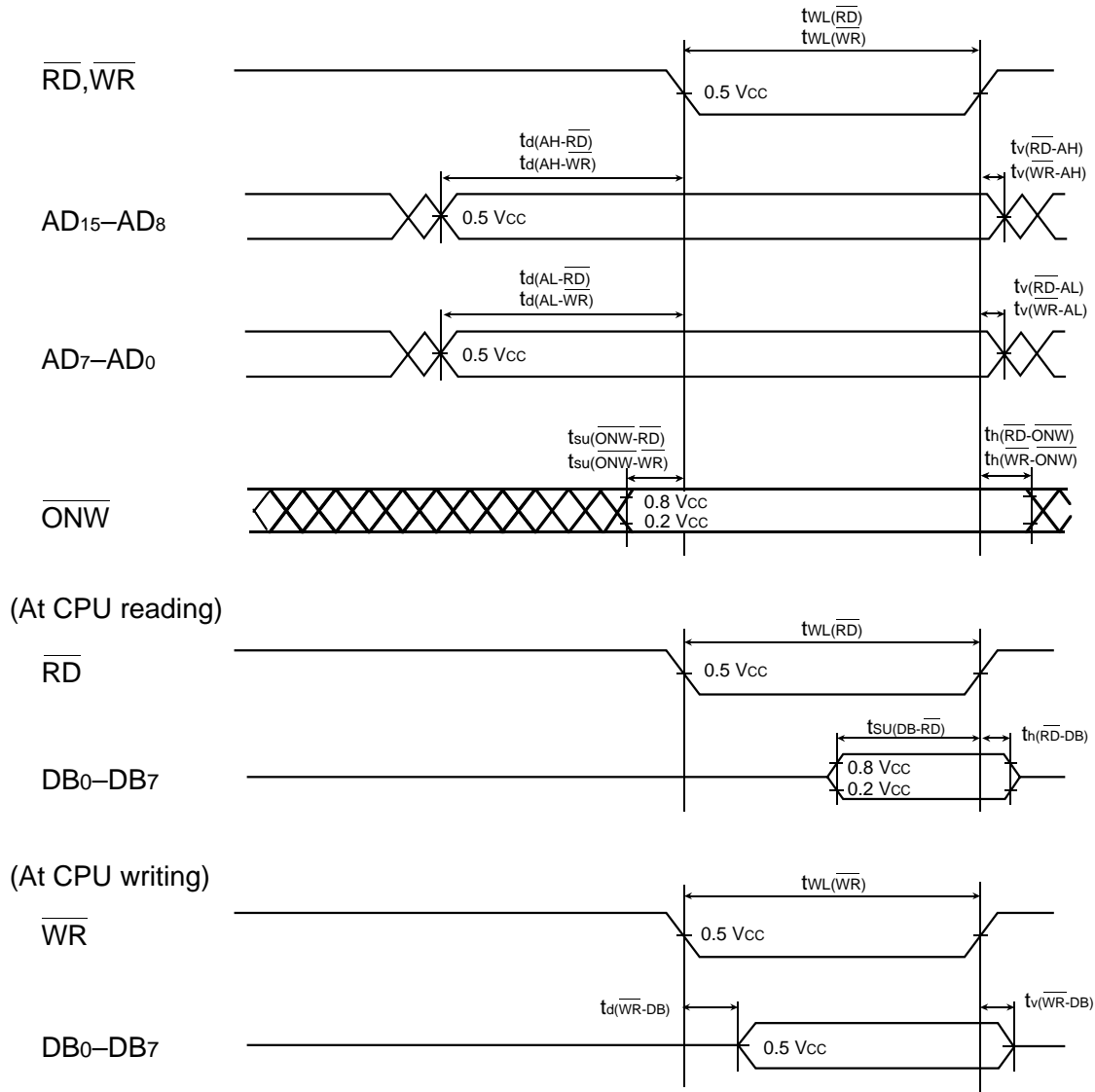
(2) Timing Diagram in Memory Expansion Mode and Microprocessor Mode (a)



(3) Timing Diagram in Microprocessor Mode



(4) Timing Diagram in Memory Expansion Mode and Microprocessor Mode (b)



# Renesas Technology Corp.

Nippon Bldg.,6-2,Otemachi 2-chome,Chiyoda-ku,Tokyo,100-0004 Japan

## Keep safety first in your circuit designs!

- Mitsubishi Electric Corporation puts the maximum effort into making semiconductor products better and more reliable, but there is always the possibility that trouble may occur with them. Trouble with semiconductors may lead to personal injury, fire or property damage. Remember to give due consideration to safety when making your circuit designs, with appropriate measures such as (i) placement of substitutive, auxiliary circuits, (ii) use of non-flammable material or (iii) prevention against any malfunction or mishap.

## Notes regarding these materials

- These materials are intended as a reference to assist our customers in the selection of the Mitsubishi semiconductor product best suited to the customer's application; they do not convey any license under any intellectual property rights, or any other rights, belonging to Mitsubishi Electric Corporation or a third party.
- Mitsubishi Electric Corporation assumes no responsibility for any damage, or infringement of any third-party's rights, originating in the use of any product data, diagrams, charts or circuit application examples contained in these materials.
- All information contained in these materials, including product data, diagrams and charts, represent information on products at the time of publication of these materials, and are subject to change by Mitsubishi Electric Corporation without notice due to product improvements or other reasons. It is therefore recommended that customers contact Mitsubishi Electric Corporation or an authorized Mitsubishi Semiconductor product distributor for the latest product information before purchasing a product listed herein.
- Mitsubishi Electric Corporation semiconductors are not designed or manufactured for use in a device or system that is used under circumstances in which human life is potentially at stake. Please contact Mitsubishi Electric Corporation or an authorized Mitsubishi Semiconductor product distributor when considering the use of a product contained herein for any specific purposes, such as apparatus or systems for transportation, vehicular, medical, aerospace, nuclear, or undersea repeater use.
- The prior written approval of Mitsubishi Electric Corporation is necessary to reprint or reproduce in whole or in part these materials.
- If these products or technologies are subject to the Japanese export control restrictions, they must be exported under a license from the Japanese government and cannot be imported into a country other than the approved destination.  
Any diversion or reexport contrary to the export control laws and regulations of Japan and/or the country of destination is prohibited.
- Please contact Mitsubishi Electric Corporation or an authorized Mitsubishi Semiconductor product distributor for further details on these materials or the products contained therein.

REVISION DESCRIPTION LIST

3802 GROUP DATA SHEET

Rev. No.	Revision Description	Rev. date
1.0	First Edition	971226