



## THT ZTA SERIES CERAMIC RESONATORS

### FEATURES

RoHS-2 2011/65/EU  
compliant

- High reliability for low cost
- Small dimensions and low profile
- Wide frequency range
- Excellent clock signal generator
- Tape & Reel delivery form possible

### GENERAL DATA

Part Number	Frequency Range	Frequency Accuracy	Stability over Temperature	Operating Temperature	Aging For 10 Years
ZTAWs-MG	1.79 ~ 6.00 MHz	±0.5% at 25°C	±0.3% over -25/+85°C	-25/+85°C	±0.3%
ZTARS-MG	6.01 ~ 12.50 MHz	±0.5% at 25°C	±0.3% over -25/+85°C	-25/+85°C	±0.3%
ZTA-MT	6.00 ~ 13.00 MHz	±0.5% at 25°C	±0.3% over -25/+85°C	-25/+85°C	±0.3%
ZTA-MX	12.00 ~ 60.0 MHz	±0.5% at 25°C	±0.3% over -25/+85°C	-25/+85°C	±0.3%
ZTARS-MX	16.00 ~ 60.0 MHz	±0.5% at 25°C	±0.3% over -25/+85°C	-25/+85°C	±0.3%

**OTHER PARAMETERS ARE AVAILABLE ON REQUEST / CREATE HERE YOUR SPECIFICATION**

### DIMENSIONS

**ZTA-MT/MX**

\*MT: 10.0 max;  
 \*MX: 12.00~23.99MHz, 10.0 max  
 24.00~31.99MHz, 7.5 max  
 32.00~60.00MHz, 6.5 max

**ZTAWs-MG**

\*1 WS: 5.5 max;  
 \*2 WS: 4.0 max;

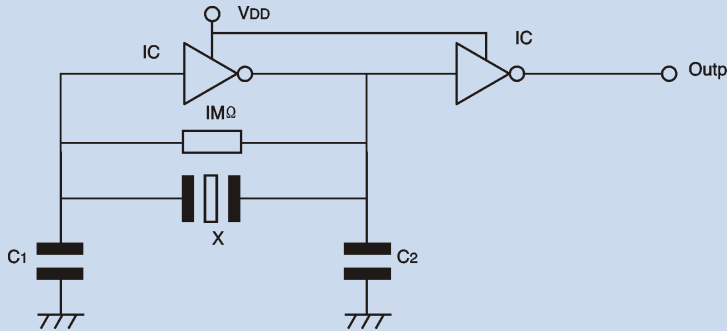
**ZTARS-MG/MX**

**CRYSTALS**  
**OSCILLATORS**  
**CERAMIC RESONATORS**



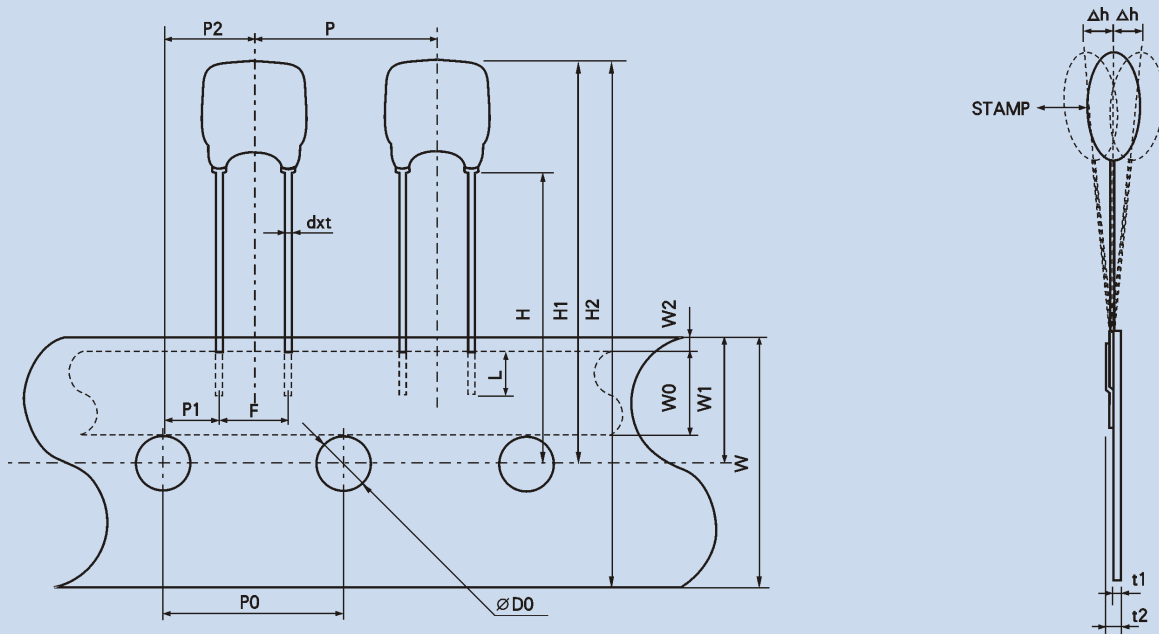
**CERAMIC FILTERS**  
**SAW COMPONENTS**  
 Spec.01 • REV.00 • August 2013

## TEST CIRCUIT FOR MOS IC



IC(MG,MT): 1/6TC4069UBP × 2  
 ( MX ): 1/6TC74HCU04 × 2  
 C<sub>1</sub>C<sub>2</sub>(MG,MT): 30pF  
 ( MX ): 30pF(12.00 ~ 20.00MHz)  
 15pF(20.01 ~ 25.99MHz)  
 5pF(26.00 ~ 60.00MHz)  
 X: Ceramic Resonator  
 V<sub>DD</sub>: +5V

## AMMO PACK TAPING DIMENSIONS (OPTION)



Code	P	P0	P1	P2	F	dxt	W	W0	W1	W2	H	H1	H2	L	ØD0	T1	T2	Δh
Size	12.7±0.5	12.7±0.2	3.85±0.5	6.35±1.3	5.0 <sup>+</sup> <sub>-0.3</sub>	0.5X0.25(±0.1) (Φ0.48±0.05)	18.0±0.5	5.5±0.5	9.0±0.5	1.0max	18.0 <sup>+</sup> <sub>-1.0</sub>	27.0max	36.0max	3.0min	4.0±0.2	0.6±0.2	1.5max	1.0max

2000pcs per box

\*Include the slant of products

**CRYSTALS**  
**OSCILLATORS**  
**CERAMIC RESONATORS**



Premium Quality by  
**PETERMANN-TECHNIK**

**CERAMIC FILTERS**  
**SAW COMPONENTS**

Spec.01 • REV.00 • August 2013

## ORDERING INFORMATION

Series

ZTAWS

Frequency

6.000

Model Code

MG

Delivery  
Form

B0

Example: ZTAWS-6.000MG-B0  
PLEASE INDICATE YOUR REQUIRED SERIES

## DELIVERY FORM

### OPTIONS:

B0	= Bulks (standard)
A0	= AMMO PACKING (2.000 pcs per ammo pack)

**CRYSTALS**  
**OSCILLATORS**  
**CERAMIC RESONATORS**



Premium Quality by  
**PETERMANN-TECHNIK**

**CERAMIC FILTERS**  
**SAW COMPONENTS**

Spec.01 • REV.00 • August 2013