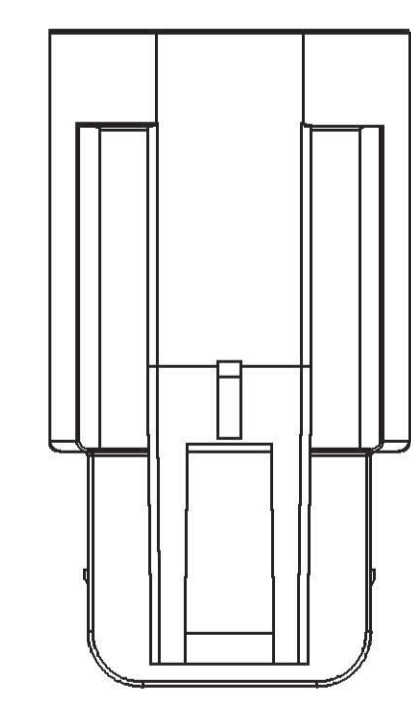
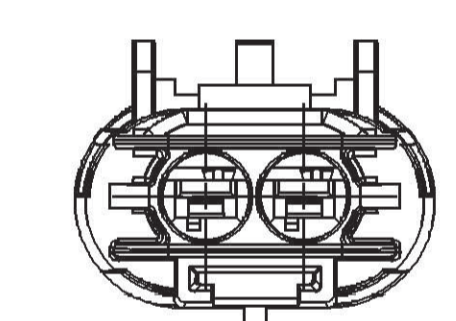
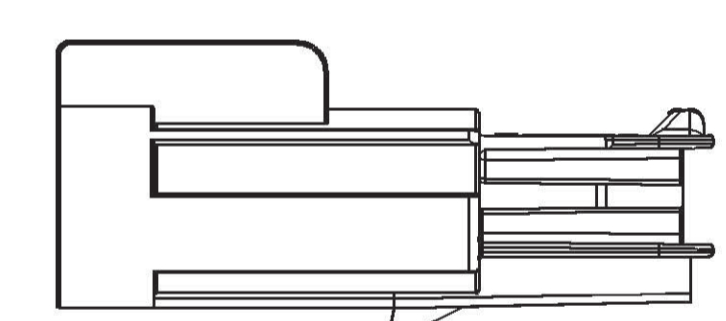
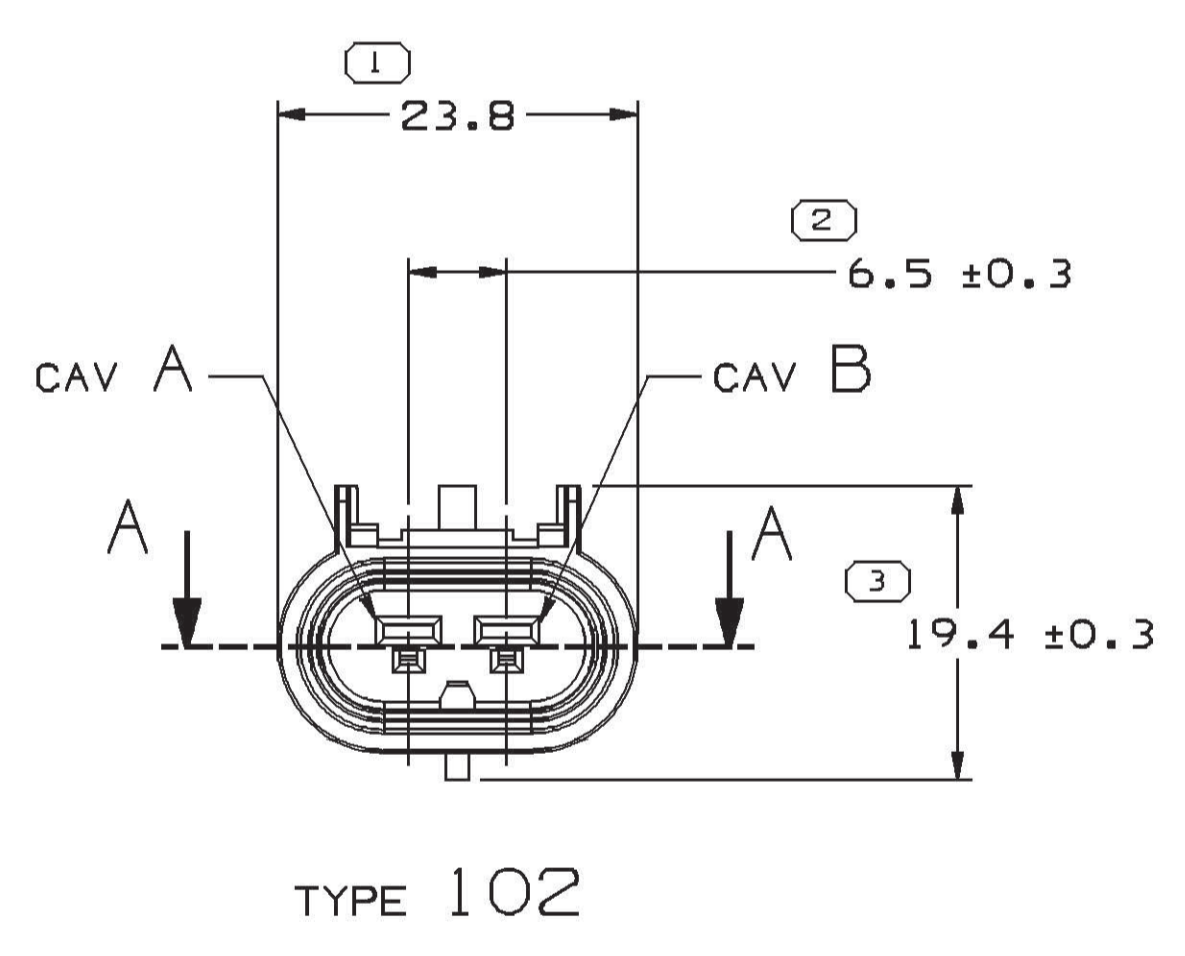
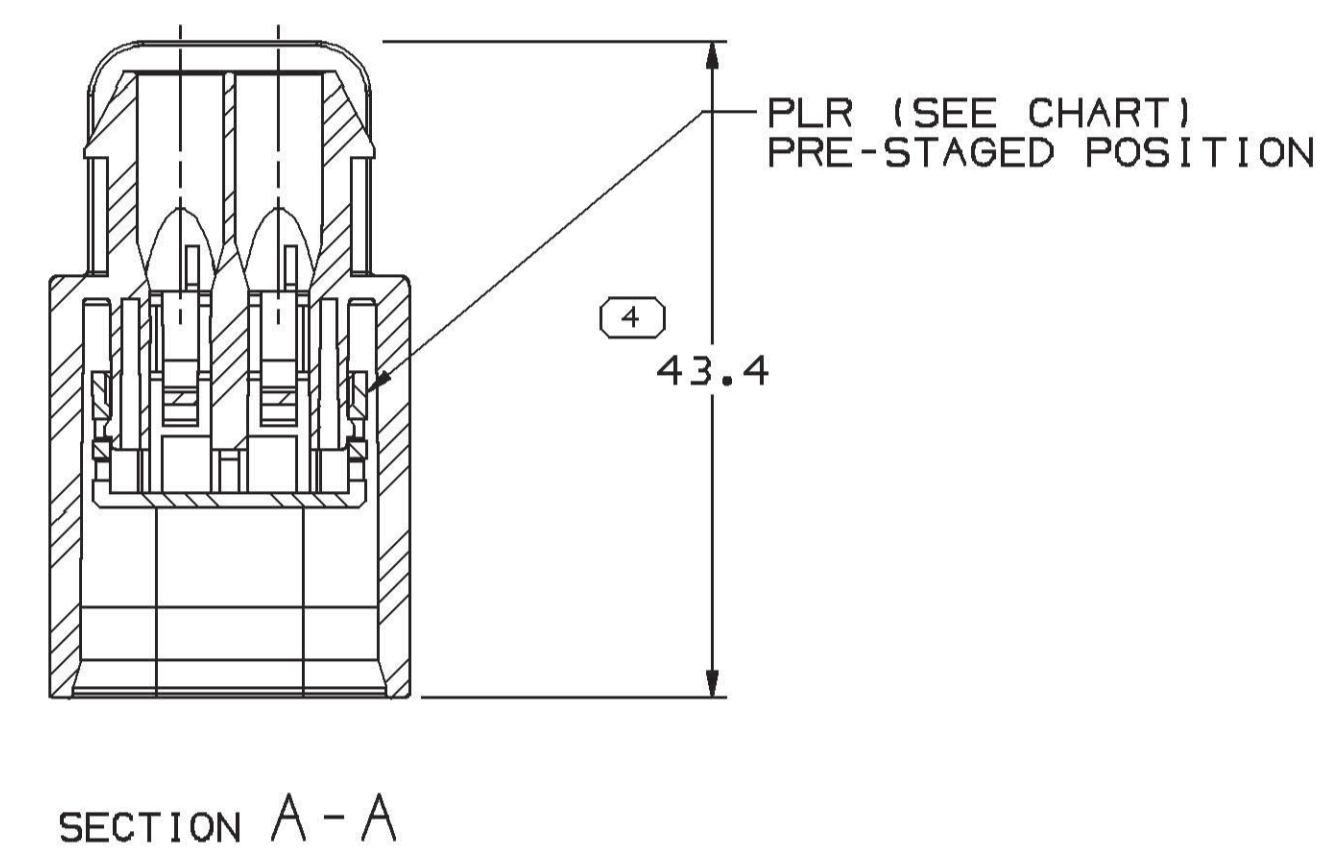
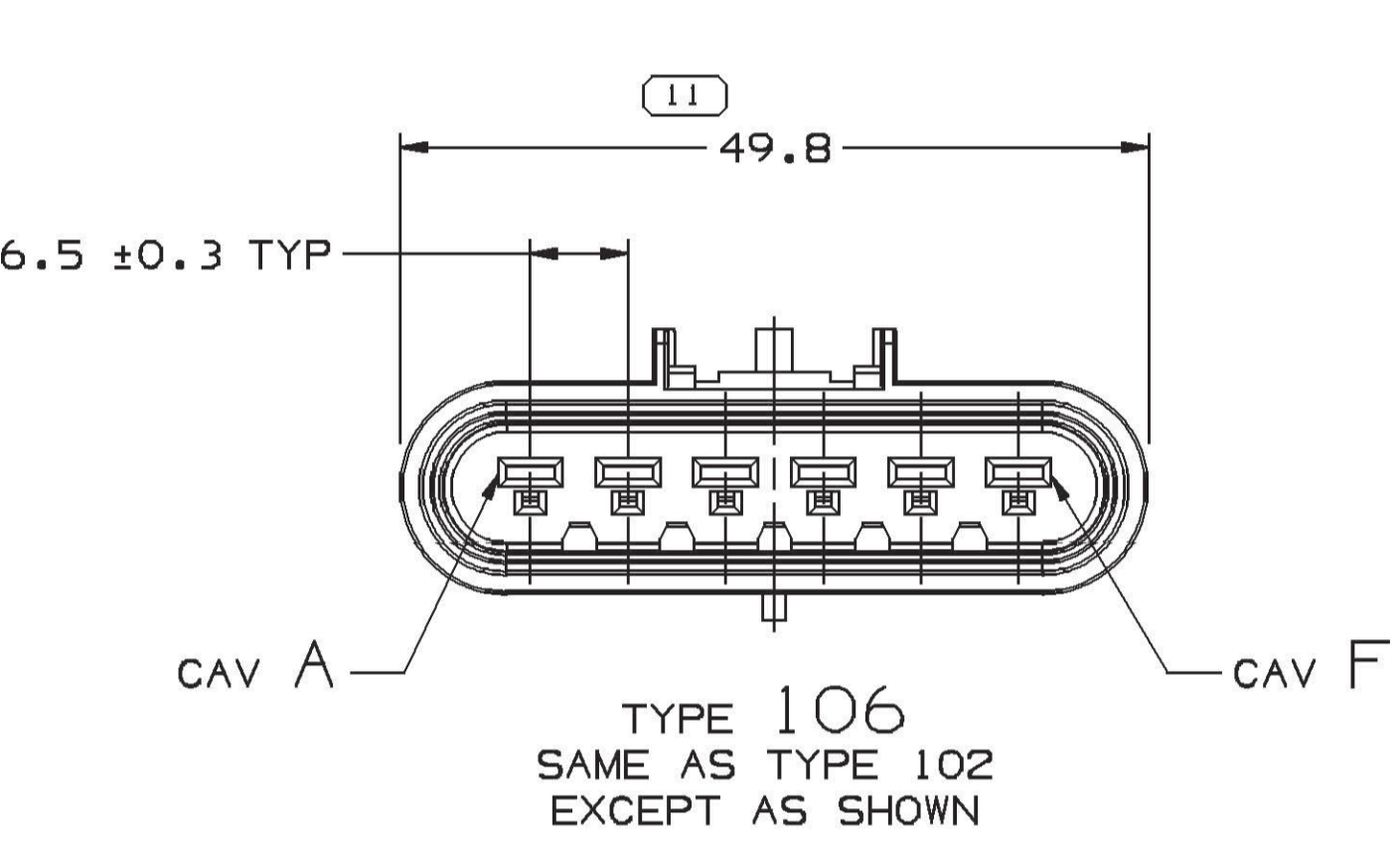
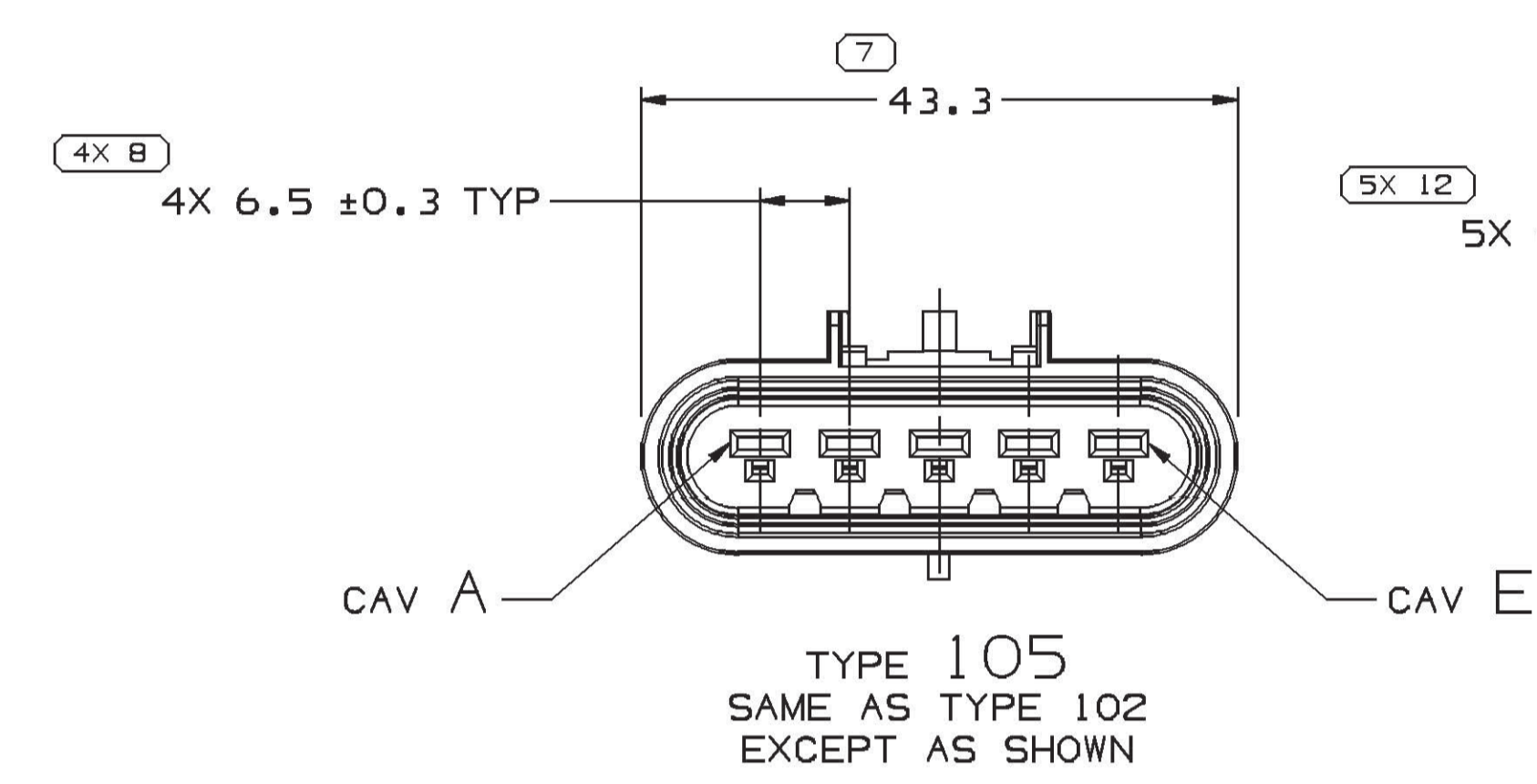
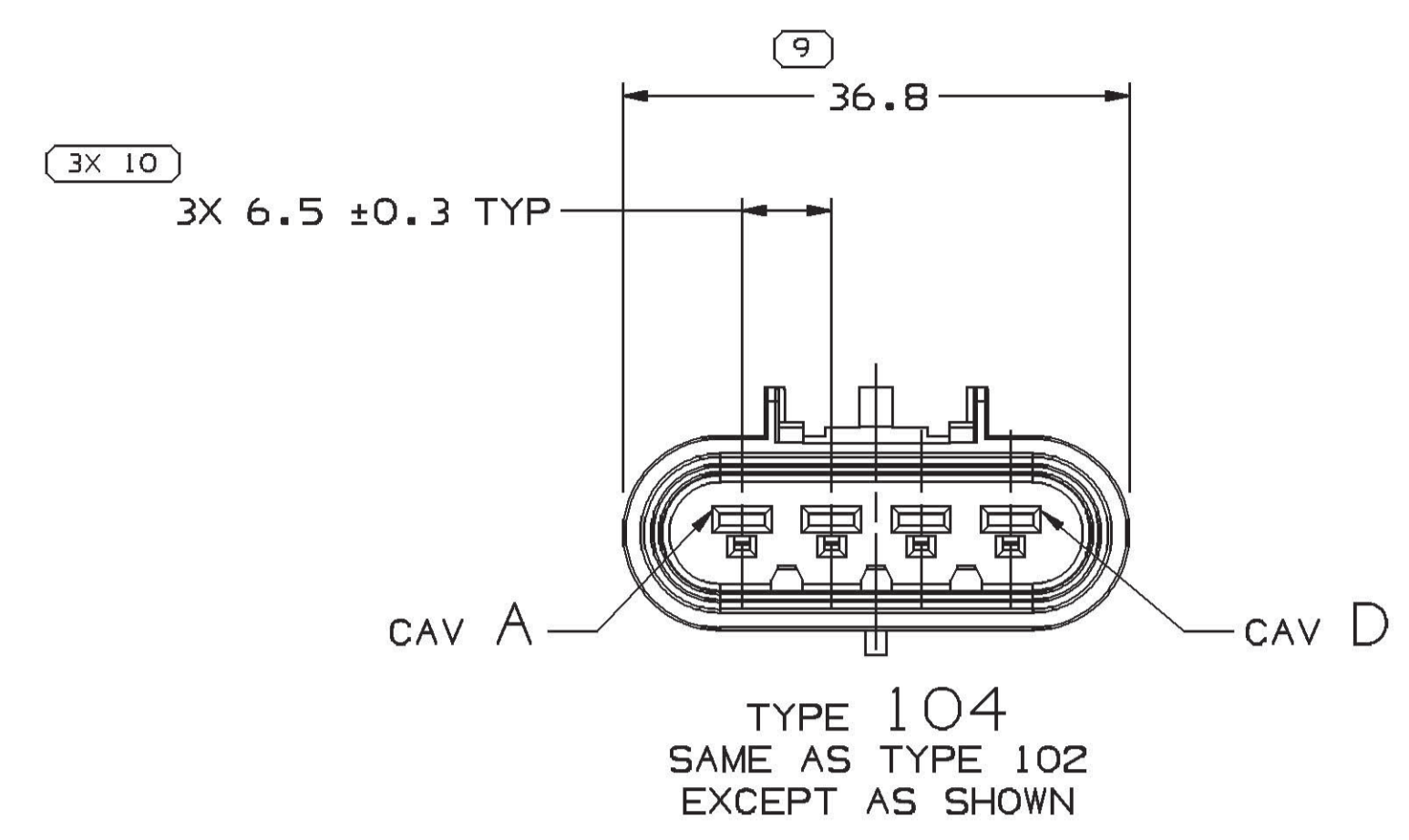
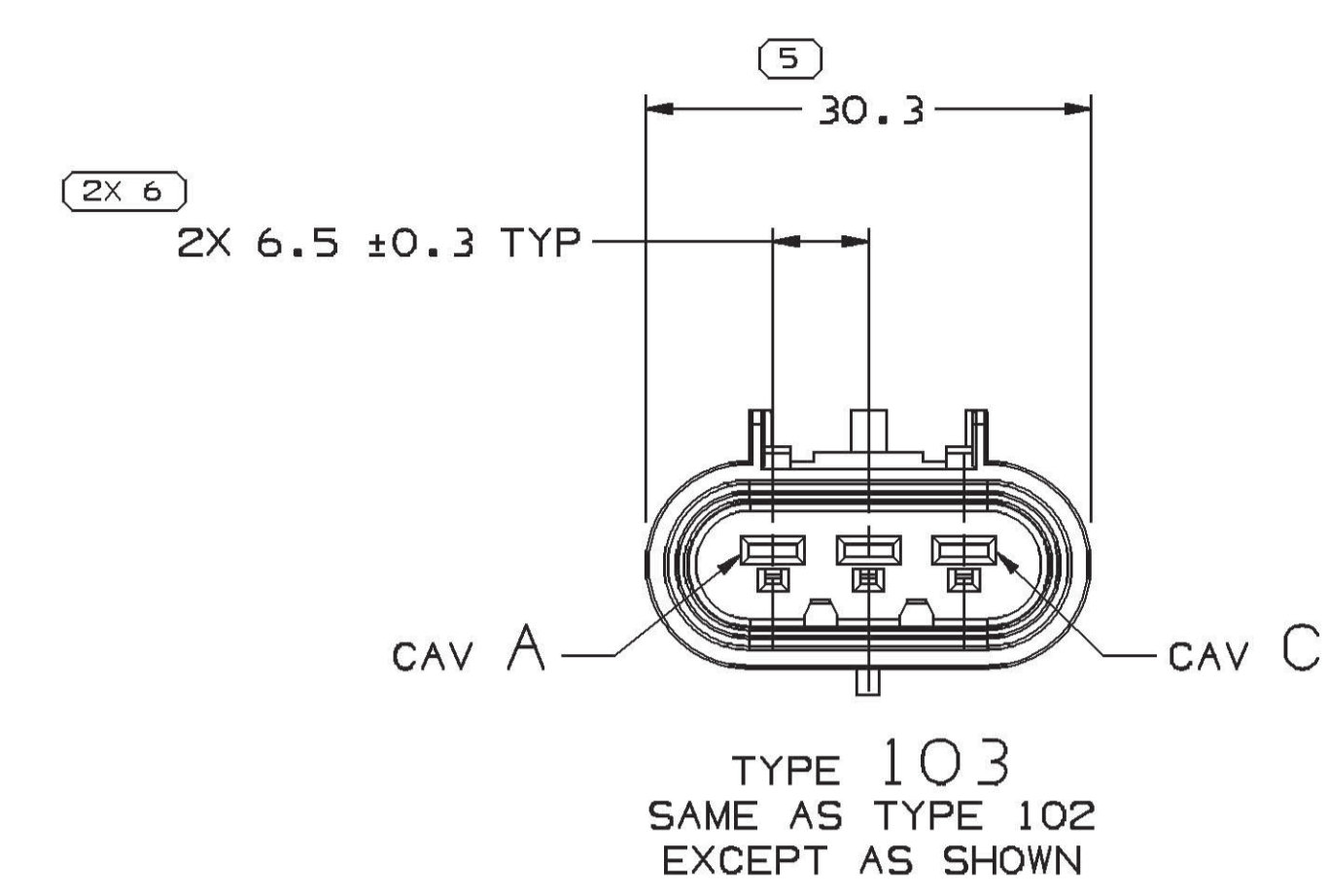
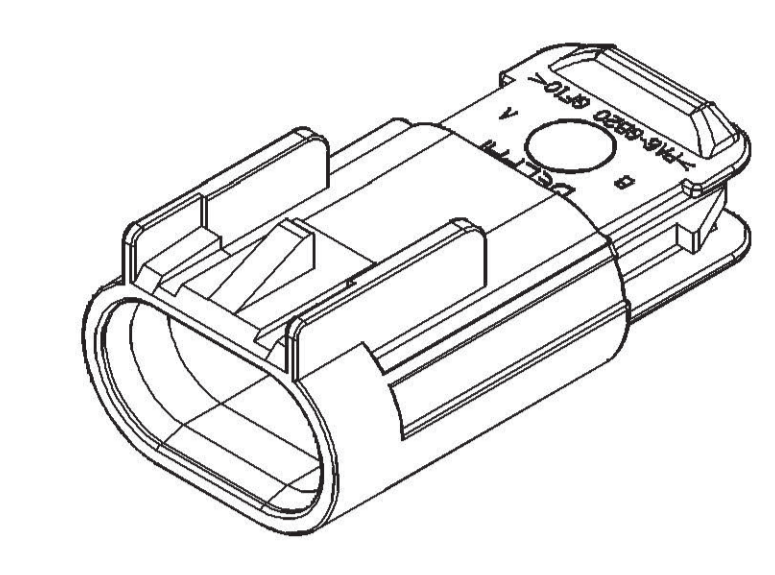


SYMBOL DEFINITION		MISSING SYMBOLS	
A DIMENSION WITHOUT AN INSPECTION REPORT SYMBOL DOES NOT REQUIRE INSPECTION. IT MAY BE CONTROLLED ON THE INDIVIDUAL COMPONENT DRAWING.	TOTAL NO OF INSPECTIONS REQUIRED	NO MISSING SYMBOL NUMBER	
	22		
	LAST NO. USED		
	12		

DWS STATUS		ZONE		REVISION HISTORY		AUTH		DR		APVD	
DATE	STG	REV	N/P	CHG							
05MY00	R	01	-	-	ADDED SLOT & REVISED DELPHI LOGO TO 15326680, 15326611, & 15326628	200214	ALS	ALS	RAP		
08NO00	R	02	-	-	15326633, 15326623, & 15326678 ON C/N #200214 - "A3" WAS "002"	204528	CJC	CJC	RAP		
22JL03	R	03	-	-	ALL PARTS - REVISED NOTES: 15326633, 15326647 AND 15326678 - ADDED TPA	243129	TLD	TLD	SAN		
02FE05	R	04	-	-	13518847, 13521457, 13521461, 13521465 AND 13521469 - RELEASED	264070	RH	RH	RWR		
09AP07	R	05	-	-	15326623, 15326633, 15326640, 15326647 & 15326678 - UPDATED PDM ATTRIBUTES	400967	JPH	FRG	PYP		
28MY08	R	06	-	-	13521469, 13521465, 13521461, 13521457 & 13518847 - OBSOLETE; 15326623 - CORRECTED REV LEVEL; ALL ACTIVE PARTS - ADDED APPLICATION DATA NOTE	404875	DEM	HAD	DEM		
10DE09	R	07	-	-	13795170 - RELEASED 15326647 & 15326623 - UPDATED PDM ATTRIBUTES	409645	VMR	MAC	VMR		



NOTES

- UNLESS OTHERWISE SPECIFIED AND/OR INDICATED:
DIMENSIONS ARE TO FACE OF VIEW SHOWN AND AUTOMATICALLY ROUNDED BY COMPUTER FOR INSPECTION (SEE MATH MODEL FOR PRECISE DIMENSIONS). FOR ALL OTHER DIMENSIONS NOT SHOWN BUT REQUIRED FOR TOOL BUILD, SEE MATH MODEL FOR PRECISE TOOL PATH DATA.
- SEALING CODE 4 - DESIGN WILL MEET REQUIREMENTS OF SAE/USCAR-2 CONNECTOR SYSTEM ENVIRONMENTAL TEST FLOWCHART (PRESSURE/VACUUM AND SUBMERSION).
- FOR APPLICATION DATA SEE THE INDIVIDUAL APPLICATION DRAWINGS.
- THIS PRODUCT IS NOT CATEGORIZED AS AN APPEARANCE ITEM. MINOR IMPERFECTIONS INCLUDING, BUT NOT LIMITED TO, FLOW MARKS, COLOR BLEMISHES, GATE VESTIGE, AND SOFT FLASH THAT DO NOT AFFECT THE FIT, FORM, OR FUNCTION OF THE PART ARE PERMISSIBLE PER NAP 4.10-18.

PART NO	REV	N/P	STATUS	TYPE	CONNECTOR	PLR
13795170	01	-	-	105	13795168	15326644
15326678/1D406186	A7	-	-	102	15326682/1D406185	15326680/1D406182
15326647/1D406208	A4	-	-	105	15326646/1D406207	15326644/1D406204
15326640/1D406215	A3	-	-	106	15326639/1D406214	15326637/1D406211
15326633/1D406201	A7	-	-	104	15326629/1D406200	15326628/1D406196
15326623/1D406193	02	AA	-	103	15326613/1D406192	15326611/1D406188
13521469	01	AA	OBSOLETE	106	13521468	15326637/1D406211
13521465	01	AA	OBSOLETE	105	13521464	15326644/1D406204
13521461	01	AA	OBSOLETE	104	13521460	15326628/1D406196
13521457	01	AA	OBSOLETE	103	13521456	15326611/1D406188
13518847	01	AA	OBSOLETE	102	13518846	15326680/1D406182

DWS TYPE		PART DRAWING	
STYLE	D		
VOLUME (Q/P)	DISTR CODE		
UNLESS OTHERWISE SPECIFIED			
THIS DOCUMENT IS IN ACCORDANCE WITH ASME Y14.5M-1994 AS MODIFIED BY THE 2003 SUPPLEMENT AND TELETYPE ADDENDUM-2001. SEPARATE PATTERNS OF FEATURES MAY BE SHOWN SEPARATELY REGARDLESS OF DATUM REFERENCES.			
ALL DIMENSIONS ARE IN MILLIMETERS			
REFERENCE			
DIMENSIONS ENCLOSED IN () INDICATE REFERENCE DIMENSIONS AND NO TOLERANCE LIMITS ARE ESTABLISHED			
DIMENSIONAL RANGE (MM)		CHART EST	
FROM	> 0	> 20	> 30
TO	20	30	70
TOLERANCE UNLESS OTHERWISE SPECIFIED		ANGULAR TOLERANCE ±2°	
±0.15 ±0.2 ±0.3 ±0.4 ±0.5 ±0.6 ±0.8 ±1 ±1.2			
THIRD ANGLE PROJECTION		DO NOT SCALE	
USE MATH DATA		N/A	

DELPHI
DELPHI PACKARD ELECTRICAL/ELECTRONIC ARCHITECTURE
WARREN, OH

DR	DATE
APV01 M. MCCALL	09JUL97
APV02 M. MCCALL	09JUL97
APV03 B. FLASK	28JUL97
APV04	
APV05	

SUBSTANCES OF CONCERN AND RECYCLED CONTENT PER DELPHI (944990)

MATERIAL SEE DRAWING

DRAWING NAME
TAXI ASM CONN M GT 280 SLD

DRAWING NUMBER
15326683

SHEET NO 1 OF 1
REV N/P 07