

**PLEASE CHECK WWW.MOLEX.COM FOR LATEST PART INFORMATION**

**Part Number:** [11-40-2004](#)  
**Status:** **Active**  
**Description:** Terminator Die

**Documents:**

[RoHS Certificate of Compliance \(PDF\)](#)

**General**

Product Family	Application Tooling
Series	<a href="#">T1801</a>
Function	Crimp
Geographic Area	Global
Level of Automation	Semi-Automatic
More Detailed Tech Information	<a href="mailto:applicationtooling@molex.com">applicationtooling@molex.com</a>
Product Name	N/A
Survey	<a href="http://www.molex.com//review/apptool_survey.html">www.molex.com//review/apptool_survey.html</a>
Tool Type	Terminator Die

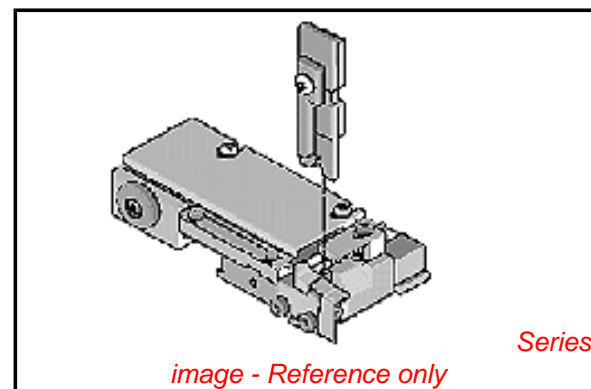
**Material Info**

Old Part Number T8302A

**Reference - Drawing Numbers**

Application Tooling Documents

T8302A, TM-638000029, TM-638000029CN, TM-638000029DE, TM-638000029FR, TM-638000029IT, TM-638000029JP, TM-638000029KR, TM-638000029MY, TM-638000029PL, TM-638000029RU, TM-638000029SK, TM-638000029SP, TM-638000029TH, TM-638000029TW, TM-638000029VN, TM-638500090, TM-638500090SP



*image - Reference only*

**EU RoHS**

**China RoHS**

**Compliance Status**

**Not Reviewed**

**REACH SVHC**

**Not Reviewed**

**Low-Halogen Status**

**Not Reviewed**

**Need more information on product environmental compliance?**

Email [productcompliance@molex.com](mailto:productcompliance@molex.com)  
 For a multiple part number RoHS Certificate of Compliance, [click here](#)

Please visit the [Contact Us](#) section for any non-product compliance questions.

**Search Parts in this Series**

[T1801Series](#)

**Use With**

Molex TM-42™ press 0690025001 and base unit 0011193001 for the 3BF press

**Application Tooling Description**

**FAQ Product #**

1.57mm Diameter, Standard .062" Pin and Socket Crimp Terminal, Series 1560, Male, with Tin (Sn) Plated Brass Contact, 18-24 AWG, Reel	0002062101
062 Female Term Chain Brs 50Au 18-24	0002065105
1.57mm Diameter, Standard .062" Pin and Socket Crimp Terminal, Female, with 0.38µm Gold	0002065100

(Au) Plated Brass Contact, 18-24 AWG, Reel	
1.57mm Diameter, Standard .062" Pin and Socket Crimp Terminal, Female, with 0.76µm Gold	0002065101
(Au) Plated Brass Contact, 18-24 AWG, Reel	
1.57mm Diameter, Standard .062" Pin and Socket Crimp Terminal, Female, with Selective Gold	0002065108
(Au) Plated Brass Contact, 18-24 AWG, Reel	
1.57mm Diameter, Standard .062" Pin and Socket Crimp Terminal, Series 1560, Male, with Gold (Au) Plated Brass Contact, 18-24 AWG, Reel	0002066100
1.57mm Diameter, Standard .062" Pin and Socket Crimp Terminal, Series 1560, Male, with .76µm Selective Gold (Au) Plated Brass Contact, 18-24 AWG, Reel Packaged	0002066101
1.57mm Diameter, Standard .062" Pin and Socket Crimp Terminal, Series 1560, Male, with Selective Gold	0002066118
(Au) Plated Brass Contact, Tin/Lead Plated Crimp Area, 18-24 AWG, Reel	
1.57mm Diameter, Standard .062" Pin and Socket Crimp Terminal, Female, with Tin (Sn) Plated Brass Contact, 18-24 AWG, Reel	0002061101

This document was generated on 03/26/2012

**PLEASE CHECK [WWW.MOLEX.COM](http://WWW.MOLEX.COM) FOR LATEST PART INFORMATION**