

# CAT28C256

## 256 kb Parallel EEPROM

### Description

The CAT28C256 is a fast, low power, 5 V-only CMOS Parallel EEPROM organized as 32K x 8-bits. It requires a simple interface for in-system programming. On-chip address and data latches, self-timed write cycle with auto-clear and  $V_{CC}$  power up/down write protection eliminate additional timing and protection hardware.  $\overline{DATA}$  Polling and Toggle status bits signal the start and end of the self-timed write cycle. Additionally, the CAT28C256 features hardware and software write protection.

The CAT28C256 is manufactured using ON Semiconductor's advanced CMOS floating gate technology. It is designed to endure 100,000 program/erase cycles and has a data retention of 100 years. The device is available in JEDEC approved 28-pin DIP, 28-pin TSOP or 32-pin PLCC packages.

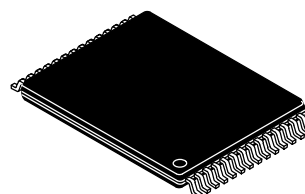
### Features

- Fast Read Access Times: 120/150 ns
- Low Power CMOS Dissipation:
  - Active: 25 mA Max.
  - Standby: 150  $\mu$ A Max.
- Simple Write Operation:
  - On-chip Address and Data Latches
  - Self-timed Write Cycle with Auto-clear
- Fast Write Cycle Time:
  - 5 ms Max.
- CMOS and TTL Compatible I/O
- Hardware and Software Write Protection
- Automatic Page Write Operation:
  - 1 to 64 Bytes in 5 ms
  - Page Load Timer
- End of Write Detection:
  - Toggle Bit
  - $\overline{DATA}$  Polling
- 100,000 Program/Erase Cycles
- 100 Year Data Retention
- Commercial, Industrial and Automotive Temperature Ranges

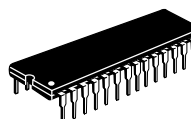


ON Semiconductor®

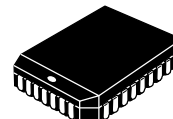
<http://onsemi.com>



TSOP-28  
T13, H13 SUFFIX  
CASE 318AE



PDIP-28  
P, L SUFFIX  
CASE 646AE



PLCC-32  
N, G SUFFIX  
CASE 776AK

### PIN FUNCTION

Pin Name	Function
$A_0-A_{14}$	Address Inputs
$I/O_0-I/O_7$	Data Inputs/Outputs
$\overline{CE}$	Chip Enable
$\overline{OE}$	Output Enable
$\overline{WE}$	Write Enable
$V_{CC}$	5 V Supply
$V_{SS}$	Ground
NC	No Connect

### ORDERING INFORMATION

See detailed ordering and shipping information in the package dimensions section on page 14 of this data sheet.

# CAT28C256

## PIN CONFIGURATION

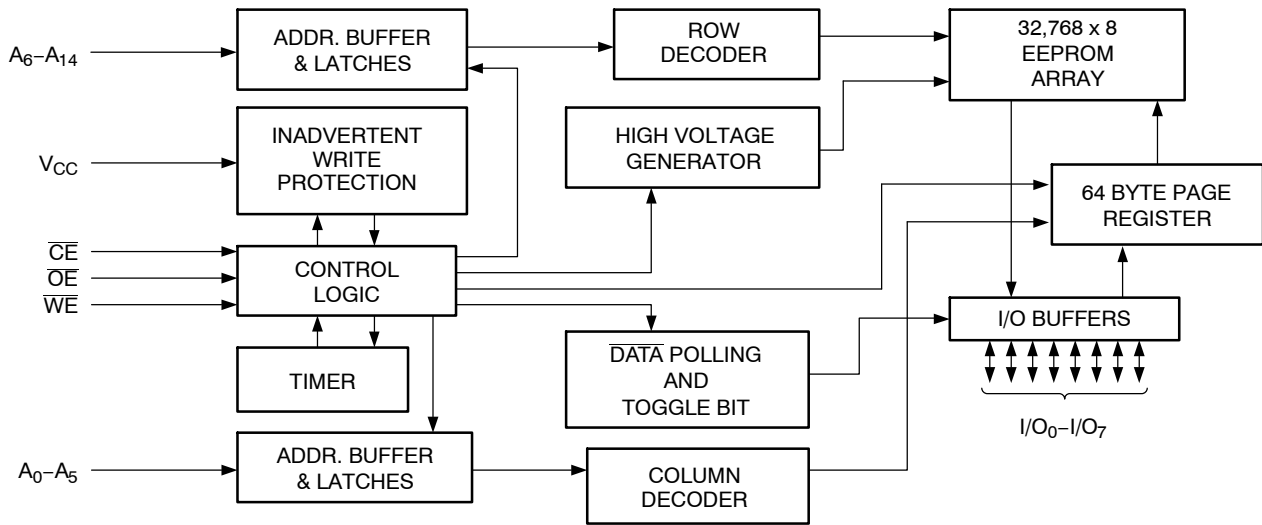
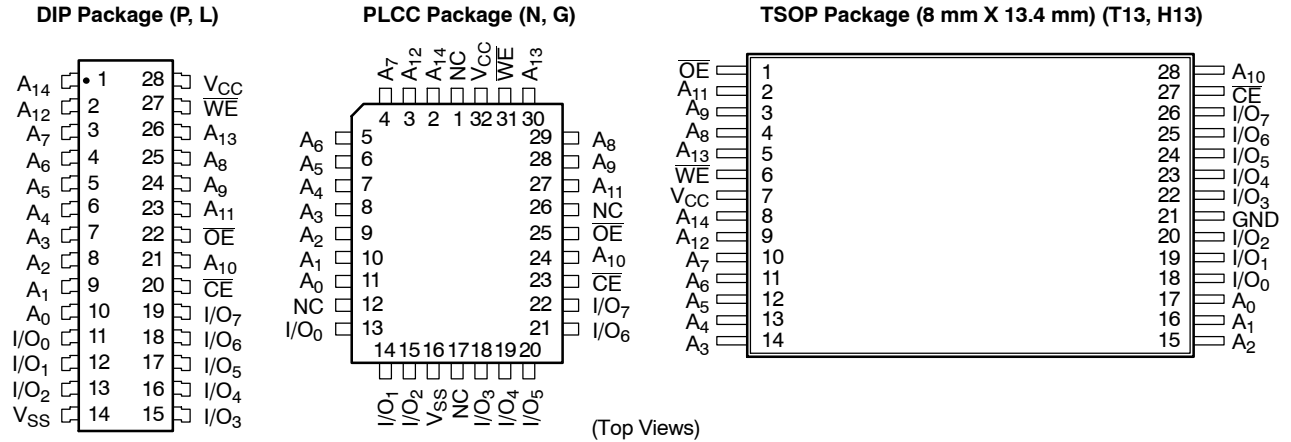


Figure 1. Block Diagram

# CAT28C256

**Table 1. ABSOLUTE MAXIMUM RATINGS**

Parameters	Ratings	Units
Temperature Under Bias	-55 to +125	°C
Storage Temperature	-65 to +150	°C
Voltage on Any Pin with Respect to Ground (Note 1)	-2.0 V to +V <sub>CC</sub> + 2.0 V	V
V <sub>CC</sub> with Respect to Ground	-2.0 to +7.0	V
Package Power Dissipation Capability (T <sub>A</sub> = 25°C)	1.0	W
Lead Soldering Temperature (10 secs)	300	°C
Output Short Circuit Current (Note 2)	100	mA

Stresses exceeding Maximum Ratings may damage the device. Maximum Ratings are stress ratings only. Functional operation above the Recommended Operating Conditions is not implied. Extended exposure to stresses above the Recommended Operating Conditions may affect device reliability.

- The minimum DC input voltage is -0.5 V. During transitions, inputs may undershoot to -2.0 V for periods of less than 20 ns. Maximum DC voltage on output pins is V<sub>CC</sub> + 0.5 V, which may overshoot to V<sub>CC</sub> + 2.0 V for periods of less than 20 ns.
- Output shorted for no more than one second. No more than one output shorted at a time.

**Table 2. RELIABILITY CHARACTERISTICS** (Note 3)

Symbol	Parameter	Test Method	Min	Max	Units
N <sub>END</sub>	Endurance	MIL-STD-883, Test Method 1033	100,000		Cycles/Byte
T <sub>DR</sub>	Data Retention	MIL-STD-883, Test Method 1008	100		Years
V <sub>ZAP</sub>	ESD Susceptibility	MIL-STD-883, Test Method 3015	2,000		V
I <sub>LTH</sub> (Note 4)	Latch-Up	JEDEC Standard 17	100		mA

- These parameters are tested initially and after a design or process change that affects the parameters.
- Latch-up protection is provided for stresses up to 100 mA on address and data pins from -1 V to V<sub>CC</sub> + 1 V.



**Table 3. D.C. OPERATING CHARACTERISTICS** (V<sub>CC</sub> = 5 V ±10%, unless otherwise specified.)

Symbol	Parameter	Test Conditions	Limits			Units
			Min	Typ	Max	
I <sub>CC</sub>	V <sub>CC</sub> Current (Operating, TTL)	$\overline{CE} = \overline{OE} = V_{IL}$ , f = 8 MHz, All I/O's Open			30	mA
I <sub>CCC</sub> (Note 5)	V <sub>CC</sub> Current (Operating, CMOS)	$\overline{CE} = \overline{OE} = V_{ILC}$ , f = 8 MHz, All I/O's Open			25	mA
I <sub>SB</sub>	V <sub>CC</sub> Current (Standby, TTL)	$\overline{CE} = V_{IH}$ , All I/O's Open			1	mA
I <sub>SBC</sub> (Note 6)	V <sub>CC</sub> Current (Standby, CMOS)	$\overline{CE} = V_{IHC}$ , All I/O's Open			150	μA
I <sub>LI</sub>	Input Leakage Current	V <sub>IN</sub> = GND to V <sub>CC</sub>	-10		10	μA
I <sub>LO</sub>	Output Leakage Current	V <sub>OUT</sub> = GND to V <sub>CC</sub> , $\overline{CE} = V_{IH}$	-10		10	μA
V <sub>IH</sub> (Note 6)	High Level Input Voltage		2		V <sub>CC</sub> + 0.3	V
V <sub>IL</sub> (Note 5)	Low Level Input Voltage		-0.3		0.8	V
V <sub>OH</sub>	High Level Output Voltage	I <sub>OH</sub> = -400 μA	2.4			V
V <sub>OL</sub>	Low Level Output Voltage	I <sub>OL</sub> = 2.1 mA			0.4	V
V <sub>WI</sub>	Write Inhibit Voltage		3.5			V

- V<sub>ILC</sub> = -0.3 V to +0.3 V.
- V<sub>IHC</sub> = V<sub>CC</sub> - 0.3 V to V<sub>CC</sub> + 0.3 V.

# CAT28C256

**Table 4. MODE SELECTION**

Mode	CE	WE	OE	I/O	Power
Read	L	H	L	D <sub>OUT</sub>	ACTIVE
Byte Write ( $\overline{WE}$ Controlled)	L		H	D <sub>IN</sub>	ACTIVE
Byte Write ( $\overline{CE}$ Controlled)		L	H	D <sub>IN</sub>	ACTIVE
Standby and Write Inhibit	H	X	X	High-Z	STANDBY
Read and Write Inhibit	X	H	H	High-Z	ACTIVE

**Table 5. CAPACITANCE** ( $T_A = 25^\circ\text{C}$ ,  $f = 1.0\text{ MHz}$ ,  $V_{CC} = 5\text{ V}$ )

Symbol	Test	Max	Conditions	Units
$C_{I/O}$ (Note 7)	Input/Output Capacitance	10	$V_{I/O} = 0\text{ V}$	pF
$C_{IN}$ (Note 7)	Input Capacitance	6	$V_{IN} = 0\text{ V}$	pF

7. This parameter is tested initially and after a design or process change that affects the parameter.

**Table 6. A.C. CHARACTERISTICS, READ CYCLE** ( $V_{CC} = 5\text{ V} \pm 10\%$ , unless otherwise specified.)

Symbol	Parameter	28C256-12		28C256-15		Units
		Min	Max	Min	Max	
$t_{RC}$	Read Cycle Time	120		150		ns
$t_{CE}$	$\overline{CE}$ Access Time		120		150	ns
$t_{AA}$	Address Access Time		120		150	ns
$t_{OE}$	$\overline{OE}$ Access Time		50		70	ns
$t_{LZ}$ (Note 8)	$\overline{CE}$ Low to Active Output	0		0		ns
$t_{OLZ}$ (Note 8)	$\overline{OE}$ Low to Active Output	0		0		ns
$t_{HZ}$ (Notes 8, 9)	$\overline{CE}$ High to High-Z Output		50		50	ns
$t_{OHZ}$ (Notes 8, 9)	$\overline{OE}$ High to High-Z Output		50		50	ns
$t_{OH}$ (Note 8)	Output Hold from Address Change	0		0		ns

8. This parameter is tested initially and after a design or process change that affects the parameter.

9. Output floating (High-Z) is defined as the state when the external data line is no longer driven by the output buffer.

# CAT28C256

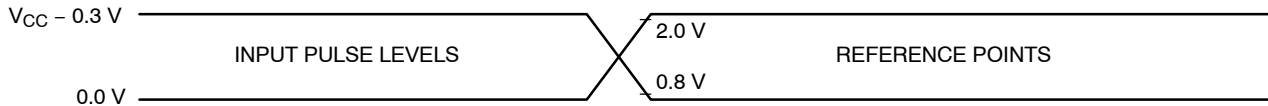
**Table 7. A.C. CHARACTERISTICS, WRITE CYCLE** ( $V_{CC} = 5\text{ V} \pm 10\%$ , unless otherwise specified.)

Symbol	Parameter	28C256-12		28C256-15		Units
		Min	Max	Min	Max	
$t_{WC}$	Write Cycle Time		5		5	ms
$t_{AS}$	Address Setup Time	0		0		ns
$t_{AH}$	Address Hold Time	50		50		ns
$t_{CS}$	$\overline{CE}$ Setup Time	0		0		ns
$t_{CH}$	$\overline{CE}$ Hold Time	0		0		ns
$t_{CW}$ (Note 10)	$\overline{CE}$ Pulse Time	100		100		ns
$t_{OES}$	$\overline{OE}$ Setup Time	0		0		ns
$t_{OEH}$	$\overline{OE}$ Hold Time	0		0		ns
$t_{Wp}$ (Note 10)	$\overline{WE}$ Pulse Width	100		100		ns
$t_{DS}$	Data Setup Time	50		50		ns
$t_{DH}$	Data Hold Time	10		10		ns
$t_{INIT}$ (Note 11)	Write Inhibit Period After Power-up	5	10	5	10	ms
$t_{BLC}$ (Notes 11, 12)	Byte Load Cycle Time	0.1	100	0.1	100	$\mu\text{s}$

10. A write pulse of less than 20 ns duration will not initiate a write cycle.

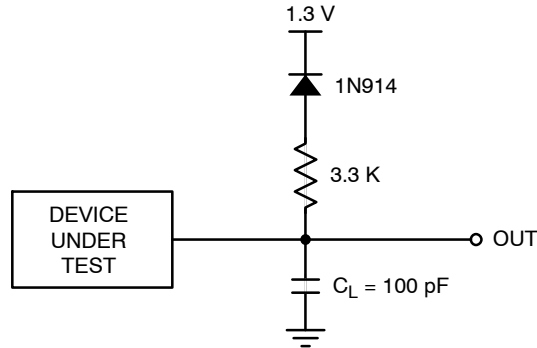
11. This parameter is tested initially and after a design or process change that affects the parameter.

12. A timer of duration  $t_{BLC\text{ max}}$  begins with every LOW to HIGH transition of WE. If allowed to time out, a page or byte write will begin; however a transition from HIGH to LOW within  $t_{BLC\text{ max}}$  stops the timer.



**Figure 2. A.C. Testing Input/Output Waveform** (Note 13)

13. Input rise and fall times (10% and 90%) < 10 ns.



$C_L$  INCLUDES JIG CAPACITANCE

**Figure 3. A.C. Testing Load Circuit (example)**

# CAT28C256

## DEVICE OPERATION

### Read

Data stored in the CAT28C256 is transferred to the data bus when  $\overline{WE}$  is held high, and both  $\overline{OE}$  and  $\overline{CE}$  are held low. The data bus is set to a high impedance state when either  $\overline{CE}$  or  $\overline{OE}$  goes high. This 2-line control architecture can be used to eliminate bus contention in a system environment.

### Byte Write

A write cycle is executed when both  $\overline{CE}$  and  $\overline{WE}$  are low, and  $\overline{OE}$  is high. Write cycles can be initiated using either  $\overline{WE}$  or  $\overline{CE}$ , with the address input being latched on the falling edge of  $\overline{WE}$  or  $\overline{CE}$ , whichever occurs last. Data, conversely, is latched on the rising edge of  $\overline{WE}$  or  $\overline{CE}$ , whichever occurs first. Once initiated, a byte write cycle automatically erases the addressed byte and the new data is written within 5 ms.

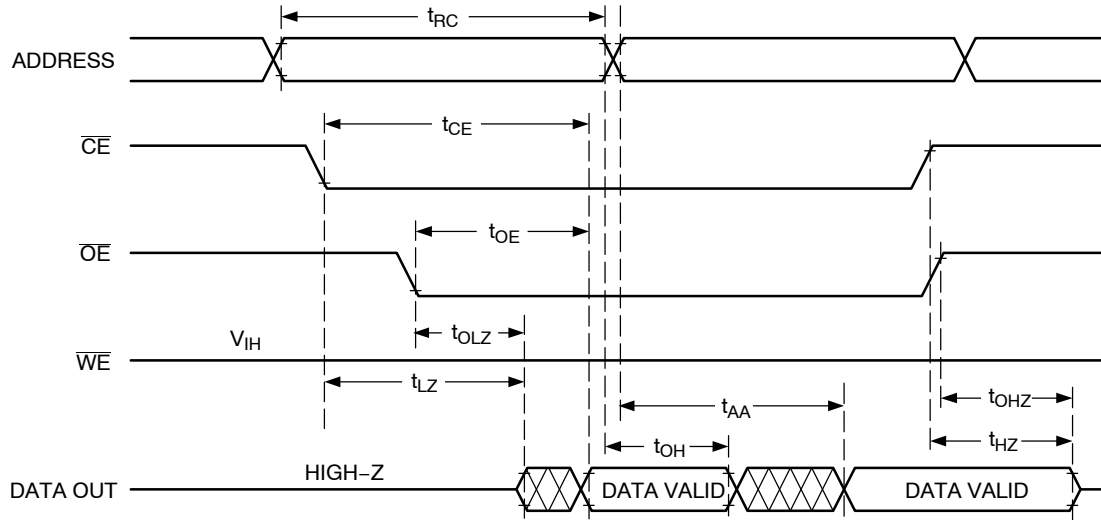


Figure 4. Read Cycle

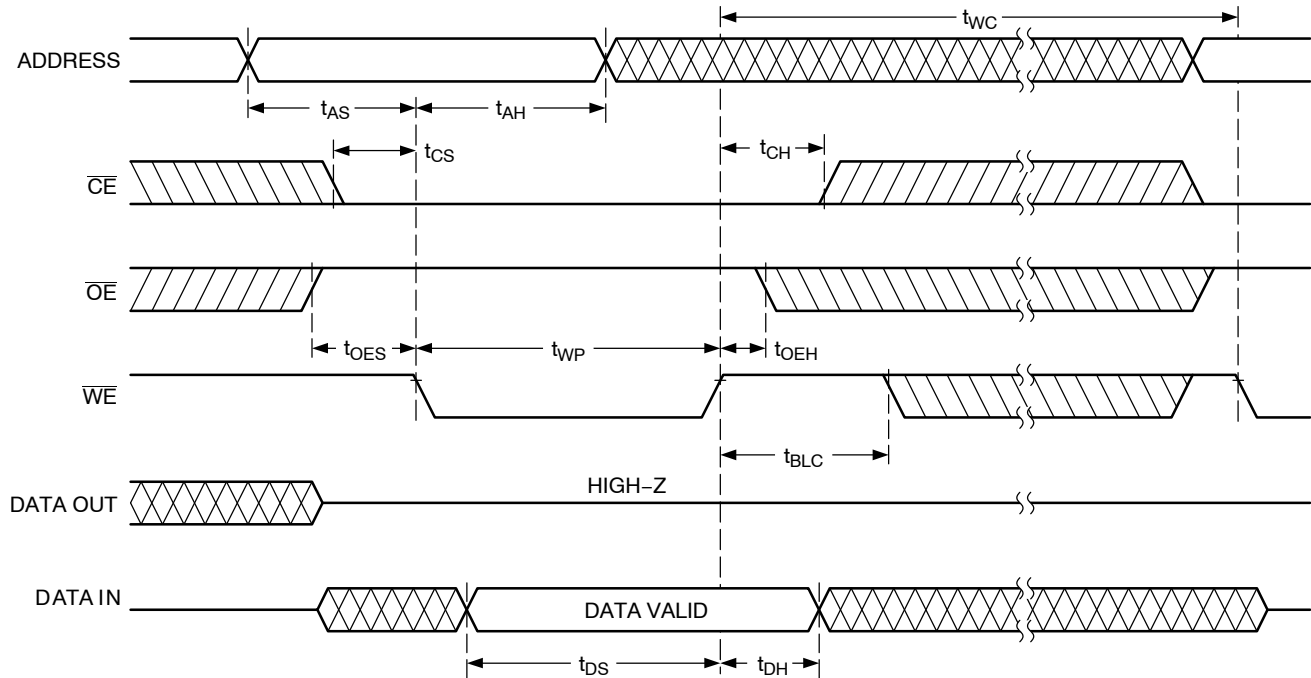


Figure 5. Byte Write Cycle [ $\overline{WE}$  Controlled]

# CAT28C256

## Page Write

The page write mode of the CAT28C256 (essentially an extended BYTE WRITE mode) allows from 1 to 64 bytes of data to be programmed within a single EEPROM write cycle. This effectively reduces the byte-write time by a factor of 64.

Following an initial WRITE operation ( $\overline{WE}$  pulsed low, for  $t_{WP}$ , and then high) the page write mode can begin by issuing sequential  $\overline{WE}$  pulses, which load the address and data bytes into a 64 byte temporary buffer. The page address where data is to be written, specified by bits  $A_6$  to  $A_{14}$ , is latched on the last falling edge of  $\overline{WE}$ . Each byte within the page is defined by address bits  $A_0$  to  $A_5$  (which can be loaded

in any order) during the first and subsequent write cycles. Each successive byte load cycle must begin within  $t_{BLCMAX}$  of the rising edge of the preceding  $\overline{WE}$  pulse. There is no page write window limitation as long as  $\overline{WE}$  is pulsed low within  $t_{BLCMAX}$ .

Upon completion of the page write sequence,  $\overline{WE}$  must stay high a minimum of  $t_{BLCMAX}$  for the internal automatic program cycle to commence. This programming cycle consists of an erase cycle, which erases any data that existed in each addressed cell, and a write cycle, which writes new data back into the cell. A page write will only write data to the locations that were addressed and will not rewrite the entire page.

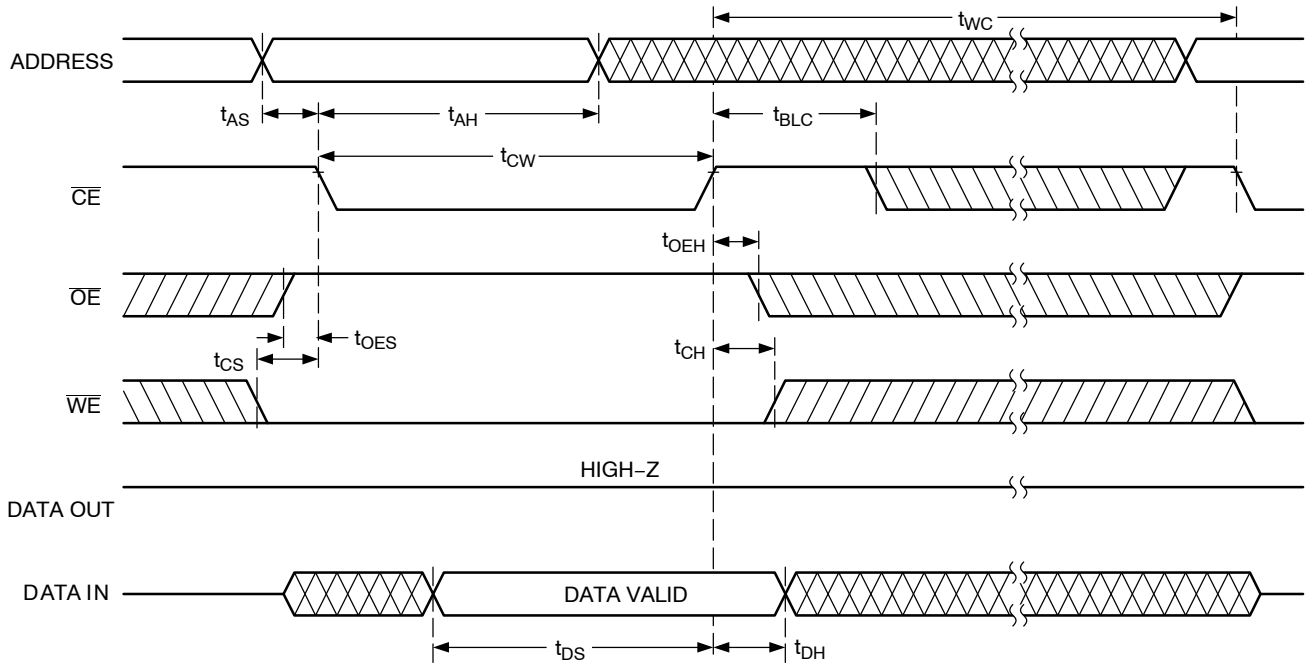


Figure 6. Byte Write Cycle [ $\overline{CE}$  Controlled]

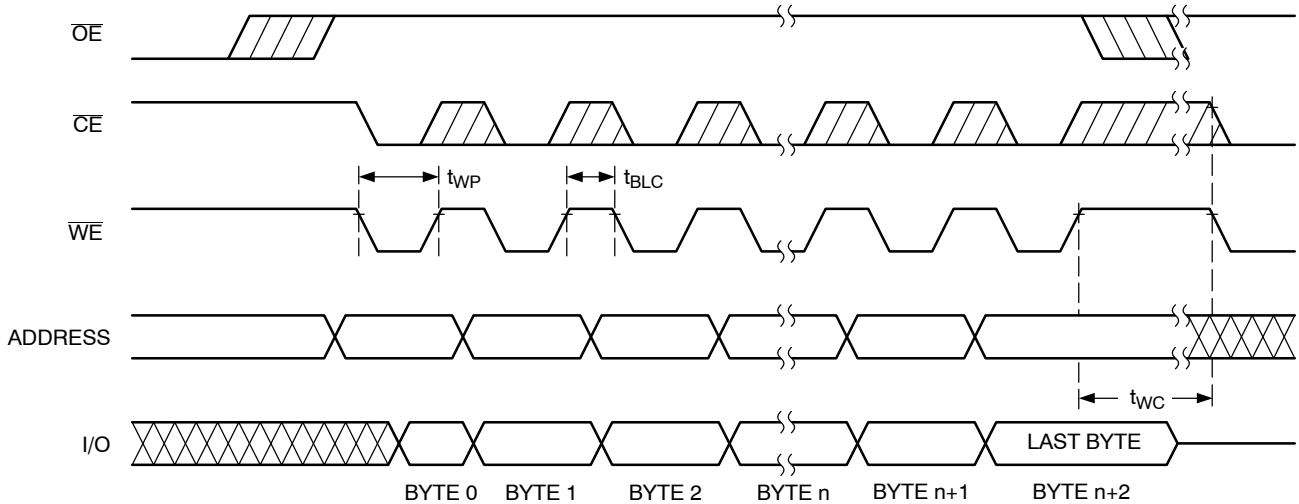


Figure 7. Page Mode Write Cycle

# CAT28C256

## DATA Polling

DATA polling is provided to indicate the completion of write cycle. Once a byte write or page write cycle is initiated, attempting to read the last byte written will output the complement of that data on I/O<sub>7</sub> (I/O<sub>0</sub>–I/O<sub>6</sub> are indeterminate) until the programming cycle is complete. Upon completion of the self-timed write cycle, all I/O's will output true data during a read cycle.

## Toggle Bit

In addition to the DATA Polling feature of the CAT28C256, the device offers an additional method for determining the completion of a write cycle. While a write cycle is in progress, reading data from the device will result in I/O<sub>6</sub> toggling between one and zero. However, once the write is complete, I/O<sub>6</sub> stops toggling and valid data can be read from the device.

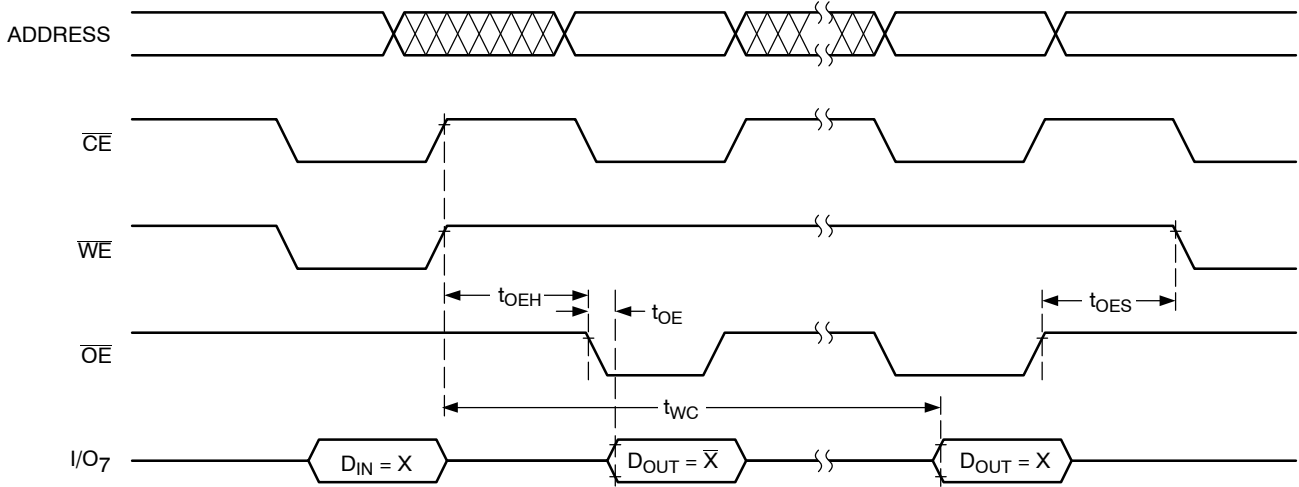


Figure 8. DATA Polling

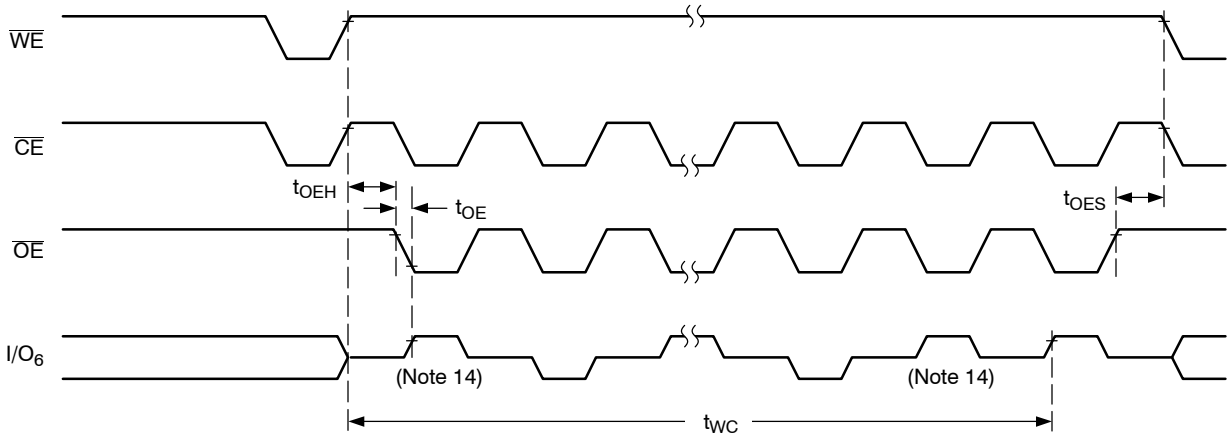


Figure 9. Toggle Bit

14. Beginning and ending state of I/O<sub>6</sub> is indeterminate.



# CAT28C256

## Hardware Data Protection

The following is a list of hardware data protection features that are incorporated into the CAT28C256.

1.  $V_{CC}$  sense provides for write protection when  $V_{CC}$  falls below 3.5 V min.
2. A power on delay mechanism,  $t_{INIT}$  (see AC characteristics), provides a 5 to 10 ms delay before a write sequence, after  $V_{CC}$  has reached 3.5 V min.
3. Write inhibit is activated by holding any one of  $\overline{OE}$  low,  $\overline{CE}$  high or  $\overline{WE}$  high.

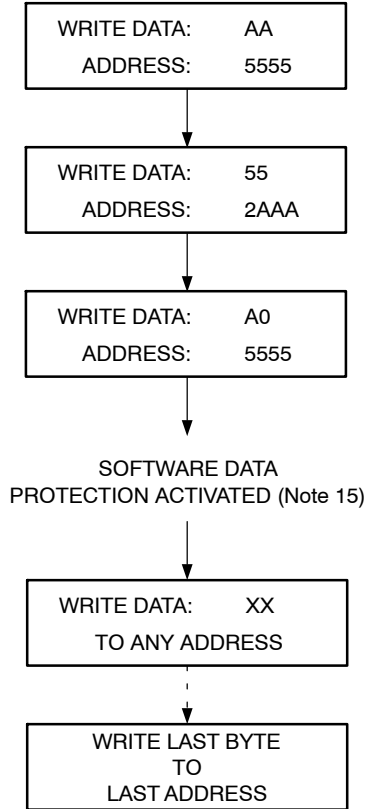


Figure 10. Write Sequence for Activating Software Data Protection

4. Noise pulses of less than 20 ns on the  $\overline{WE}$  or  $\overline{CE}$  inputs will not result in a write cycle.

## Software Data Protection

The CAT28C256 features a software controlled data protection scheme which, once enabled, requires a data algorithm to be issued to the device before a write can be performed. The device is shipped from ON Semiconductor with the software protection NOT ENABLED (the CAT28C256 is in the standard operating mode).

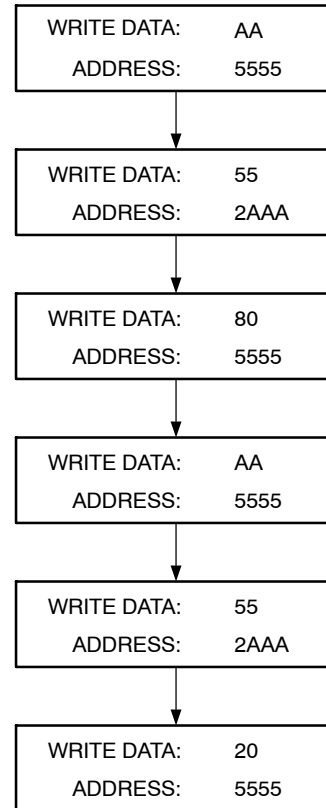


Figure 11. Write Sequence for Deactivating Software Data Protection

15. Write protection is activated at this point whether or not any more writes are completed. Writing to addresses must occur within  $t_{BLC}$  Max., after SDP activation.

## CAT28C256

To activate the software data protection, the device must be sent three write commands to specific addresses with specific data (Figure 10). This sequence of commands (along with subsequent writes) must adhere to the page write timing specifications (Figure 12). Once this is done, all subsequent byte or page writes to the device must be preceded by this same set of write commands. The data protection mechanism is activated until a deactivate sequence is issued regardless of power on/off transitions. This gives the user added inadvertent write protection on power-up in addition to the hardware protection provided.

To allow the user the ability to program the device with an EEPROM programmer (or for testing purposes) there is a software command sequence for deactivating the data protection. The six step algorithm (Figure 11) will reset the internal protection circuitry, and the device will return to standard operating mode (Figure 13 provides reset timing). After the sixth byte of this reset sequence has been issued, standard byte or page writing can commence.

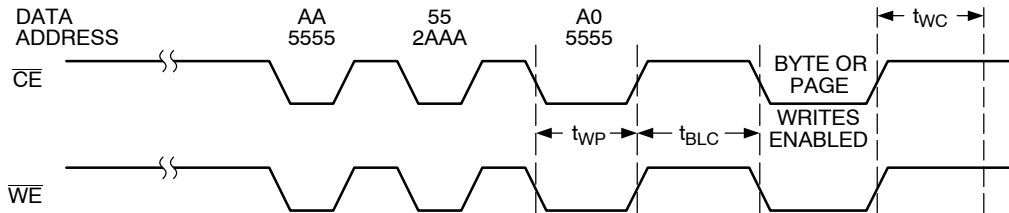


Figure 12. Software Data Protection Timing

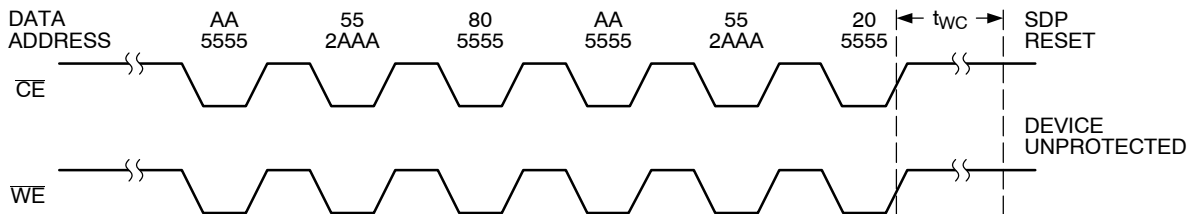
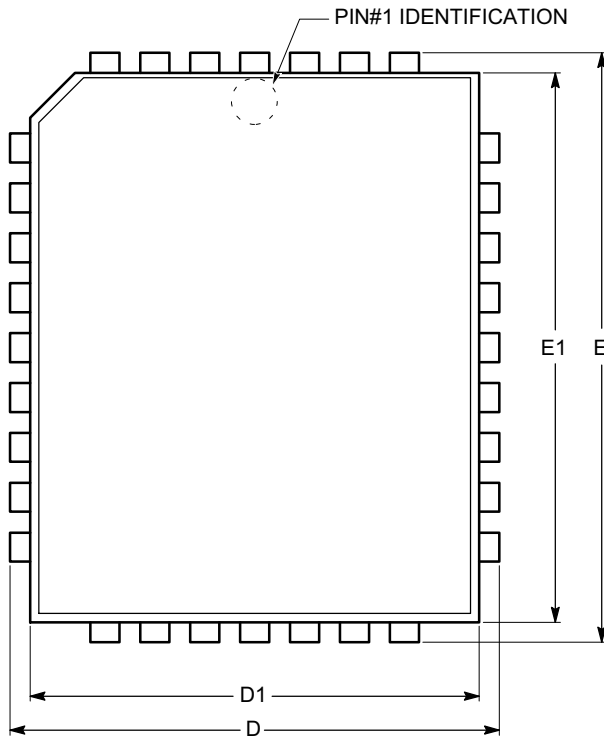


Figure 13. Resetting Software Data Protection Timing

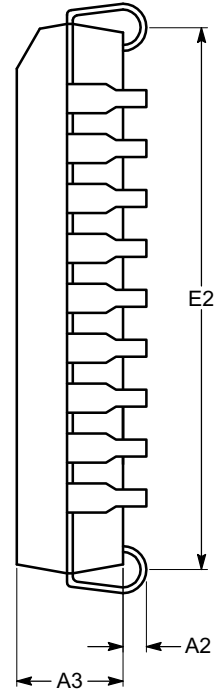
# CAT28C256

## PACKAGE DIMENSIONS

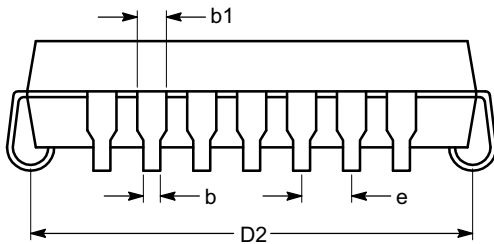
PLCC 32  
CASE 776AK-01  
ISSUE O



TOP VIEW



END VIEW



SIDE VIEW

**Notes:**

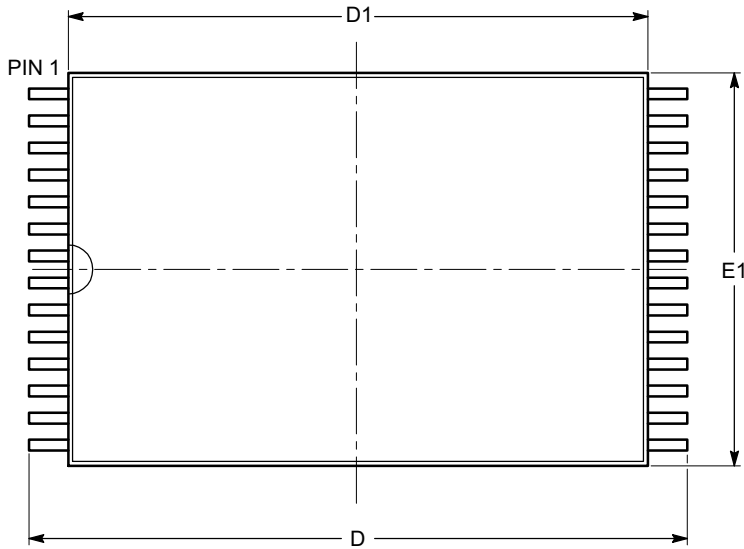
- (1) All dimensions are in millimeters.
- (2) Complies with JEDEC MS-016.

SYMBOL	MIN	NOM	MAX
A2	0.38		
A3	2.54		2.80
b	0.33		0.54
b1	0.66		0.82
D	12.32		12.57
D1	11.36		11.50
D2	9.56		11.32
E	14.86		15.11
E1	13.90		14.04
E2	12.10		13.86
e	1.27 BSC		

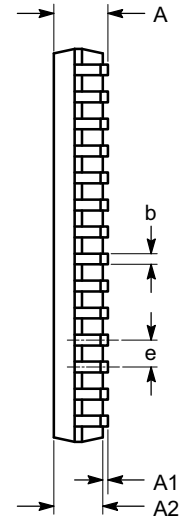
# CAT28C256

## PACKAGE DIMENSIONS

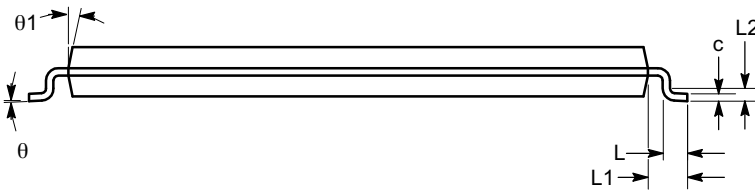
TSOP 28, 8x13.4  
CASE 318AE-01  
ISSUE O



TOP VIEW



END VIEW



SIDE VIEW

SYMBOL	MIN	NOM	MAX
A	1.00	1.10	1.20
A1	0.05		0.15
A2	0.90	1.00	1.05
b	0.17	0.22	0.27
c	0.10	0.15	0.20
D	13.20	13.40	13.60
D1	11.70	11.80	11.90
E	7.90	8.00	8.10
e	0.55 BSC		
L	0.30	0.50	0.70
L1	0.675		
L2	0.25 BSC		
$\theta$	0°	3°	5°
$\theta_1$	10°	12°	16°

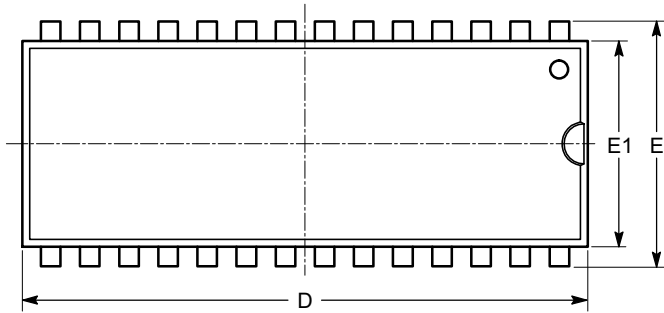
**Notes:**

- (1) All dimensions are in millimeters. Angles in degrees.
- (2) Complies with JEDEC MS-183.

# CAT28C256

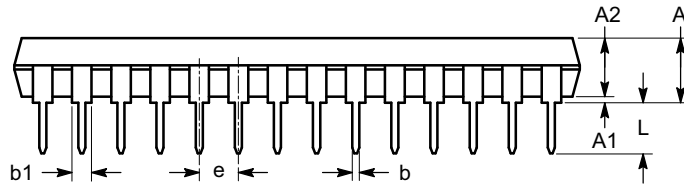
## PACKAGE DIMENSIONS

PDIP-28, 600 mils  
CASE 646AE-01  
ISSUE A

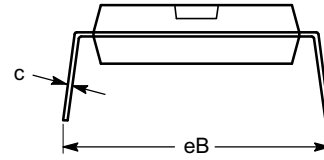


TOP VIEW

SYMBOL	MIN	NOM	MAX
A			6.35
A1	0.39		
A2	3.18		4.95
b	0.36		0.55
b1	0.77		1.77
c	0.21		0.38
D	35.10		39.70
E	15.24		15.87
E1	12.32		14.73
e	2.54 BSC		
eB	15.24		17.78
L	2.93		5.08



SIDE VIEW



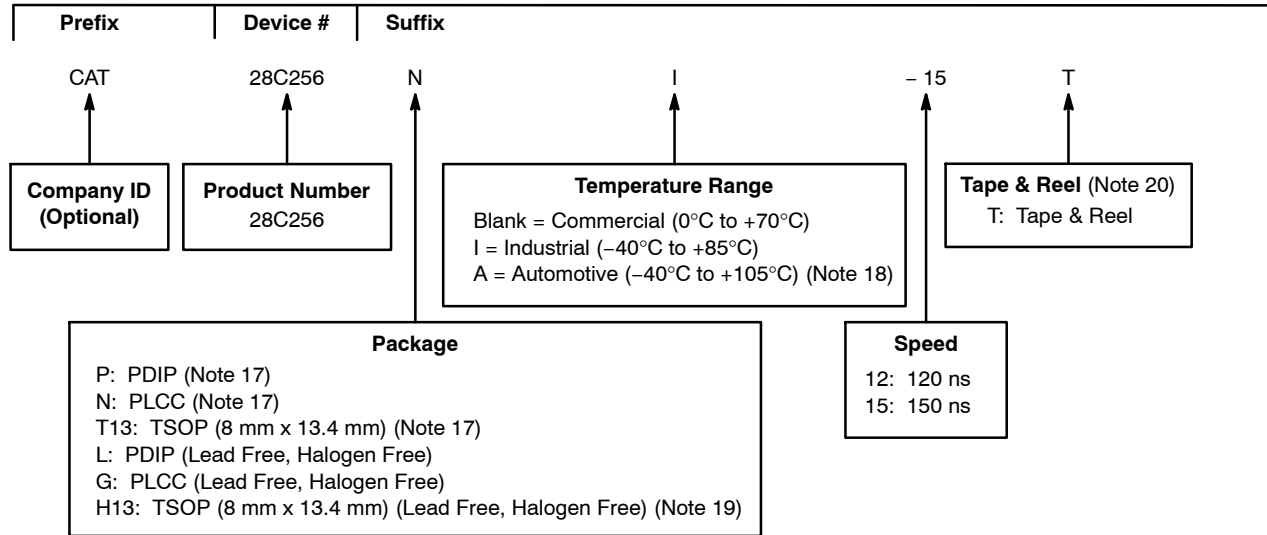
END VIEW

**Notes:**

- (1) All dimensions are in millimeters.
- (2) Complies with JEDEC MS-011.

# CAT28C256

## Example of Ordering Information (Note 16)



16. The device used in the above example is a CAT28C256NI-15T (PLCC, Industrial Temperature, 150 ns Access Time, Tape & Reel).

17. Solder-plate (tin-lead) packages, contact Factory for availability.

18. -40°C to +125°C is available upon request.

19. For the TSOP package (H13), the orderable part number does not contain a hyphen, example: CAT28C256H13I15T.

20. For information on tape and reel specifications, including part orientation and tape sizes, please refer to our Tape and Reel Packaging Specifications Brochure, BRD8011/D.

**ON Semiconductor** and **ON** are registered trademarks of Semiconductor Components Industries, LLC (SCILLC). SCILLC reserves the right to make changes without further notice to any products herein. SCILLC makes no warranty, representation or guarantee regarding the suitability of its products for any particular purpose, nor does SCILLC assume any liability arising out of the application or use of any product or circuit, and specifically disclaims any and all liability, including without limitation special, consequential or incidental damages. "Typical" parameters which may be provided in SCILLC data sheets and/or specifications can and do vary in different applications and actual performance may vary over time. All operating parameters, including "Typicals" must be validated for each customer application by customer's technical experts. SCILLC does not convey any license under its patent rights nor the rights of others. SCILLC products are not designed, intended, or authorized for use as components in systems intended for surgical implant into the body, or other applications intended to support or sustain life, or for any other application in which the failure of the SCILLC product could create a situation where personal injury or death may occur. Should Buyer purchase or use SCILLC products for any such unintended or unauthorized application, Buyer shall indemnify and hold SCILLC and its officers, employees, subsidiaries, affiliates, and distributors harmless against all claims, costs, damages, and expenses, and reasonable attorney fees arising out of, directly or indirectly, any claim of personal injury or death associated with such unintended or unauthorized use, even if such claim alleges that SCILLC was negligent regarding the design or manufacture of the part. SCILLC is an Equal Opportunity/Affirmative Action Employer. This literature is subject to all applicable copyright laws and is not for resale in any manner.

## PUBLICATION ORDERING INFORMATION

### LITERATURE FULFILLMENT:

Literature Distribution Center for ON Semiconductor  
P.O. Box 5163, Denver, Colorado 80217 USA  
Phone: 303-675-2175 or 800-344-3860 Toll Free USA/Canada  
Fax: 303-675-2176 or 800-344-3867 Toll Free USA/Canada  
Email: [orderlit@onsemi.com](mailto:orderlit@onsemi.com)

**N. American Technical Support:** 800-282-9855 Toll Free  
USA/Canada  
**Europe, Middle East and Africa Technical Support:**  
Phone: 421 33 790 2910  
**Japan Customer Focus Center**  
Phone: 81-3-5773-3850

**ON Semiconductor Website:** [www.onsemi.com](http://www.onsemi.com)

**Order Literature:** <http://www.onsemi.com/orderlit>

For additional information, please contact your local Sales Representative