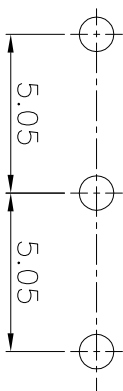
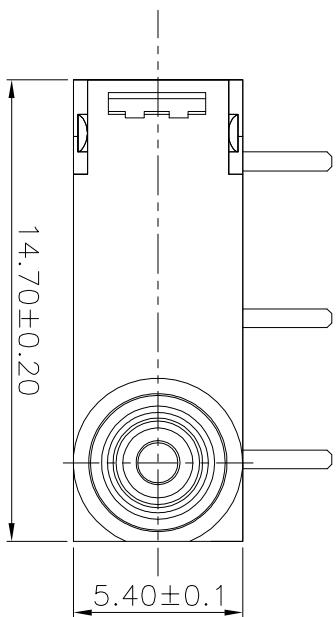
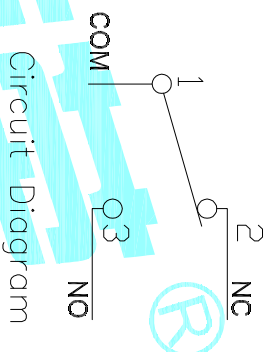


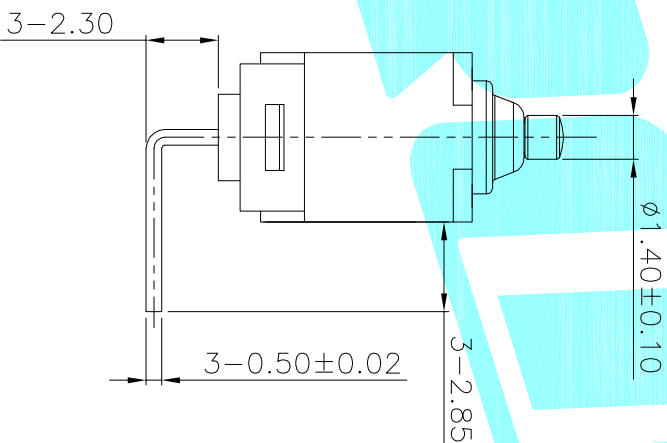
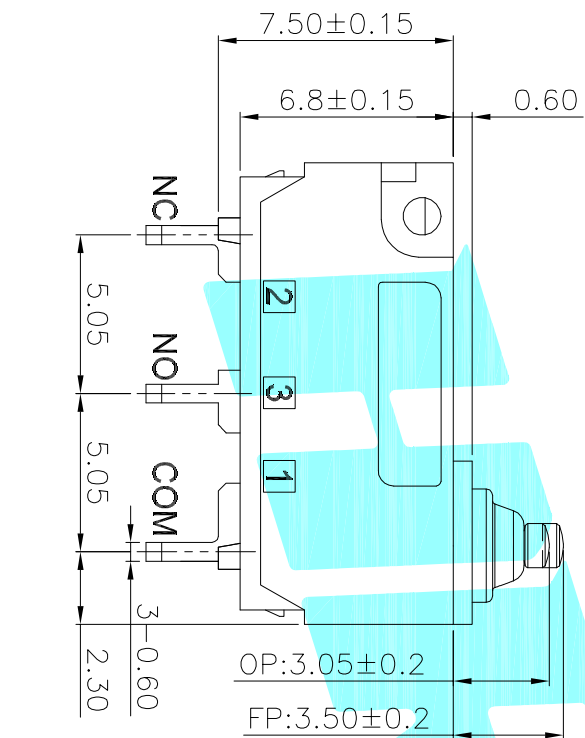
INGRESS PROTECTION:IP67



P.C.B layout



Circuit Diagram



NOTE:

1. Rating 1: DC12V 3A  
Rating 2: 48V DC/125V AC/250V AC 0.1A
2. Operating force: 130gf MAX
3. Electric Life: 10,000
4. Mechanical Life: 1,000,000

⑦	Shrapnel	—	1	Brass	Plating silver	—
⑥	Contact	—	1	Ag	—	—
⑤	Sealed Circle	—	1	Silicone Rubber	—	—
④	Terminal	—	3	Brass(0.50t)	Plating silver	—
③	Plunger	—	1	POM	Black	—
②	Cose	—	1	PA	Black	—
①	Cover	—	1	PA	Black	—
ITEM	PART NAME	TER'NO.	QTY.	MATERIAL	FINISHING	REMARK

APPROVALS	DATE	ELECTRONICS CO.,LTD			
DRAWN	J.X.Zhang	MICRO SWITCHS			
CHECKED	2018/8/1	K9-1801H			
APPROVALS					

ECN NO.	REV.	DATE.	DESCRIPTION.	CHANGE.	CHECK.	APPRO.	TOLERANCES ARE	30~R/L	±0.30	ANGLE	PART NO.	SCALE:	1:1	PROD.	SHEET
	A		NEW				10~S	±0.20			K9-1801H	1:1	PROJ.	1 OF 1	
							5~T	±0.15	±2'						