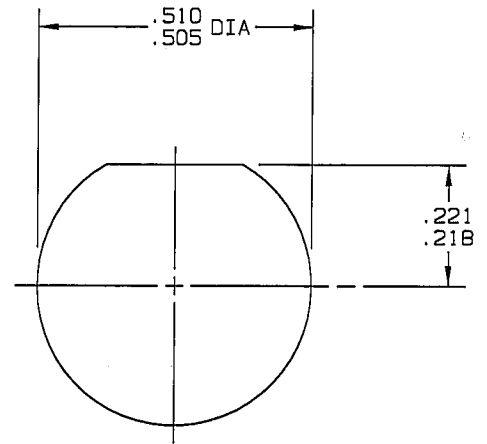


DASH NO	MODEL NO	LTR CODE	A DIM	B DIM	C DIM	D DIM	E DIM
-1	CBBJR79	—	.24	.565	.050	.090	.0625
-2	CBBJR79A	A	.34	.665	.058	.090	.070

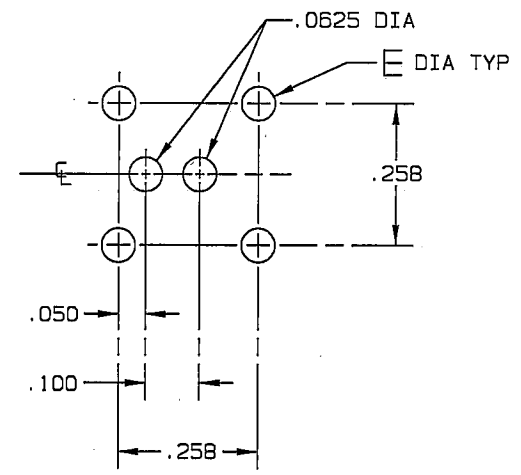
DATA CONTAINED IN THIS DOCUMENT IS PROPRIETARY TO TROMPETER ELECTRONICS INC. AND SHALL NOT BE DISCLOSED, COPIED OR USED FOR PROCUREMENT OR MANUFACTURE WITHOUT EXPRESS WRITTEN PERMISSION OF TROMPETER ELECTRONICS INC.

REVISIONS		3-0235	SH 1
REV	DESCRIPTION	DATE	APPROVED
G	REVISED PER ECD 15785	2-22-05	<i>[Signature]</i>

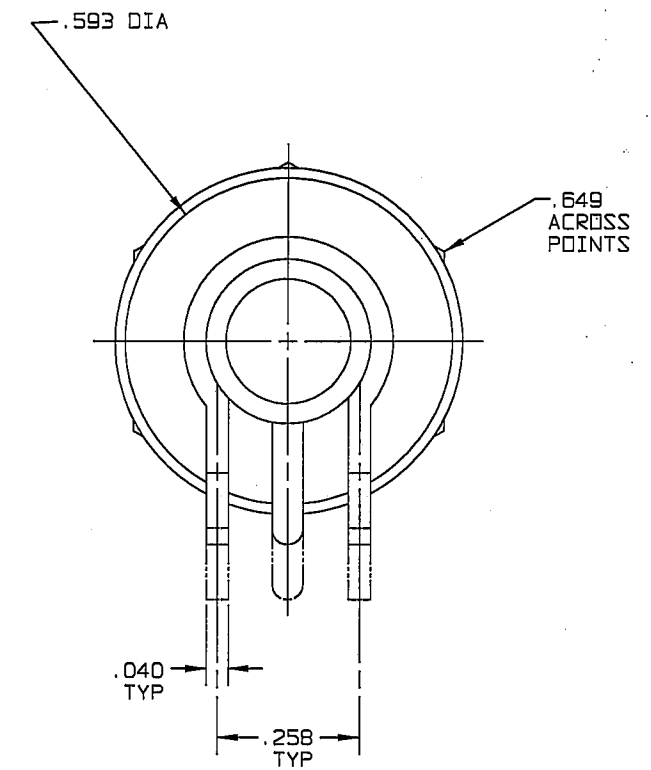
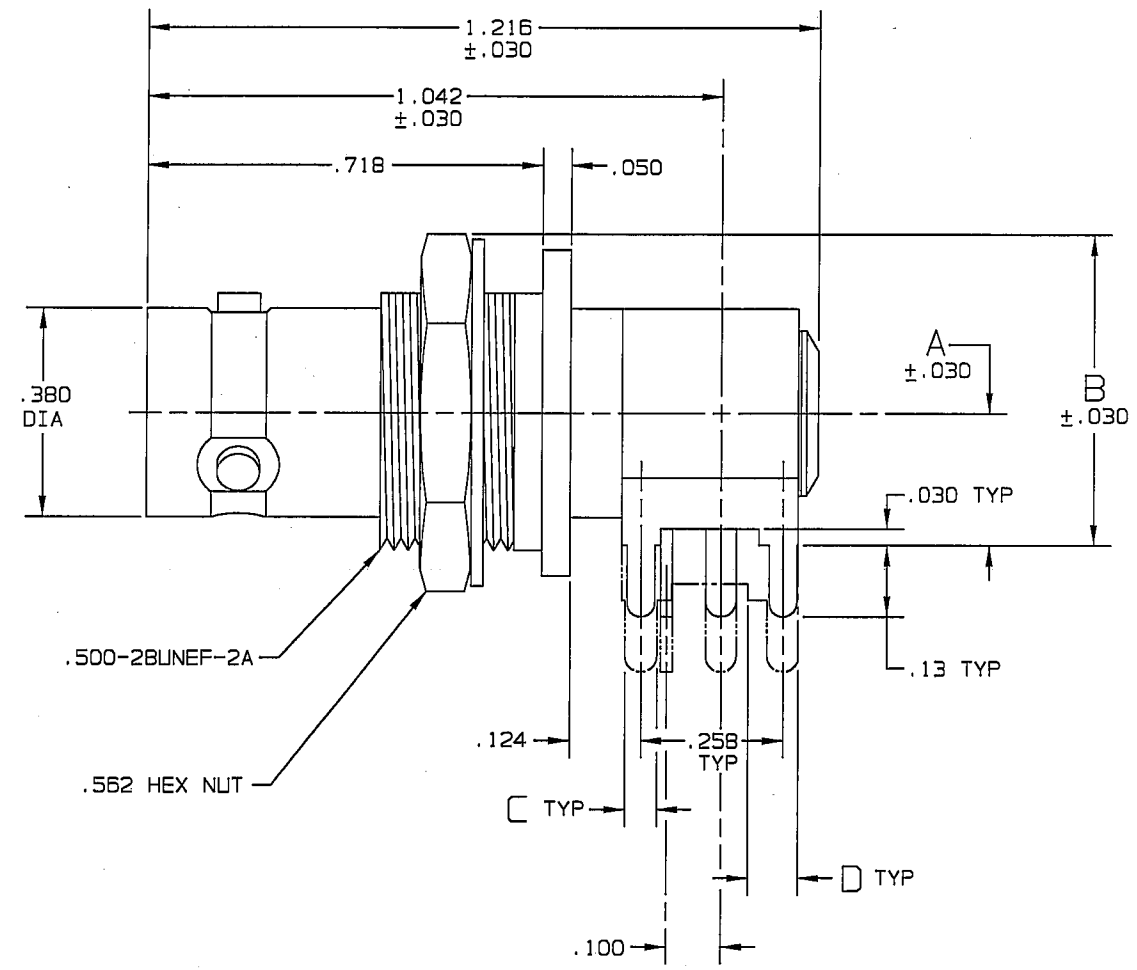
RED INDICATES ORIGINAL



RECOMMENDED PANEL CUTOUT



RECOMMENDED MTG HOLE PATTERN



- 6. MAX PNL THK .125
- 5 LTR CODE "A" SHOWN IN PHANTOM
- 4. EXAMPLE OF COMPLETE MODEL NO:
CBBJR79 A
— LTR CODE (SEE TABLE) 5
— BASIC MODEL NO (SEE TABLE)
- 3. FINISH: TFS-1A (NICKEL)
- 2. CONCENTRIC TWINAX/TRIAX RIGHT ANGLE CIRCUIT BOARD AND BULKHEAD MOUNT TRB SERIES RECEPTACLE
- 1. ALL DIM ARE IN INCHES

INTERPRET DRAWING PER MIL-STD-100 DIMENSIONS ARE IN INCHES AND INCLUDE FINISH THICKNESS UNLESS OTHERWISE SPECIFIED		TOL: UNLESS SPECIFIED .XX .XXX ±.005 .XXXX ±.0010 ANGLES	
DRAWN AAH	DATE 2-17-05	MATERIAL:	TITLE: CBBJR79/A
CHECKED MS	DATE 2-18-05	FINISH:	SIZE CAGE CODE DRAWING NO. REV. B 14949 3-0235 G
QUALITY MS	DATE 2/22/05	SCALE 4/1	DATE: 12-4-85
MANUF BP	DATE 2/22/05	DO NOT SCALE DWG	SHEET 1C
APPROVED MS	DATE 2/21/05		

TROMPETER
ELECTRONICS, INC.

NEXT ASSY	CAD FILE NO. 3-0235G	DO NOT SCALE DWG	SCALE 4/1	DATE: 12-4-85	SHEET 1C
-----------	-------------------------	------------------	--------------	------------------	-------------