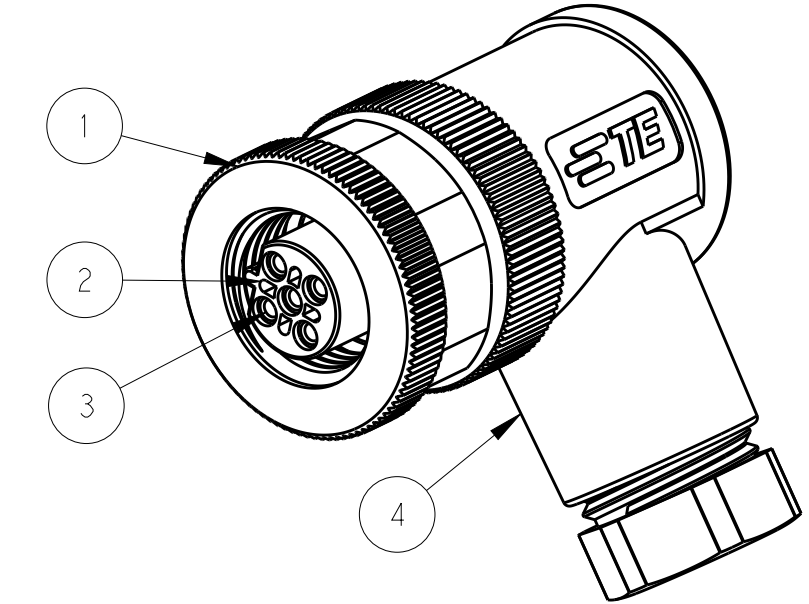
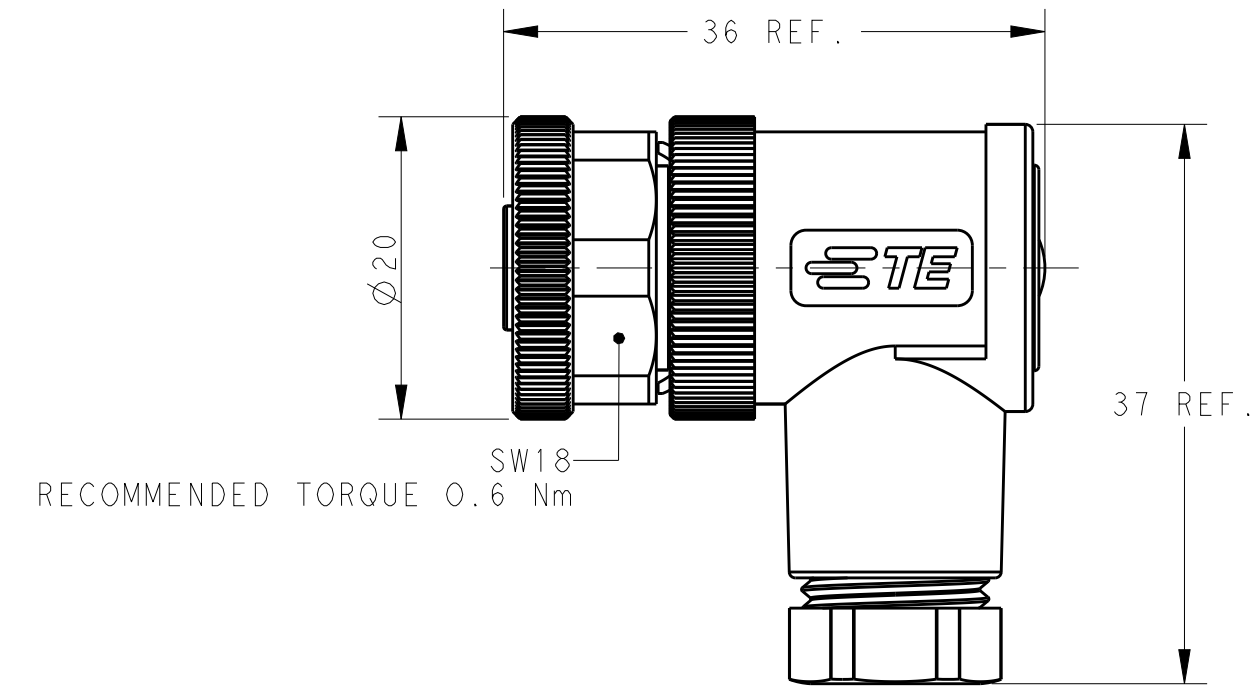
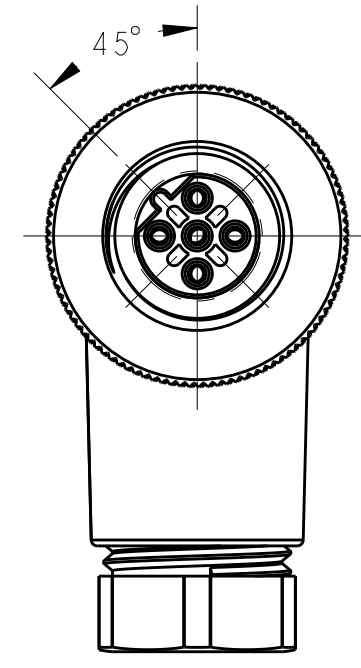


THIS DRAWING IS UNPUBLISHED. RELEASED FOR PUBLICATION 20
 © COPYRIGHT 20 BY - ALL RIGHTS RESERVED.

REVISIONS				
P	LTR	DESCRIPTION	DATE	APVD
A		INITIAL RELEASE	27JUL2015	NP XX
A1		ECR-15-018715 ADD 114 SPEC.	29DEC2015	NP XX



TECHNICAL DATA	T411240X02X-000	T411240X03X-000	T411240X04X-000	T411240X05X-000
RATED VOLTAGE	250V	250V	250V	60V
RATED CURRENT	4A	4A	4A	4A
POLLUTION DEGREE	3	3	3	3
OVERVOLTAGE CATEGORY	II	II	II	II
MATERIAL GROUP	II	II	II	II
CONTACT RESISTANCE	≤8mΩ	≤8mΩ	≤8mΩ	≤8mΩ
INSULATION RESISTANCE	>100MΩ	>100MΩ	>100MΩ	>100MΩ
DEGREE OF PROTECTION	IP67	IP67	IP67	IP67
OPERATION TEMPERATURE	-40~85°C	-40~85°C	-40~85°C	-40~85°C

- NOTE:
- MATERIAL:
 - ITEM NO.1:NUT -BRASS
 - ITEM NO.2:HOUSING -PA
 - ITEM NO.3:CONTACT -BRONZE
 - ITEM NO.4: HOUSING BODY: -PBT+GF
 - CONTACT FINISH: GOLD OVER NICKEL OR SILVER OVER NICKEL
 - CABLE WIRES: 18AWG/0.75mm² Max. FOR 2-5 PINS
 - ALLDIMENSIONS ARE FOR NOMINAL REFERENCE ONLY UNLESS OTHERWISE STATED
 - PACKAGEING: IPIECE IN A BAG
 - PN INFORMATION

PIN ARRANGEMENT B-CODE		
T411240X02X-000	T411240X03X-000	T411240X04X-000
T411240X05X-000		

T4112402051-000	RPC-M12B-FR-5CON-PG9-MU
T4112401051-000	RPC-M12B-FR-5CON-PG7-MU
T4112402052-000	RPC-M12B-FR-5CON-PG9-M
T4112401052-000	RPC-M12B-FR-5CON-PG7-M
T4112402041-000	RPC-M12B-FR-4CON-PG9-MU
T4112401041-000	RPC-M12B-FR-4CON-PG7-MU
T4112402042-000	RPC-M12B-FR-4CON-PG9-M
T4112401042-000	RPC-M12B-FR-4CON-PG7-M
T4112402031-000	RPC-M12B-FR-3CON-PG9-MU
T4112401031-000	RPC-M12B-FR-3CON-PG7-MU
T4112402032-000	RPC-M12B-FR-3CON-PG9-M
T4112401032-000	RPC-M12B-FR-3CON-PG7-M
T4112402021-000	RPC-M12B-FR-2CON-PG9-MU
T4112401021-000	RPC-M12B-FR-2CON-PG7-MU
T4112402022-000	RPC-M12B-FR-2CON-PG9-M
T4112401022-000	RPC-M12B-FR-2CON-PG7-M
TE PN	TYPE

T411240XXXX-000

CONTACT FINISH:
 1: GOLD OVER NICKEL
 2: SILVER OVER NICKEL

NUMBERS OF PINS:
 02: 2 PINS
 03: 3 PINS
 04: 4 PINS
 05: 5 PINS
 08: 8 PINS

CABLE OUTLET:
 1: PG7(CABLE FEED: 4-6mm)
 2: PG9(CABLE FEED: 6-8mm)

BRAND:
 T: W/ TE LOGO
 N: W/O LOGO

THIS DRAWING IS A CONTROLLED DOCUMENT.		DWN HAO WANG 08JAN2015	TE Connectivity	
		CHK KOBBY ZHAO 08JAN2015		
		APVD XIANG XU 08JAN2015	NAME M12 FEMALE, B CODE, RA UNSHIELDED CONNECTOR SCREW TERMINAL	
DIMENSIONS: mm		TOLERANCES UNLESS OTHERWISE SPECIFIED: 0 PLC ±0.2 1 PLC ±0.2 2 PLC ±0.2 3 PLC ± 4 PLC ± ANGLES ± FINISH -	PRODUCT SPEC 108-106140	SIZE A2
MATERIAL TBD		APPLICATION SPEC 114-137144	CAGE CODE -	DRAWING NO. C-T411240XXXX000
		WEIGHT -	RESTRICTED TO -	SCALE 2:1 SHEET 1 OF 1 REV A1
		CUSTOMER DRAWING		