

## Features

- Single-Turn Cermet / Open Frame
- Recommended for reflow processing
- Rotor design compatible with automatic adjustment equipment
- Supplied in 8 mm embossed tape, compatible with automatic assembly equipment
- 2 mm size meets EIA/EIAJ standard trimmer footprint
- RoHS compliant\* - see [processing information](#) on RoHS compliant surface mount trimmers
- For trimmer applications/processing guidelines, [click here](#)

# 3302 - 2 mm SMD Trimpot® Trimming Potentiometer

## Electrical Characteristics

Standard Resistance Range .....200 ohms to 1 megohm  
 (see standard resistance table)  
 Resistance Tolerance ..... ±25 % std.  
 Absolute Minimum Resistance  
 ≤1K..... 20 ohms max.  
 >1K..... 5 % max.  
 Contact Resistance Variation  
 ..... 5 % max.  
 Resolution ..... Infinite  
 Adjustment Angle ..... 260° ±20°

## Environmental Characteristics

Power Rating (50 VDC max.)  
 70 °C ..... 0.15 watt  
 Temperature Range ..... -40 °C to +85 °C  
 Temperature Coefficient ... ±250 ppm/°C  
 Humidity ..... 95 % RH  
 500 hours  
 TRS max. .... ±5 %  
 Load Life  
 .....@ 70 °C rated power 500 hours  
 TRS ±5 %  
 Rotational Cycling ..... 10 turns  
 TRS ±15 %

## Physical Characteristics

Torque..... 10-150 g-cm max.  
 Mechanical Angle ..... Continuous  
 Marking..... Part marking code  
 Standard Packaging.. 3000 pcs./7" reel  
 Adjustment Tool..... H-92-1

Aqueous cleaning not recommended.

## How To Order

**3302 X - 3 - 103 E**

Model \_\_\_\_\_

Style \_\_\_\_\_

Orientation of Parts In Tape:  
 Style W: Terminals Toward Sprocket Holes

Standard or Modified Product Indicator \_\_\_\_\_  
 -3 = Continuous Rotation

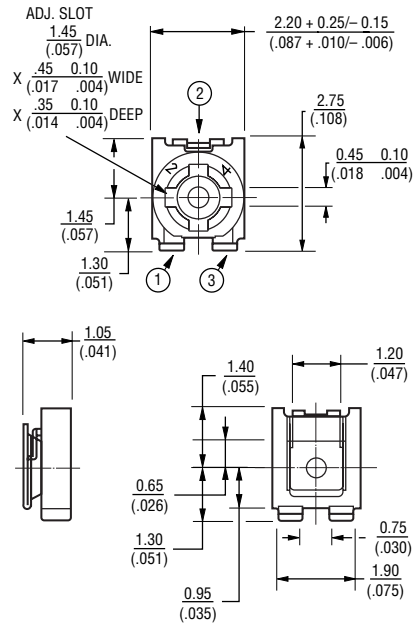
Resistance Code \_\_\_\_\_

Embossed Tape Designator \_\_\_\_\_

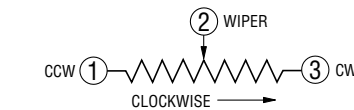
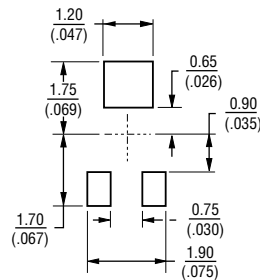
Consult factory for other available options.

## Product Dimensions

**3302W, X-3**  
**3 Terminals for Automatic Trimming Adjustment**  
**Low Profile**



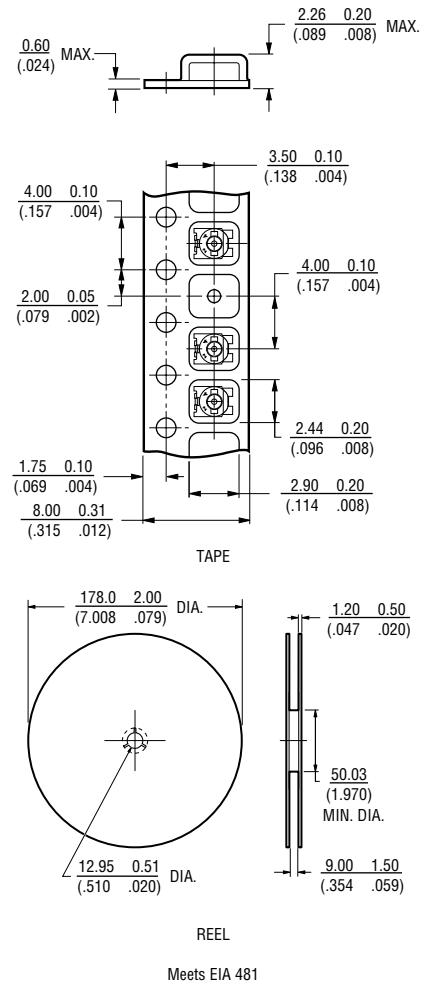
## SUGGESTED PWB LAYOUT



DIMENSIONS:  $\frac{\text{MM}}{\text{(INCHES)}}$

TOLERANCES: ±  $\frac{0.25}{(.010)}$  EXCEPT WHERE NOTED

## Packaging Specifications



## Standard Resistance Table

Resistance (Ohms)	Part Marking Code	Resistance Code
200	22	201
500	52	501
<b>1,000</b>	<b>13</b>	<b>102</b>
<b>2,000</b>	<b>23</b>	<b>202</b>
<b>5,000</b>	<b>53</b>	<b>502</b>
<b>10,000</b>	<b>14</b>	<b>103</b>
<b>20,000</b>	<b>24</b>	<b>203</b>
50,000	54	503
100,000	15	104
200,000	25	204
500,000	55	504
1,000,000	16	105

Popular distribution resistance values listed in boldface. Special resistances available.