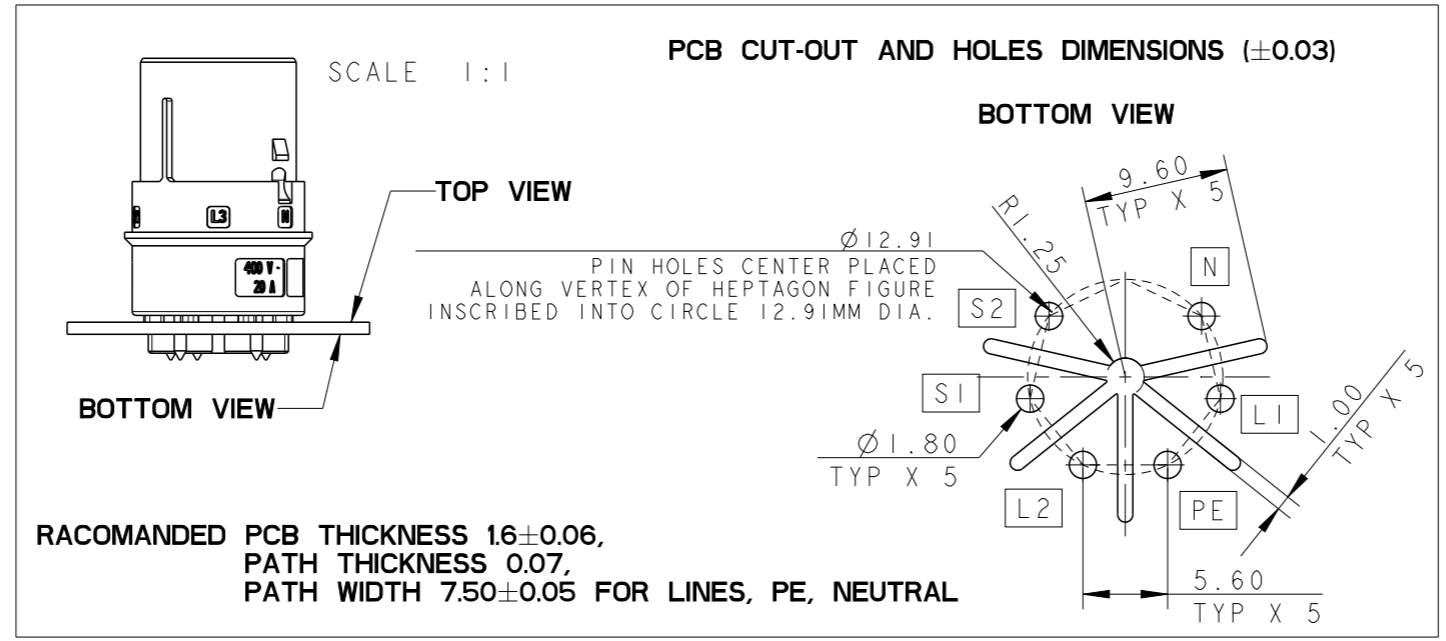
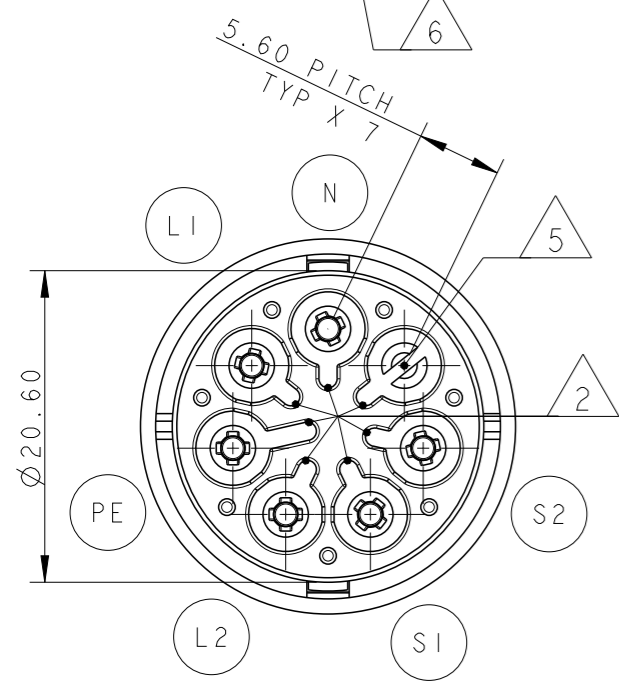
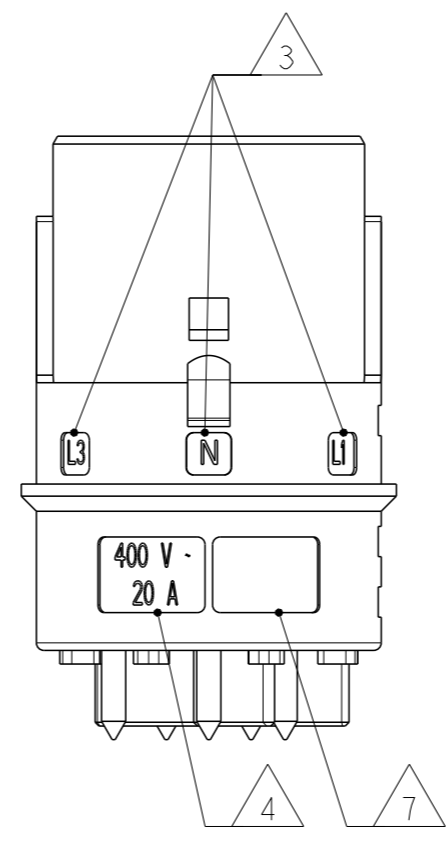
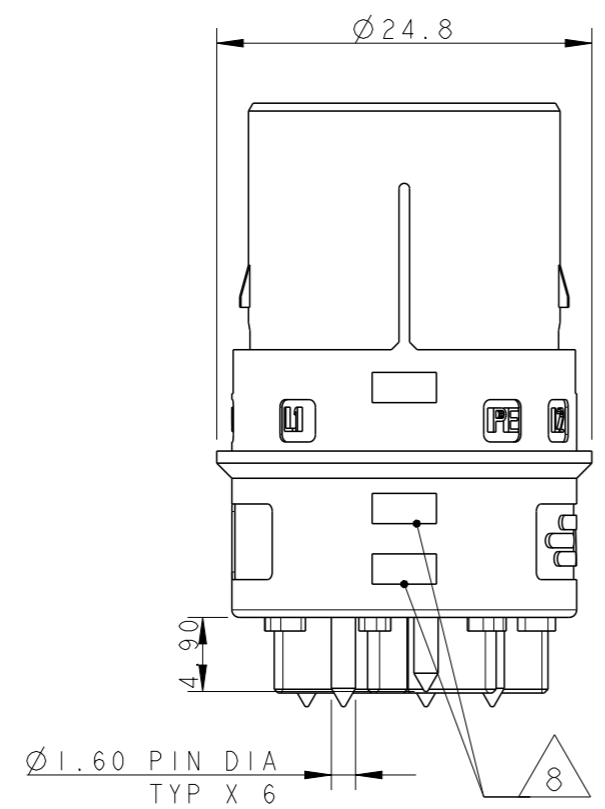
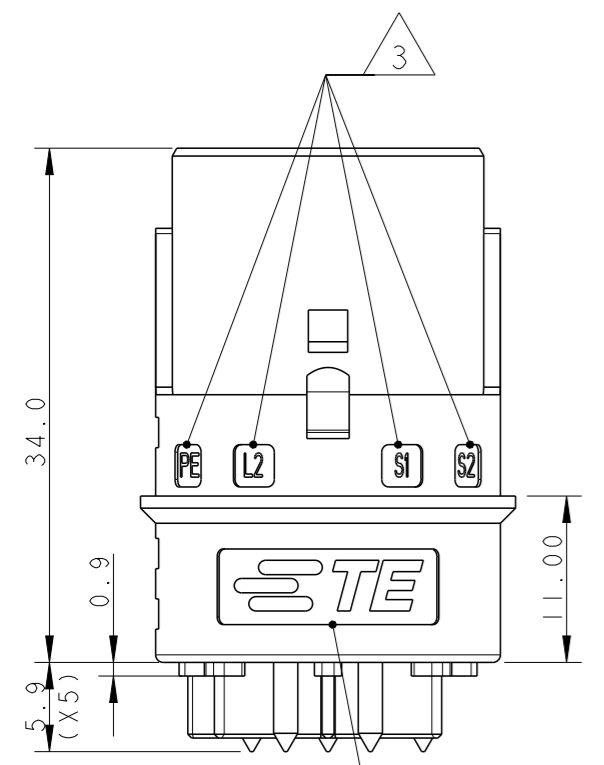


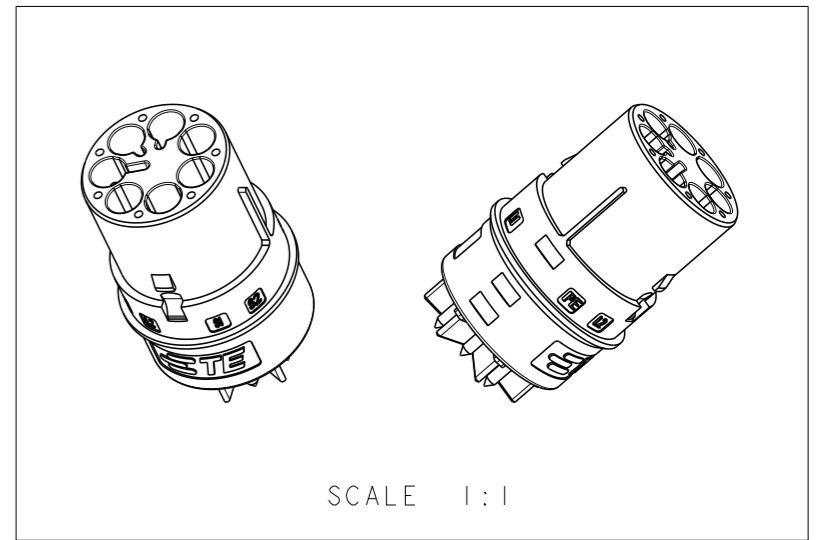
THIS DRAWING IS UNPUBLISHED. RELEASED FOR PUBLICATION 2011  
 © COPYRIGHT 2011 BY - ALL RIGHTS RESERVED.

LOC 1  
 DIST -

REVISIONS					
P	LTR	DESCRIPTION	DATE	DWN	APVD
5		UPDATED	23JUL2013	MZ	JC
A		PARTS RELEASED FOR PRODUCTION	14NOV2013	KR	JC



- NOTES:
- 1 MATERIAL: PA GF (NATURAL)  
 - HOUSING: PA GF  
 - CONTACTS: BRASS TIN PLATED
  - 2 ALL POLARIZATION KEYS SHOWN FOR REF ONLY
  - 3 WAYS I.D.
  - 4 VOLTAGE AND CURRENT RATINGS
  - 5 RIB CLOSING CAVITY BY CHANGE OVER
  - 6 TE LOGO
  - 7 AREA FOR AGENCIES APPROVAL LOGO
  - 8 VISUAL INDICATOR FOR PE CONDUCTOR

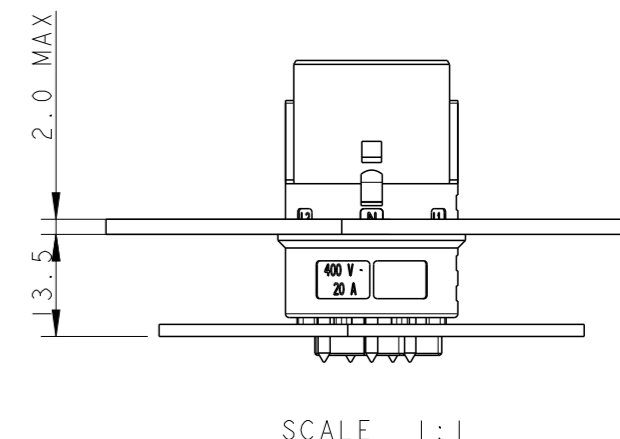


THIS DRAWING IS A CONTROLLED DOCUMENT.		DWN A. BERNARDI 31MAR2011	TE Connectivity		
DIMENSIONS: mm		CHK M. ZUCCA 31MAR2011			
TOLERANCES UNLESS OTHERWISE SPECIFIED:		APVD G. TURCO 31MAR2011	PRODUCT SPEC -		RESTRICTED TO -
0 PLC ±- 1 PLC ±0.3 2 PLC ±0.20 3 PLC ±- 4 PLC ±- ANGLES ±3°		APPLICATION SPEC -	SIZE A300779		DRAWING NO C-293672
MATERIAL -		FINISH -	WEIGHT -	SCALE 2:1	
Customer Drawing			SHEET 1 OF 2		REV A

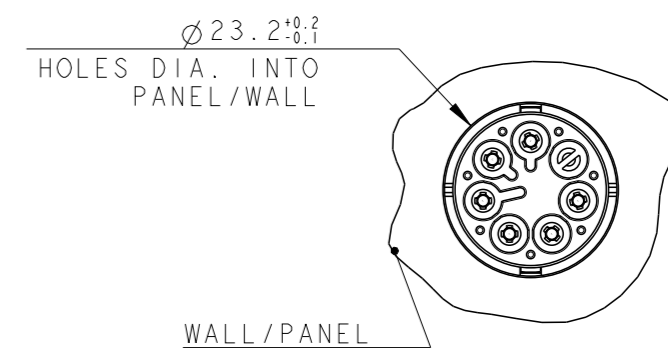
LOC	DIST	REVISIONS					
		P	LTR	DESCRIPTION	DATE	DWN	APVD
1	-	-	-	SEE SHEET 1	-	-	-

### POLARIZATION TYPES

POLARIZATION TYPE "C"	POLARIZATION TYPE "D"	POLARIZATION TYPE "E"
PNs 0-293672-3	PNs 0-293672-4	PNs 0-293672-5



SCALE 1:1



	E	NATURAL	PIN PCB CONN 6 POLES NECTOR* M-LINE	A	0-293672-5
	D	NATURAL	PIN PCB CONN 6 POLES NECTOR* M-LINE	A	0-293672-4
	C	NATURAL	PIN PCB CONN 6 POLES NECTOR* M-LINE	A	0-293672-3
NOTE	POL. KEYING	COLOUR	DESCRIPTION	REV.	P/N

THIS DRAWING IS A CONTROLLED DOCUMENT.		DWN A. BERNARDI 31MAR2011	TE Connectivity														
DIMENSIONS: mm		CHK M. ZUCCA 31MAR2011				NAME PCB PIN CONNECTOR 6 POLES M-LINE NECTOR											
TOLERANCES UNLESS OTHERWISE SPECIFIED:		APVD G. TURCO 31MAR2011	PRODUCT SPEC														
<table border="0"> <tr><td>0 PLC</td><td>±-</td></tr> <tr><td>1 PLC</td><td>±0.3</td></tr> <tr><td>2 PLC</td><td>±0.20</td></tr> <tr><td>3 PLC</td><td>±-</td></tr> <tr><td>4 PLC</td><td>±-</td></tr> <tr><td>ANGLES</td><td>±3°</td></tr> </table>		0 PLC	±-	1 PLC	±0.3	2 PLC	±0.20	3 PLC	±-	4 PLC	±-	ANGLES	±3°	APPLICATION SPEC		RESTRICTED TO	
0 PLC	±-																
1 PLC	±0.3																
2 PLC	±0.20																
3 PLC	±-																
4 PLC	±-																
ANGLES	±3°																
MATERIAL -		WEIGHT -		SIZE A300779	DRAWING NO C-293672												
Customer Drawing			SCALE 2:1	SHEET 2 OF 2	REV A												