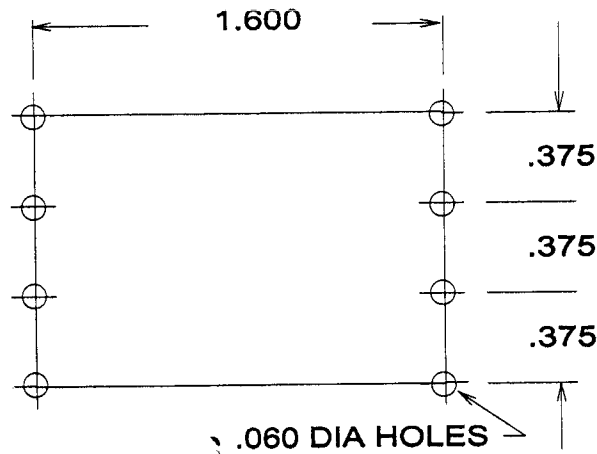
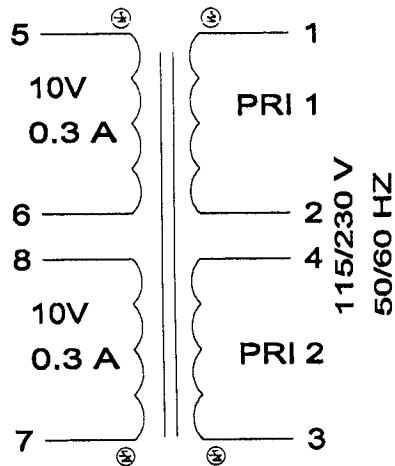
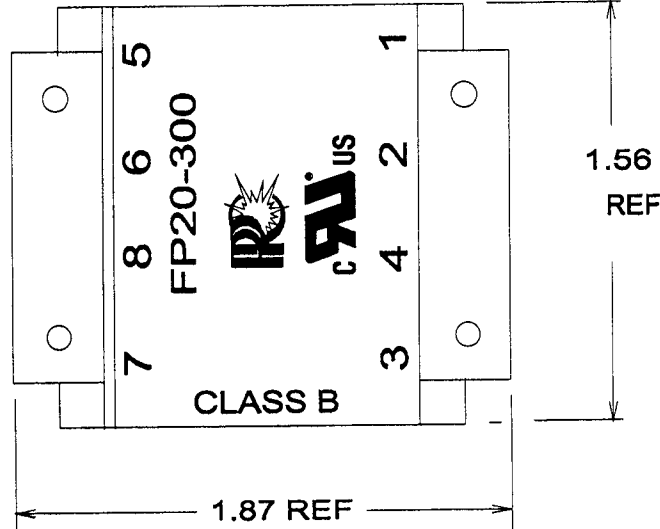
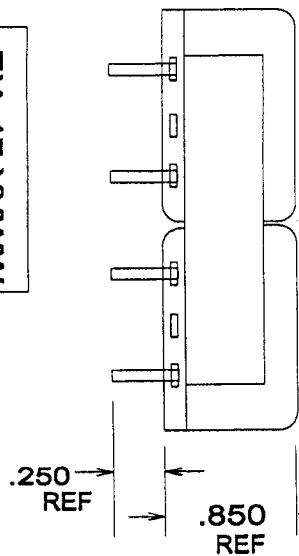


TOLERANCE UNLESS SPECIFIED = .XXX = +/- .005 .XX = +/- .015 FRACTIONS = +/- .032

FP20-300.DC2

EIA-17-YYWW
XXX B10



PRODUCTION TESTS

TURNS RATIO = 100%	
DC RESISTANCE IN OHMS NOM	1-2 = 3-4 = 360 TO 440
	5-6 = 7-8 = 5.4 TO 6.6

MAX EXCITATION CURRENT = .014 A
 APPLY = 230V, 60 HZ, 1-4, TIE 2+3
 1-2 = 3-4 = 115V
 EACH SEC: 13.6 TO 14.2 V

HIPOT = 2000V PRI'S TO SEC'S
 1500V PRI'S, SEC'S TO CORE
 500V P-P, S-S.

IMPREGNATION NOTES = PREHEAT 2 HRS
 PINS TO BE FREE OF EPOXY

FINAL ASSEMBLY NOTES

METHOD 1 X 1

MARKING PRINTED WRAPPER
 DATE CODE ON LABEL AS SHOWN ABOVE.



PART NO.: FP20-300