

SMD INDUCTOR DR331-3 SERIES

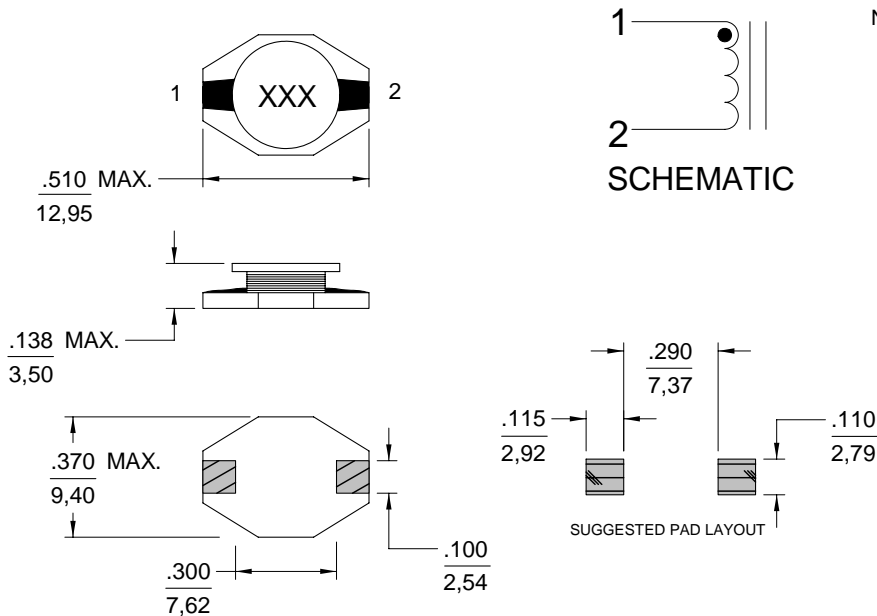
Features

- Low Profile Surface Mount Design
- Inductance Range from 10 μ H to 1000 μ H
- Operating Temp. -40°C to +85°C
- Tinned Leads with Leaded Solder is Available (note 6)

ELECTRICAL SPECIFICATIONS AT 25°C

Part No.	Inductance (μ H) $\pm 20\%$	DCR (Ω) Max.	I rms (A) Max. (Note 3)	I sat (A) Max. (Note 2)	SRF (MHz) REF.
DR331-3-103	10	0.11	2.0	2.4	35
DR331-3-153	15	0.15	1.5	2.0	33
DR331-3-223	22	0.23	1.3	1.6	25
DR331-3-333	33	0.30	1.1	1.4	19
DR331-3-473	47	0.39	0.8	1.0	14
DR331-3-683	68	0.66	0.7	0.9	12
DR331-3-104	100	0.84	0.6	0.7	10
DR331-3-154	150	1.20	0.5	0.6	8.0
DR331-3-224	220	1.90	0.4	0.5	6.0
DR331-3-334	330	2.70	0.3	0.4	5.0
DR331-3-474	470	4.00	0.2	0.3	4.0
DR331-3-684	680	5.30	0.1	0.2	3.0
DR331-3-105	1000	8.40	0.05	0.1	2.5

MECHANICAL SPECIFICATIONS



NOTES:

1. Dimensions are shown in inches/millimeters
Unless otherwise specified, tolerance
= Inches: ± 0.010
= Millimeters: $\pm 0,25$
2. Isat based on the inductance being 90% of
its initial value
3. Irms based on temperature rise of 40°C
4. Tape & Reel Packaging, 1000 pcs / reel.
5. Inductance tested at 0.1 Vrms @ 100 kHz
6. For non-RoHS parts replace DR prefix with
42- (e.g. DR331-3 becomes 42-331-3)
7. Terminal finish is compliant to RoHS
requirements. Solder in accordance with J-
STD-020C.