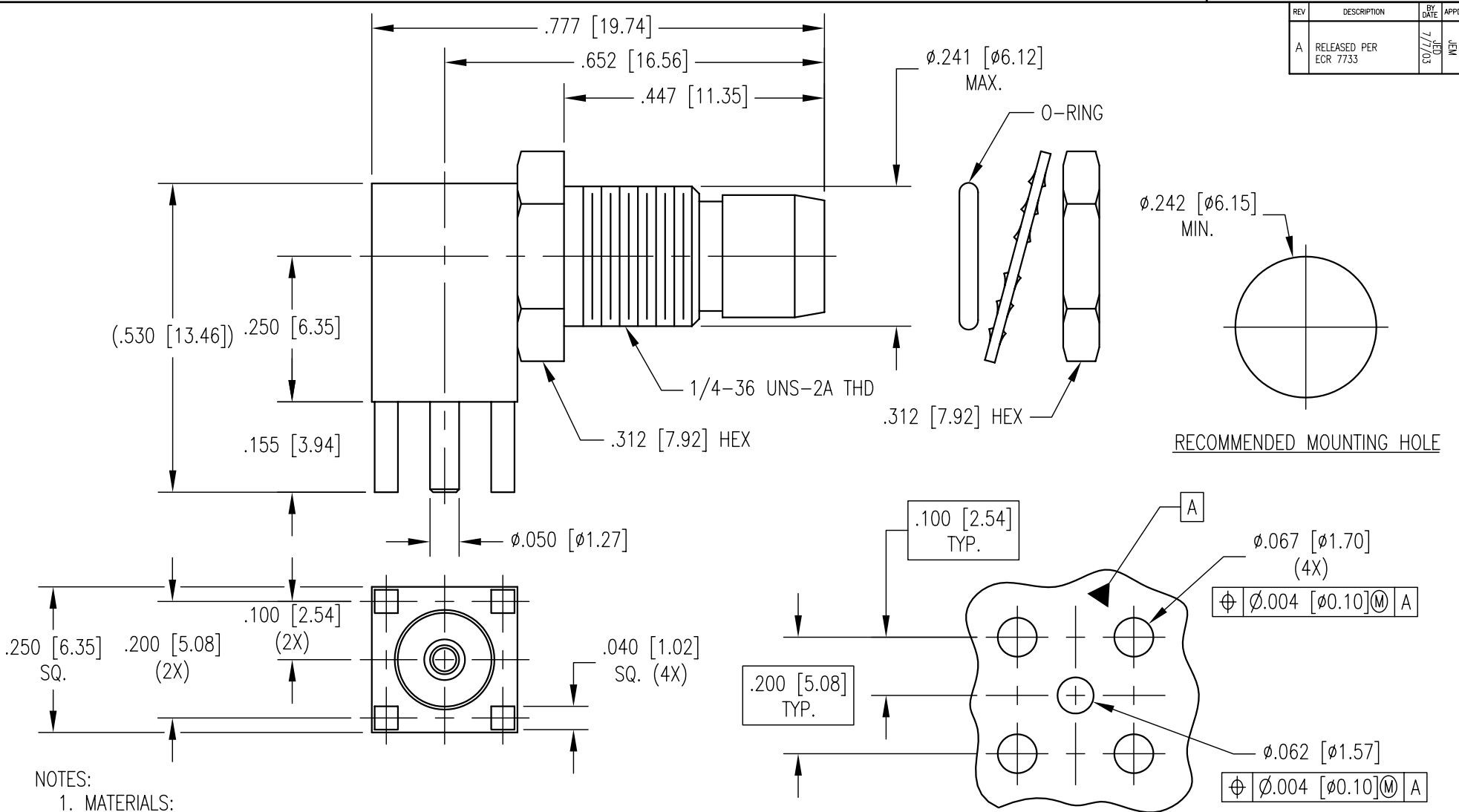


REV	DESCRIPTION	BY	DATE	APPD
A	RELEASED PER ECR 7733	JWH	7/7/02	JEM



- NOTES:
- MATERIALS:  
 LOCKWASHER: PHOSPHOR BRONZE PER ASTM B103  
 ALL OTHER METAL PARTS: BRASS PER ASTM B16  
 INSULATOR: TEFLON PER ASTM D1710  
 O-RING: SILICONE RUBBER PER ZZ-R-765
  - FINISH:  
 BODY: .000015 MIN. GOLD PER MIL-G-45204 OVER  
 .000050 MIN. NICKEL PER QQ-N-290  
 CENTER CONTACT: .000030 MIN. GOLD PER MIL-G-45204 OVER  
 .000050 MIN. NICKEL PER QQ-N-290  
 ALL OTHER METAL PARTS: .000005 MIN. GOLD PER MIL-G-45204 OVER  
 .000050 MIN. NICKEL PER QQ-N-290

RECOMMENDED PCB LAYOUT

PER ASME Y14.5M-1994 UNLESS OTHERWISE SPECIFIED: DIMENSIONS ARE IN INCHES [MM] TOLERANCES: DECIMALS .XX ± .01 [0.254] .XXX ± .005 [0.127] ANGLES ± 2° SCALE: 4:1		<b>NORTHROP GRUMMAN</b> Winchester Electronics 62 Barnes Industrial Road North Wallingford, CT 06492	
<b>CUSTOMER DRAWING</b>		TITLE BMA RIGHT ANGLE PCB MOUNT BULKHEAD PLUG	
DRAWN JED	DATE 6/25/02	CHECKED JWH	DATE 9/4/02
APPROVED JEM	DATE 9/4/02	APPROVED MC	DATE 9/5/02
A		SD362-074-6040H	SHT. 1 OF 1 REV. A