

# T1/CEPT/ISDN PRI Interface Transformer

Turns Ratio ( ± 5% )	1CT:1CT (T1) & 1CT:2CT (T2)
----------------------	-----------------------------

Flammability: Materials used in the production of these units meet requirements of UL94-VO and IEC 695-2-2 needle flame test.

PARAMETER	MIN.	MAX.	UNITS
OCL (Primary)	1.2		mH
Leakage Inductance		0.6	μH
Capacitance (C <sub>ww</sub> )		30	pF
Primary DC Resistance		0.7	Ohms
Secondary DC Resistance		0.7 & 1.0	Ohms
ET Product	10		VμS
Operating Temp Range	-40	+85	°C

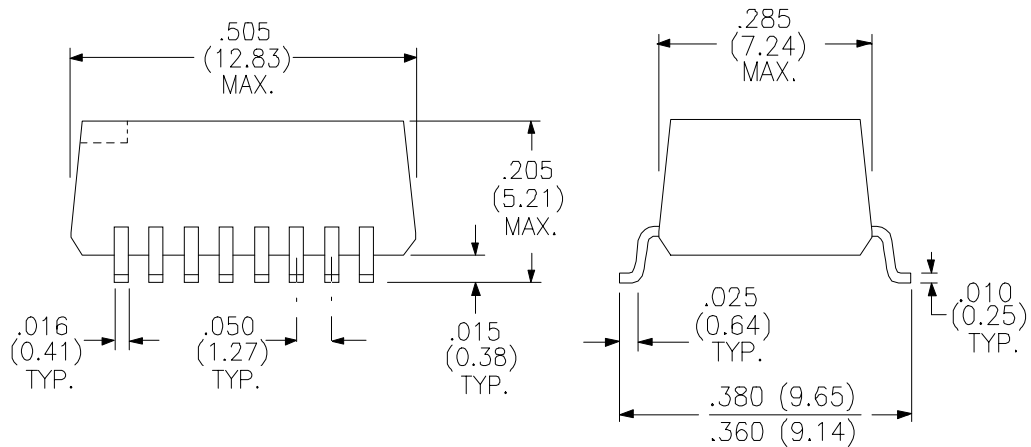
Parts shipped in anti-static tubes. 33 pieces per tube

*Tape & Reel Available*

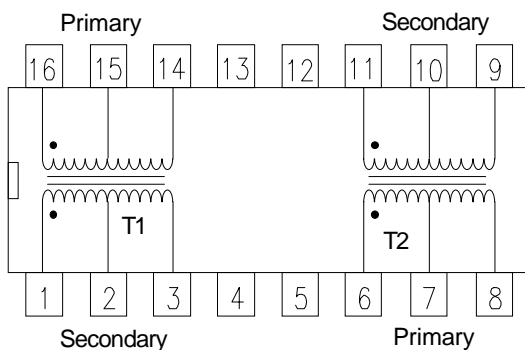
Primary Pins 14-16 & 6-8

Isolation 1500 V<sub>RMS</sub> Min.

## PHYSICAL DIMENSIONS inches (mm)



## Schematic Diagram



Rhombus P/N:	<b>T-14169</b>	
Cust. P/N:		Name:
Date:	<b>5/21/98</b>	Sheet: 1 of 1