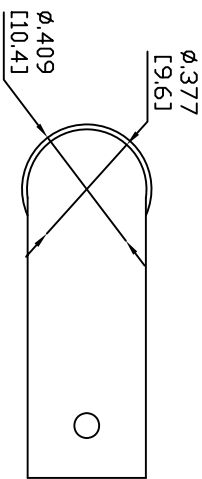
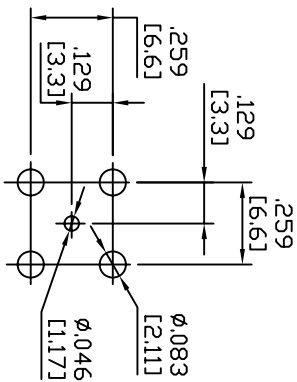
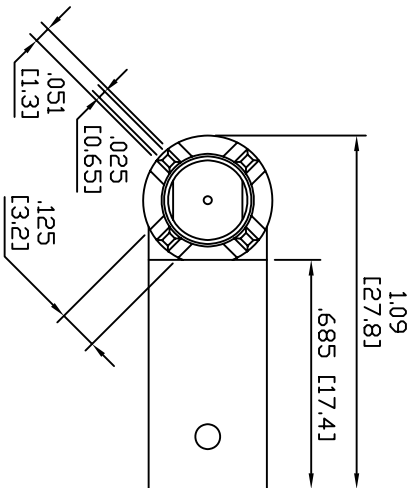
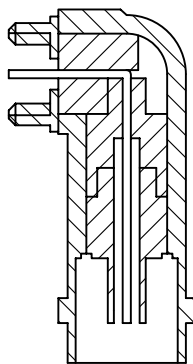
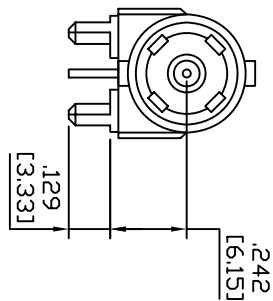
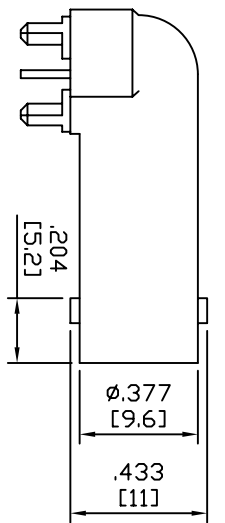


| Rev | AWO # | Description | Date    | Appr |
|-----|-------|-------------|---------|------|
| -   |       | RELEASED    | 4/18/06 |      |

APPROVED: \_\_\_\_\_  
 DATE: \_\_\_\_\_ TITLE: \_\_\_\_\_



RECOMMENDED P.C.B. LAYOUT

**SPECIFICATIONS:**

**Material:**

Body: Zinc, Nickel over underplate

Insulator: Delrin

Insulator color: White

Contacts: Phosphor Bronze, Gold flash over underplate

**Electrical:**

Operating voltage: 500 VAC max

Frequency range: 0-4

Impedance: 75 ohm

VSWR: 1.2 max 0-2GHz

Contact resistance: 3mohms max at DC 1A

Insulation resistance: 1,000 Mohms min at DC 500V

Dielectric withstanding voltage: 1,500 VAC for 1 minute

**Environmental:**

Lead free, RoHS compliant.

Recommended soldering temp: 235°C for 5 sec.



UNLESS OTHERWISE SPECIFIED  
 ALL DIMENSIONS ARE MM [INCHES]  
 TOLERANCES: EXCEPT AS NOTED  
 INCHES HOLES DATE

|      |        |       |        |
|------|--------|-------|--------|
| .X   | ± .10  | ØXX   | ± .10  |
| .XX  | ± .020 | ØXXX  | ± .015 |
| .XXX | ± .015 | ØXXXX | ± .010 |

**ADAM TECH**

909 Railway Avenue, Union, NJ 07083  
 Phone: 908-687-5000 Fax: 908-687-5710

BNC CONNECTOR MOUNT 75 OHM

|          |     |         |
|----------|-----|---------|
| DRAWN    | LFJ | 4/18/06 |
| CHECKED  |     |         |
| APPROVED |     |         |

|      |                |              |
|------|----------------|--------------|
| SIZE | PART NO.       | REV.         |
| X    | RF1-15-D-00-75 | -            |
| REF: | SCALE: NTS     | SHEET 1 OF 1 |