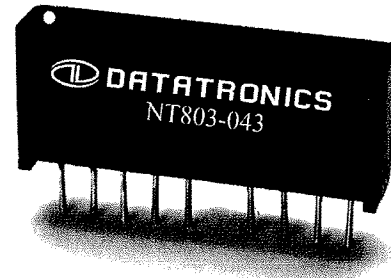
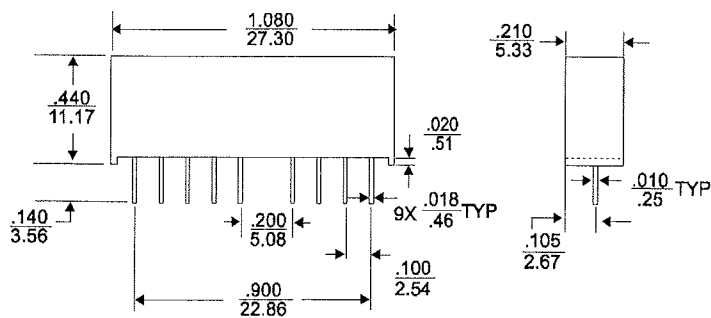


NT803-043 100VG-AnyLAN Filter Module
Features

- Designed for 100MB/s transmission over UTP category 3 cable
- Designed to meet IEEE 802.12 (100VG-AnyLAN) Specification
- 2000Vrms isolation
- Compact SIL package
- Low common mode emissions
- Supports AT&T ATT2X01™ and most 100VG-AnyLAN transceiver chips


Electrical Specifications @25°C

Insertion loss (dB Max)	Attenuation (dB Min)				Return loss (dB Min)	Common Mode Rejection Ratio (dB Min)	Crosstalk (dB Min)		Isolation (Vrms)
	20MHz	30MHz	40MHz	50MHz			1 - 15MHz	15 - 30MHz	
1 - 15MHz	20MHz	30MHz	40MHz	50MHz	1 - 15MHz	1 - 30MHz	1 - 15MHz	15 - 30MHz	2000
1.5	5	17	28	38	18	30	30	20	

Mechanical Outline


Note: 1. All dimensions are specified in $\frac{\text{Inches}}{\text{mm}}$
 2. Unless other specified, all tolerance are $\pm \frac{.010}{.254}$

Schematic
