

PART NAME: KNOB SCALE: 1:1 DATE: 5/28/71 DR. BY NH

THIS DRAWING IS THE PROPERTY OF DAVIES MOLDING COMPANY, IS SUBMITTED SOLELY AS A DESIGN OR ENGINEERING PROJECT. WE ACCEPT NO RESPONSIBILITY WHATSOEVER FOR THE PRACTICAL APPLICATION OF THE PIECES MADE TO THIS DESIGN.



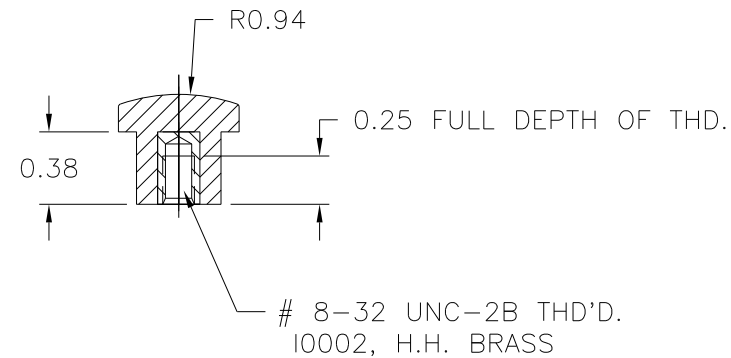
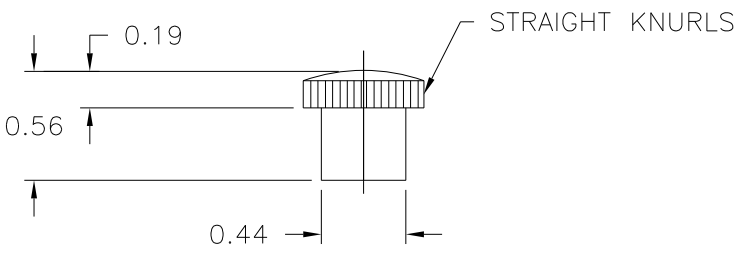
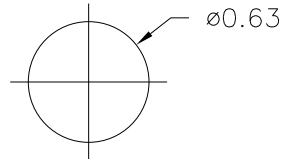
DESIGNERS & MANUFACTURERS OF KNOBS, HANDLES, CASES & CUSTOM PLASTIC COMPONENTS

P/N 2720-Q

M NO. 2720

CAD/REDRAWN : 6/4/93 ; HD

CAVITY	2720
PLUNGER	2720
PINS	2720-1+3
PIN PLT	2720-A
INSERT	10002



MATERIAL: G.P. PHENOLIC (B11)
COLOR: BLACK

TOLERANCES: UNLESS OTHERWISE SPECIFIED	DO NOT SCALE DRAWING			
DECIMALS: X.XXX ± .005 X.XX ± .015	MM: X.XX ± 0.15MM X.X ± 0.4MM	-	ALL DIM. CHNGED TO DECIML.	HD 5/17/04
FRACTIONS ± 1/64	ANG. ± 1°	CHANGES		