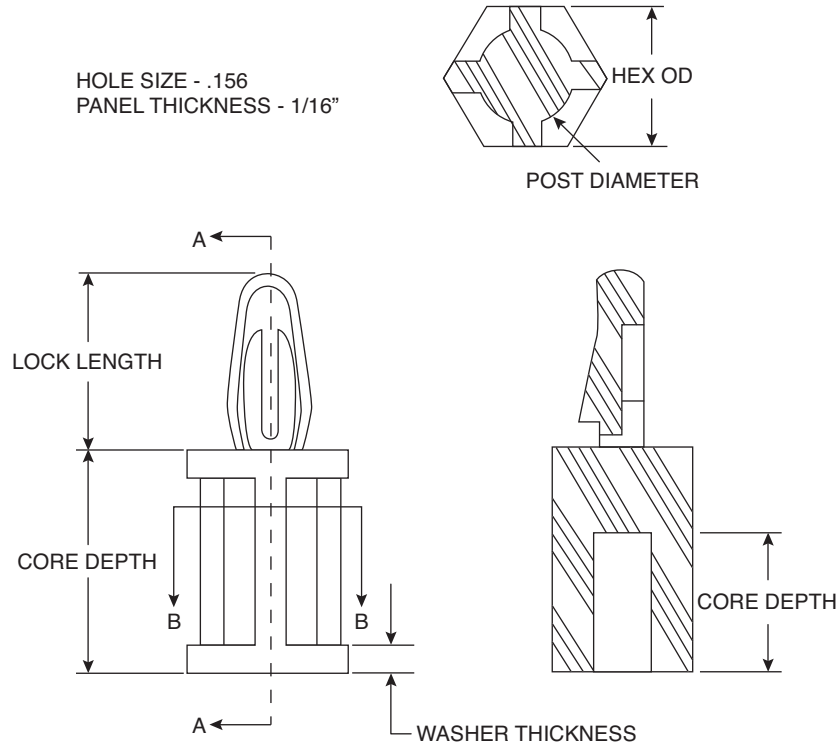




# Female Circuit Board Posts - Self Threading

561-FSTP250, 561-FSTP375, 561-FSTP500,  
561-FSTP625, 561-FSTP750, 561-FSTP875,  
561-FSTP1000

Date Last Revised: 5-12-09



NOTE: Self Threading Posts are designed for use with a #6 self-tapping screw.

RoHS Compliant

## Specifications

Head Dia. A	Description	Hex OD	Washer Thickness	Lock Length	Post Diameter	Core Depth	Hole Size	Panel Thickness	Body Length
561-FSTP250	FSTP 250	.312 (+/- .015)	.062 (+/- .015)	.400*(ref.)	.218(+/- .015)	.312	.156	.062	.250(+/- .015)
561-FSTP375	FSTP 375	.312 (+/- .015)	.062 (+/- .015)	.400*(ref.)	.218(+/- .015)	.312	.156	.620	.375(+/- .015)
561-FSTP500	FSTP 500	.312 (+/- .015)	.062 (+/- .015)	.400*(ref.)	.218(+/- .015)	.312	.156	.062	.500(+/- .015)
561-FSTP625	FSTP 625	.312 (+/- .015)	.062 (+/- .015)	.400*(ref.)	.218(+/- .015)	.312	.156	.062	.625(+/- .015)
561-FSTP750	FSTP 750	.312 (+/- .015)	.062 (+/- .015)	.400*(ref.)	.218(+/- .015)	.312	.156	.062	.750(+/- .015)
561-FSTP875	FSTP 875	.312 (+/- .015)	.062 (+/- .015)	.400*(ref.)	.218(+/- .015)	.312	.156	.062	.875(+/- .015)
561-FSTP1000	FSTP 1000	.312 (+/- .015)	.062 (+/- .015)	.400*(ref.)	.218(+/- .015)	.312	.156	.062	1.000(+/- .015)

## Description

- Material - molded in natural nylon 6/6

Available from Mouser Electronics  
1-800-346-6873 / [www.mouser.com](http://www.mouser.com)

EPD-200795

# Mouser Electronics

Authorized Distributor

Click to View Pricing, Inventory, Delivery & Lifecycle Information:

## Eagle Plastic Devices:

[561-FSTP875](#) [561-FSTP1000](#) [561-FSTP750](#) [561-FSTP375](#) [561-FSTP625](#) [561-FSTP500](#) [561-FSTP250](#)