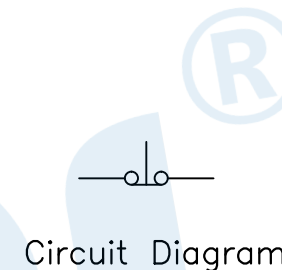
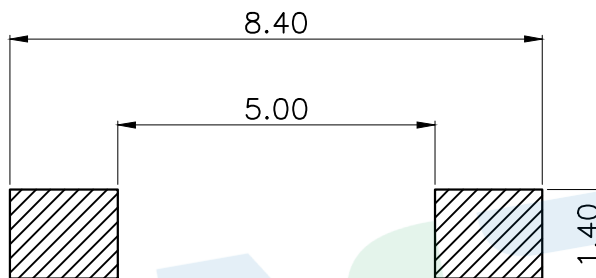
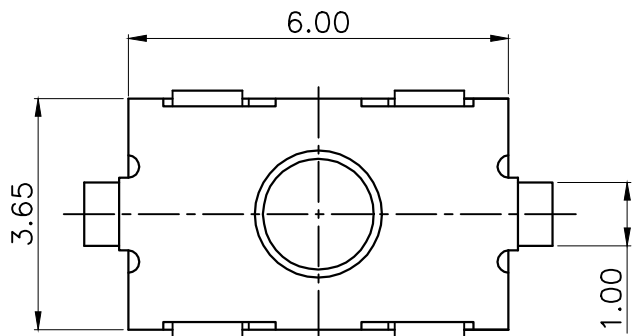
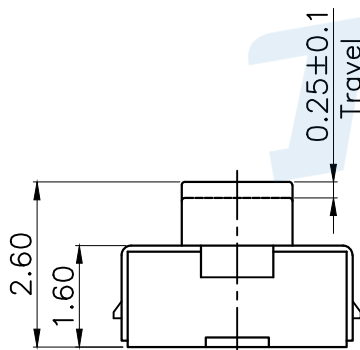
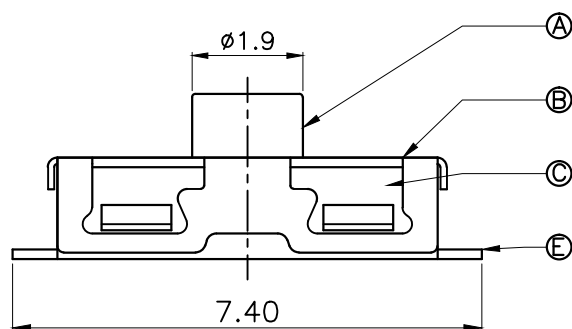


RoHS



PCB Layout (Pattern Side)

Circuit Diagram



SHRAPNEL	
CODE	MATERIAL/QTY
D2	SUS/1PCS
D4	SUS/2PCS

OPERATING FORCE	
CODE	VIGOR
B2	180±30gf
B3	250±30gf

NO.	Name	Number	Qty	Materil	Remarks
⑤	Terminal		2	Phosphor Bronze	Silvering
④	Contact		2	SUS	Silver covered
③	Base		1	LCP	Black
②	Cover		1	SUS	Natural
①	Knob		1	Silica gel	Blue

YUANDI® Yuandi Electronics Co, Ltd

design	date	name
Review	date	TACT SWITCHS
Approved	date	name TS-1089A-B□D□

Drawing number: A4

modify Review Approved Tolerance not specified

Proportion 1:1 unit mm gage number