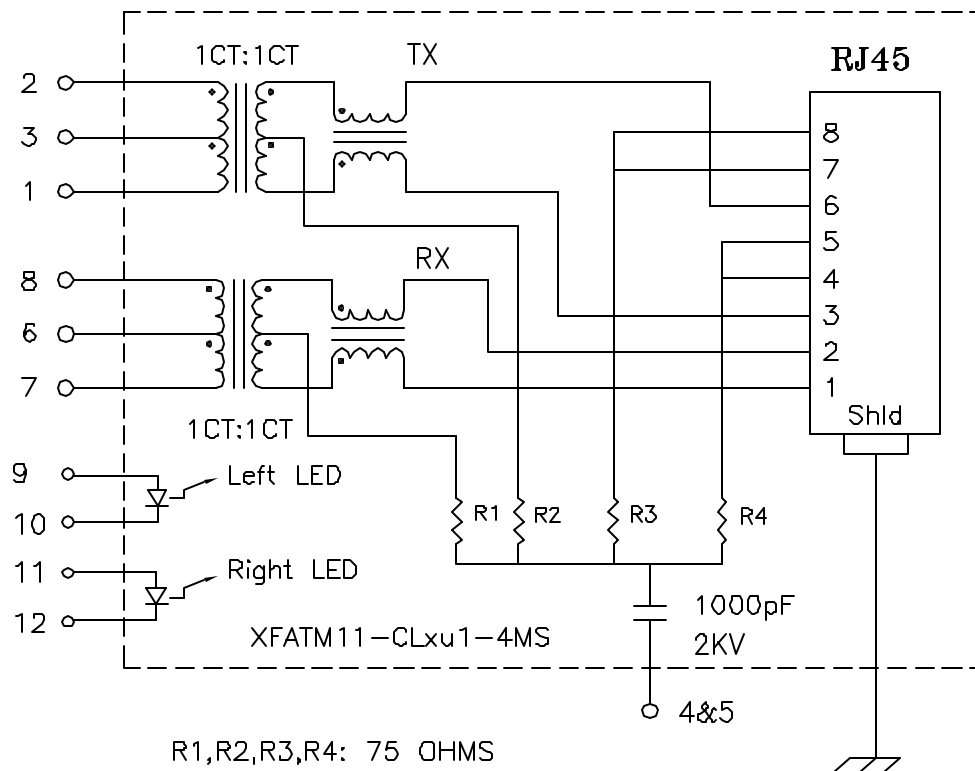


Schematic:



Electrical Specifications: @25°C

- Isolation Voltage: 1500 Vrms (Input to Output)
- Isolation Voltage: 500 Vrms (P1+2+3 to P6+7+8)
- Turns Ratio: TX 1CT:1CT $\pm 3\%$ RX 1CT:1CT $\pm 3\%$
- CABLE SIDE OCL: 350uH Minimum @100KHz 100mV 8mADC
- Cw/w: 25pF Max @100KHz 100mV
- Leakage L (Line side): 0.3uH Max (Short Chip side)
- DC Res. (Line Side): 1.2 Ohms Max each
- Insertion Loss (300KHz-100MHz): -1.1dB Typical
- Return Loss: @30MHz -18dB Minimum
- Return Loss: @80MHz -12dB Minimum

Notes:

1. Solderability: Leads shall meet MIL-STD-202G, Method 208H for solderability.
2. Flammability: UL94V-0
3. ASTM oxygen index: > 28%
4. Insulation System: Class F 155°C. UL file E151556
5. Operating Temperature Range: All listed parameters are to be within tolerance from -40°C to +85°C
6. Storage Temperature Range: -55°C to +125°C
7. Aqueous wash compatible
8. Electrical and mechanical specifications 100% tested
9. RoHS Compliant Component

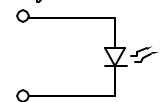
Complete the Combo P/N as follows:

Replace 'x' & 'u' in the part number with one of the LED color letters:

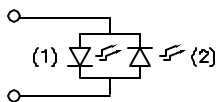
Y=Yellow
G=Green
A=Amber
R=Red
N=Yellow(1)/Green(2) Bicolor
M=Green(1)/Yellow(2) Bicolor

'x' = Left LED Color
'u' = Right LED Color

Single Color LED:



Bi-Color LED:



DOC. REV: A/3

XFMRs Inc.
www.XFMRS.com

Title: **SINGLE PORTS COMBO**

UNLESS OTHERWISE SPECIFIED
TOLERANCES:
.xxx ± 0.010

P/N: XFATM11-CLxu1-4MS REV. A

DWN. Juan Mao Nov-14-05

Dimensions in Inch

CHK. YK Liao Nov-14-05

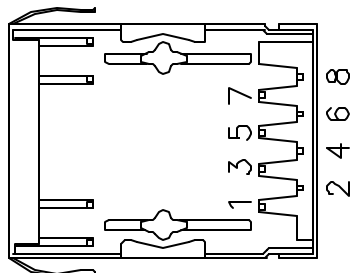
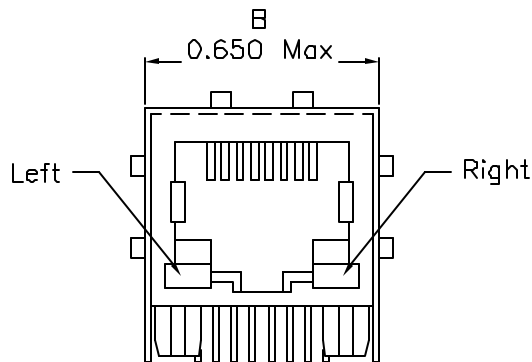
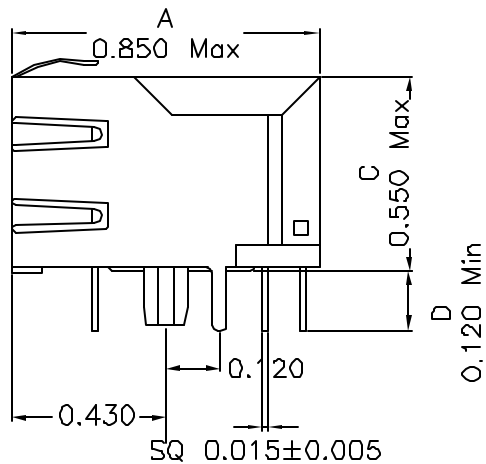
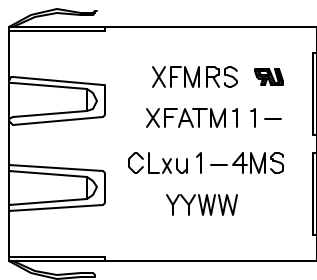
SHEET 1 OF 2

APP. BW Nov-14-05

PROPRIETARY:

Document is the property of XFMRs Group & is not allowed to be duplicated without authorization.

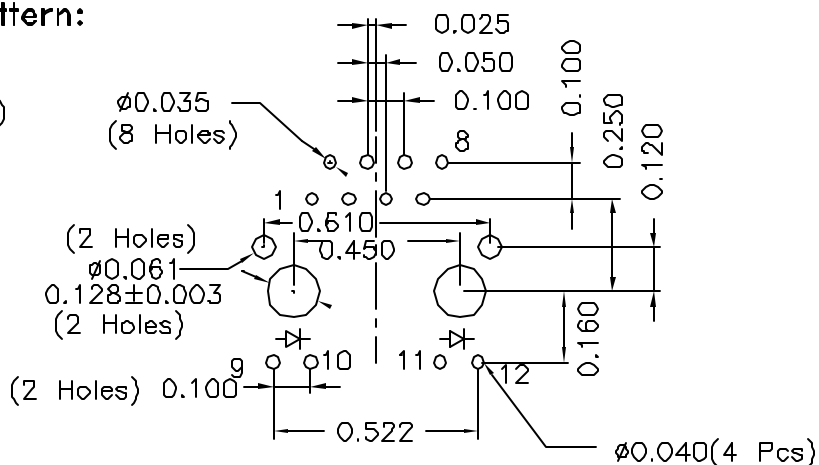
Mechanical Dimensions:



(BOTTOM VIEW)

Mounting Pattern:

(COMP SIDE)



XFMRS Inc. www.XFMRS.com	Title: Mechanical Dimensions For CLxu1-4MS Series		
	UNLESS OTHERWISE SPECIFIED TOLERANCES: .xxx ±0.010 Dimensions in Inch	P/N: XFATM11-CLxu1-4MS	REV. A
	DWN.	Juan Mao	Nov-14-05
	CHK.	YK Liao	Nov-14-05
SHEET 2 OF 2	APP.	BW	Nov-14-05

DOC. REV: A/3

PROPRIETARY

Document is the property of XFMRS Group & is not allowed to be duplicated without authorization.