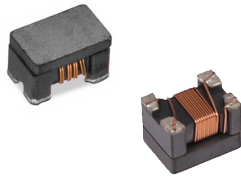


SCM Series
Common Mode Filter
Size 2012



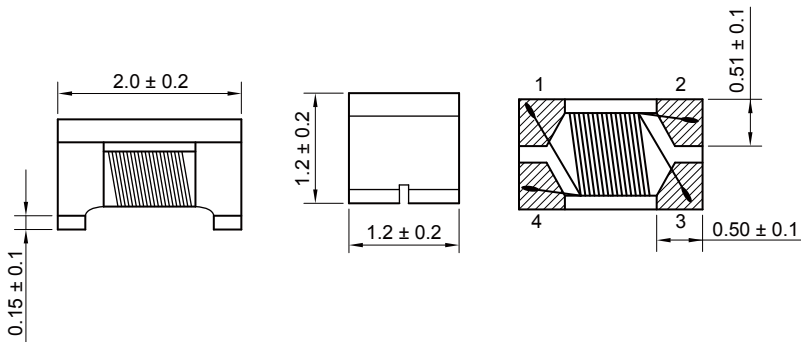
FEATURES

- High common mode impedance for outstanding noise suppression performance.
- Realize small size and low profile. 0*0*2mm
- Operating temperature -40~+125 C
- Excellent solderability

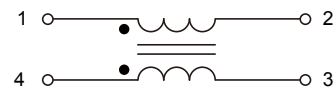
FEATURES

- USB2.0 lines for PC, TV, Peripheral equipments
- Standard signal lines
- Audio lines

Dimensions: [mm]



Schematic:



Electrical Properties:

| Part No | Impedance @ 100 MHz (Ω) | Tolerance | DC Resistance Max. (Ω) | Rated Current Max. (mA) | Rated Volt Max. (Volts) | Withstand Volt Max. (Volts) | IR Min. (MΩ) |
|----------------|-------------------------|-----------|------------------------|-------------------------|-------------------------|-----------------------------|--------------|
| SCM2012-670-04 | 67 | ±25% | 0.25 | 400 | 50 | 125 | 10 |
| SCM2012-900-04 | 90 | ±25% | 0.30 | 400 | 50 | 125 | 10 |
| SCM2012-121-04 | 120 | ±25% | 0.30 | 400 | 50 | 125 | 10 |
| SCM2012-161-04 | 160 | ±25% | 0.35 | 350 | 50 | 125 | 10 |
| SCM2012-181-04 | 180 | ±25% | 0.35 | 350 | 50 | 125 | 10 |
| SCM2012-201-03 | 200 | ±25% | 0.40 | 300 | 50 | 125 | 10 |
| SCM2012-221-03 | 220 | ±25% | 0.40 | 300 | 50 | 125 | 10 |
| SCM2012-261-03 | 260 | ±25% | 0.40 | 300 | 50 | 125 | 10 |
| SCM2012-361-03 | 360 | ±25% | 0.50 | 300 | 50 | 125 | 10 |
| SCM2012-601-03 | 600 | ±25% | 0.88 | 300 | 50 | 125 | 10 |
| SCM2012-801-03 | 800 | ±25% | 0.88 | 300 | 50 | 125 | 10 |
| SCM2012-102-01 | 1000 | ±25% | 1.30 | 100 | 50 | 125 | 10 |

