

**PLEASE CHECK WWW.MOLEX.COM FOR LATEST PART INFORMATION**

**Part Number:** [0521470610](#)  
**Status:** **Active**  
**Overview:** [wire\\_trap](#)  
**Description:** 2.00mm (.079") Pitch Wire Trap, Pull-Cover Style, Vertical, 6 Circuits

**Documents:**

[3D Model](#) [Product Specification PS-52147-001 \(PDF\)](#)  
[Drawing \(PDF\)](#) [RoHS Certificate of Compliance \(PDF\)](#)

**Agency Certification**

UL E29179

**General**

Product Family Ribbon Cable / Wire Trap Connectors  
 Series [52147](#)  
 Comments Pull-Cover  
 Component Type One Piece  
 Glow-Wire Compliant No  
 Overview [wire\\_trap](#)  
 Product Name Board-In, Wire Trap

**Physical**

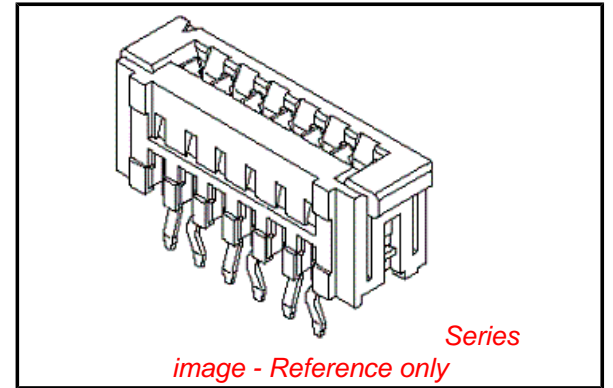
Circuits (Loaded) 6  
 Entry Angle Vertical  
 Flammability 94V-0  
 Lock to Mating Part None  
 Material - Metal Phosphor Bronze  
 Material - Plating Mating Tin  
 Material - Plating Termination Tin  
 Number of Rows 1  
 PCB Retention Yes  
 PCB Thickness Recommended (in) 0.062 In  
 PCB Thickness Recommended (mm) 1.60 mm  
 Packaging Type Tray  
 Pitch - Mating Interface (in) 0.079 In  
 Pitch - Mating Interface (mm) 2.00 mm  
 Plating min: Mating (µin) 36  
 Plating min: Mating (µm) 0.90  
 Plating min: Termination (µin) 36  
 Plating min: Termination (µm) 0.90  
 Polarized to Mating Part N/A  
 Polarized to PCB No  
 Stackable No  
 Surface Mount Compatible (SMC) No  
 Temperature Range - Operating -40°C to +105°C  
 Termination Interface: Style Through Hole - Kinked Pin  
 Wire Insulation Diameter 1.60mm (.063") max.  
 Wire Size AWG 26  
 Wire/Cable Type Ribbon Cable

**Electrical**

Current - Maximum per Contact 2A  
 Voltage - Maximum 150V

**Material Info**

**Reference - Drawing Numbers**



**EU RoHS**

**ELV and RoHS  
Compliant**  
**REACH SVHC  
Contains SVHC: No**  
**Halogen-Free  
Status  
Not Reviewed**

**China RoHS**



**Need more information on product  
environmental compliance?**

Email [productcompliance@molex.com](mailto:productcompliance@molex.com)  
 For a multiple part number RoHS Certificate of  
 Compliance, [click here](#)

Please visit the [Contact Us](#) section for any  
 non-product compliance questions.

**Search Parts in this Series**

[52147Series](#)

**Mates With**

N/A

**Use With**

Topcoated ribbon cable

Packaging Specification  
Product Specification

Sales Drawing

SPK-52147  
PS-52147-001, RPS-52147-001, RPS-52147-002,  
RPS-52147-003, RPS-52147-004  
SD-52147-\*\*10

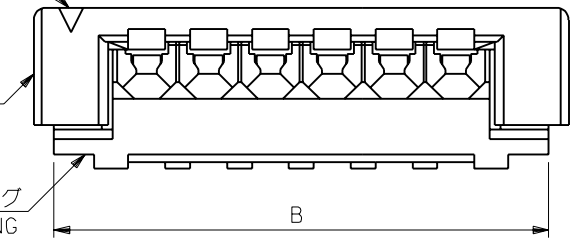
This document was generated on 06/08/2010

**PLEASE CHECK [WWW.MOLEX.COM](http://WWW.MOLEX.COM) FOR LATEST PART INFORMATION**

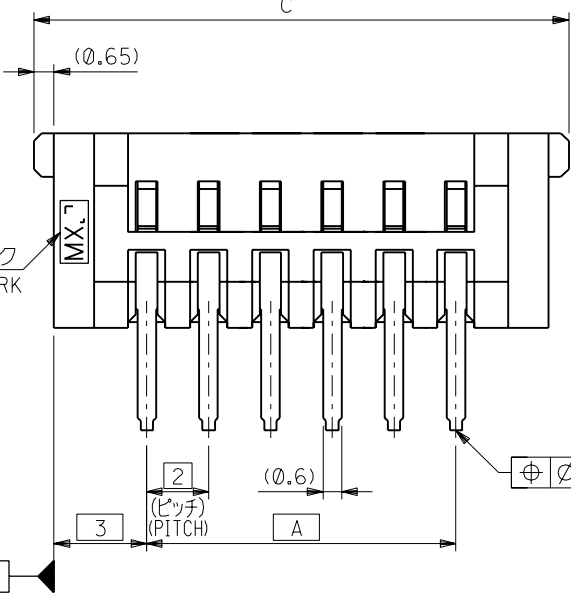
回路番号1用マーク  
CKT.NO.1 MARK

アクチュエータ  
ACTUATOR

ハウジング  
HOUSING

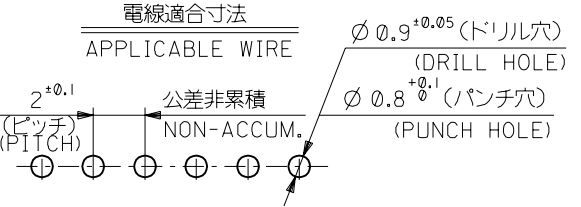
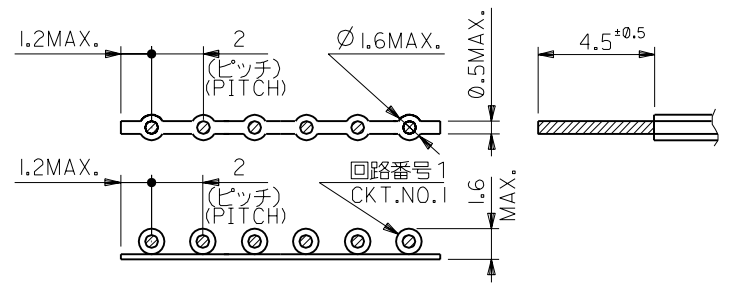
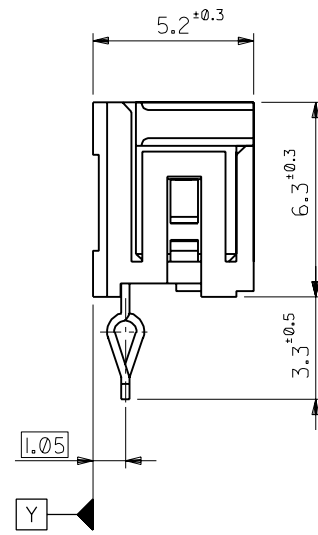
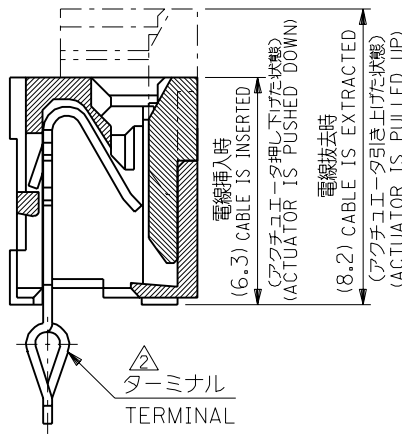


トレードマーク  
TRADE MARK



注記  
NOTES

- 1 使用材料 : MATERIAL  
 ハウジング : PBT (ガラス繊維入), UL94V-0. (白)  
 HOUSING : PBT (GLASS FILLED), UL94V-0. (WHITE)  
 アクチュエータ : PBT (ガラス繊維入), UL94V-0. (白)  
 ACTUATOR : PBT (GLASS FILLED), UL94V-0. (WHITE)  
 ターミナル : リン青銅、錫メッキ (t=0.25)  
 TERMINAL : PHOS-BRO, PRE-TINNED (t=0.25)
- △ 2極のみキンク無しとする。  
 FOR CKT 2 MUST NOT BE KINK



基板取付穴推奨寸法 (t=1.6)  
RECOMMENDED P.C.BOARD DIM.

39.3	38	32	52147-1710	17
37.3	36	30	-1610	16
35.3	34	28	-1510	15
33.3	32	26	-1410	14
31.3	30	24	-1310	13
29.3	28	22	-1210	12
27.3	26	20	-1110	11
25.3	24	18	-1010	10
23.3	22	16	-0910	9
21.3	20	14	-0810	8
19.3	18	12	-0710	7
17.3	16	10	-0610	6
15.3	14	8	-0510	5
13.3	12	6	-0410	4
11.3	10	4	-0310	3
9.3	8	2	52147-0210	2
C	B	A	ENG.NO.	極致 CKT.

材料 MATERIAL		注記参照 SEE NOTES		molex MOLEX-JAPAN CO.,LTD. 日本モレックス株式会社	
仕上げ FINISH		適用電線範囲 AWG #26 WIRE RANGE (錫コート線) (TOP-COAT WIRE)		REVISE ONLY ON CAD SYSTEM	
被覆外径 INS. RANGE		図中参照 SEE DRAWING		TITLE 名称 2.0 NEW MINI WIRE TRAP CONN.(ST.)	
DRAWN BY '94/9/28 T.NIITSU		CHK'D BY '94/9/28 Y.M.H.HIRAMOTO		DWG. NO. SD-52147-**-10	
APP'D BY '94/9/28 M.FUKUSHIMA		尺度 SCALE		REV C	
角度 ANGLE	±3°	30以上 OVER	±0.3	10以上 OVER 30未滿 UNDER	±0.25
30未滿 UNDER	±0.2	C 再作図&変更 (J4079) REDRAWN & REVISED		T.N.H.H.	'94/9/28
一般公差 GENERAL TOLERANCES	記号 LTR	変更内容 REVISION RECORD	DR. CHK.	日付 DATE	APP'D BY '94/9/28 M.FUKUSHIMA