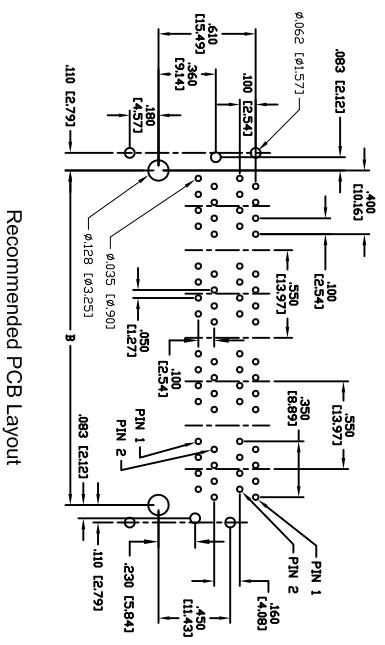
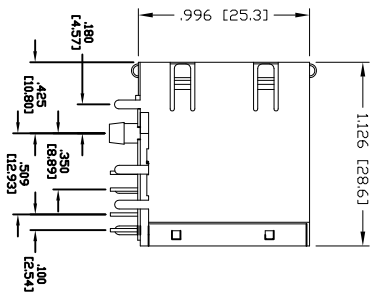
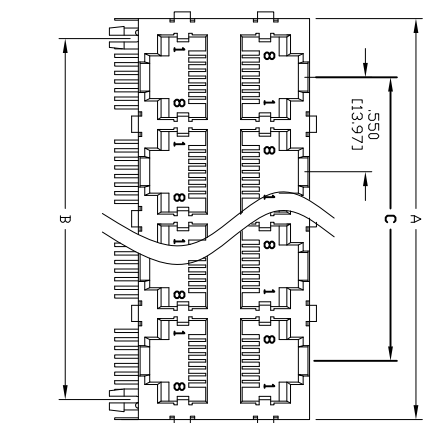
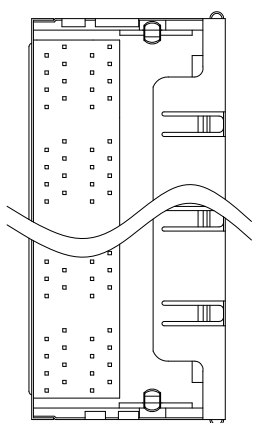


Rev	AWO #	Description	Date	Appr
-		RELEASED	4/15/05	
A		ADDED PART NO. -2 & 4 TO CHART	2/20/07	
B		ADDED DIMENSIONS TO PCB LAYOUT	5/18/09	

APPROVED: \_\_\_\_\_  
 DATE: \_\_\_\_\_ TITLE: \_\_\_\_\_



Recommended PCB Layout



PART NUMBER	PORTS	DIMENSIONS		
		A	B	C
MTJG-2-88JX1-FSG-PG	2 X 1	.679 [17.271]	.450 [11.431]	
MTJG-4-88JX1-FSG-PG	2 X 2	1.227 [31.171]	1.000 [25.401]	.550 [13.977]
MTJG-6-88JX1-FSG-PG	2 X 3	1.780 [45.211]	1.549 [39.341]	1.100 [27.941]
MTJG-8-88JX1-FSG-PG	2 X 4	2.333 [59.181]	2.100 [53.341]	1.650 [41.911]
MTJG-12-88JX1-FSG-PG	2 X 6	3.443 [87.101]	3.200 [81.281]	2.750 [69.851]

X	PLATING
0	15 μin Gold
1	30 μin Gold
2	50 μin Gold

**SPECIFICATIONS:**  
 Material: Insulator: PBT, glass reinforced, rated UL 94V-0  
 Insulator color: Black  
 Shield: Phosphor Bronze, Tin plated  
 Contacts: Phosphor Bronze  
 Plating: Gold over Nickel underplate on tails (See chart), Tin over Copper underplate on tails (See chart)  
 Electrical:  
 Operating voltage: 150 VAC max  
 Current rating: 1.5 Amps max  
 Contact resistance: 20 mohms max  
 Insulation resistance: 500 Mohms min @ 500 VDC  
 Dielectric withstanding voltage: 1000 VAC for 1 minute  
 Temperature Rating:  
 Operating temperature: -40°C to +125°C  
 Approvals: cUL File #: E224049  
 Environmental:  
 Lead free, RoHS compliant  
 Recommended soldering temp: 235°C for 5 sec.

UNLESS OTHERWISE SPECIFIED  
 ALL DIMENSIONS ARE INCHES [MM]  
 TOLERANCES: EXCEPT AS NOTED

INCHES	HOLES
.X ± .10	Ø.X ± .10
.XX ± .020	Ø.XXX ± .015
.XXX ± .015	Ø.XXX ± .010

APPROVALS

DRAWN	SS	DATE
CHECKED		
APPROVED		

**ADAM TECH**  
 909 Rahway Avenue, Union, NJ 07083  
 Phone: 908-687-5000 Fax: 908-687-5710

MODULAR GANGED AND STACKED RJ45  
 RIGHT ANGLE, PCB

TITLE: MTJG-X-88JX1-FSG-PG  
 SIZE: PART NO. B  
 REF: SCALE: NTS SHEET 1 OF 1