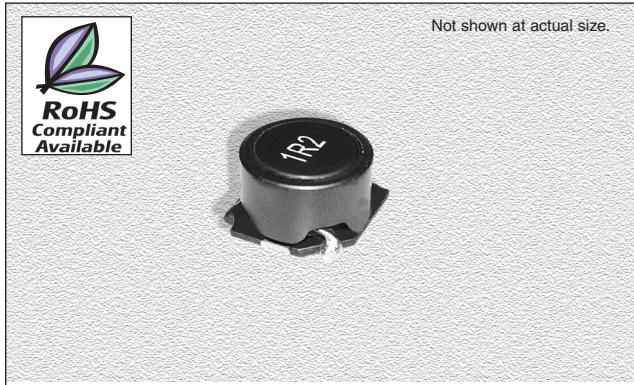


# CTSLF1275 Series

From 1.2  $\mu$ H to 220  $\mu$ H



## SPECIFICATIONS

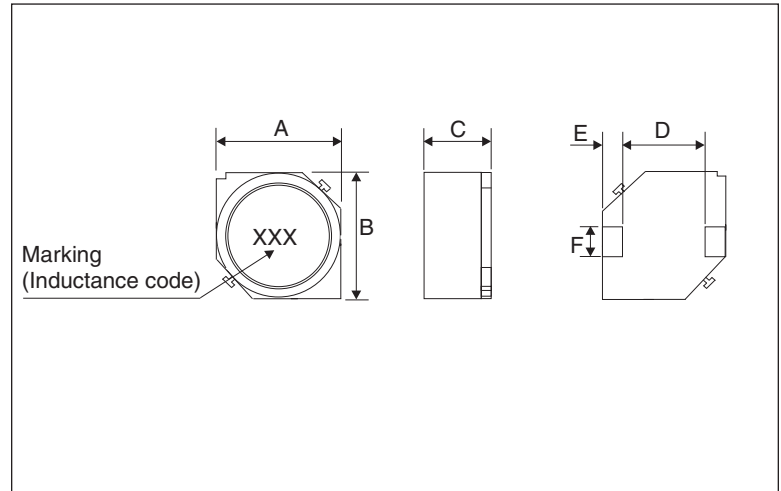
Part numbers are marked to indicate tolerance available.  
M =  $\pm 20\%$ , N =  $\pm 30\%$

CTSLF1275TE Please specify "F" for RoHS compliant

Part Number	Inductance ( $\mu$ H)	L Test Freq. (kHz)	DCR $\pm 20\%$ ( $\Omega$ )	Rated DC (A)	Itemp Max. (A)
CTSLF1275T_-1R2N	1.2	1.0	0.0069	13	8.2
CTSLF1275T_-2R7N	2.7	1.0	0.0094	10	7.0
CTSLF1275T_-3R9N	3.9	1.0	0.0104	9.0	6.7
CTSLF1275T_-5R6N	5.6	1.0	0.0116	7.8	6.3
CTSLF1275T_-6R8N	6.8	1.0	0.0131	7.2	5.9
CTSLF1275T_-100M	10	1.0	0.0156	5.5	5.4
CTSLF1275T_-150M	15	1.0	0.0184	4.7	5.0
CTSLF1275T_-220M	22	1.0	0.0263	4.0	4.0
CTSLF1275T_-330M	33	1.0	0.0395	3.2	3.4
CTSLF1275T_-470M	47	1.0	0.0528	2.7	3.0
CTSLF1275T_-680M	68	1.0	0.0778	2.0	2.4
CTSLF1275T_-101M	100	1.0	0.125	1.9	1.9
CTSLF1275T_-151M	150	1.0	0.175	1.5	1.6
CTSLF1275T_-221M	220	1.0	0.258	1.3	1.3

## PHYSICAL DIMENSIONS

Size	A	B	C	D Typ.	E Typ.	F Typ.
mm	12.5 $\pm$ 0.3	12.5 $\pm$ 0.3	7.5 $\pm$ 0.35	8.6	2.0	3.0
inches	0.49 $\pm$ 0.012	0.49 $\pm$ 0.012	0.30 $\pm$ 0.014	0.339	0.079	0.118



## CHARACTERISTICS

**Description:** SMD (shielded) power inductor

**Applications:** For power source circuits, low profile type DC to DC converters, DC to AC inverters etc.

**Operating Temperature:** -40°C to +125°C

**Inductance Tolerance:**  $\pm 20\%$  &  $\pm 30\%$

**Testing:** Inductance is tested on an HP4284A at 1.0 kHz, 0.5V

**IDC Current:** Value obtained when DC current flows and the initial value of inductance has fallen by 10%

**Itemp Current:** Value obtained when current flows and the temperature has risen to 40°C

**Packaging:** Tape & Reel

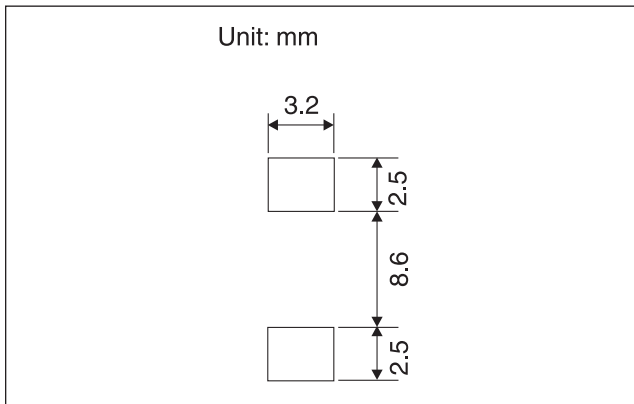
**Marking:** Parts are marked with inductance code

**Miscellaneous:** RoHS Compliant available. Magnetically shielded

**Additional Information:** Additional electrical & physical information available upon request

**Samples available. See website for ordering information.**

## PAD LAYOUT



03.19.07