



HDMI over Cat.5 Extender kit



HVE-9005

H/W Version: 1

The HVE-9005 HDMI over Cat.5 Extender kit with HDBaseT-Lite & Bi-directional IR boosts up your video/audio transmission distance up to 60m (198ft) in HDTV 1080p with 48-bit color depth. HVE-9005 also supports the most advanced 3D video format complaint with HDMI specification and therefore guarantees the highest 3D video compatibility on the market. With only one cost effective Cat.5/5e/6 cable, users can readily extend HDTV sources from DVD players, Blu-ray Disc player, PS3, PC, and any other kinds of sources compliant with TMDS to distant display monitors including HDMI enabled TV sets or LCD PC monitors. With the advanced design for the latest HDMI technology, deep color video, DTS-HD or Dolby TrueHD audio, and HDCP supports and compatibility are all further insured. This flexibility makes HDCP compliant DVD players or PS3 transmit utmost high quality video and audio with a greater distance at the

minimal cost, when integrating several components apart. In addition, HVE-9005 is also equipped with bi-directional IR pass-through path. These bonus features allow users to boost IR control distance up to 60m (198 ft) and makes IR control possible through only single Cat.5/5e/6 cable including HDMI signals.

The HVE-9005 includes two units: transmitting unit HVE-9005T and receiving unit HVE-9005R. The transmitting unit is used to capture the input HDMI signals with IR control packets and carry the signals via one cost effective Cat.5/5e/6 cable. The receiving unit is responsible for equalizing the transmitted HDMI signal and reconstructing IR signals. HVE-9005 offers the most convenient solution for digital signage with long distance A/V transmission path, and with 10G transmission width ready, HVE-9005 is ready for your next HDMI generation and applications!

HVE-9005T



HVE-9005R



1. Power jack:
2. Power LED
3. HDMI IN
4. IR Blaster
5. IR Receiver
6. Mini USB
7. Link LED
8. RJ-45 Port
9. HDMI OUT



Key Features

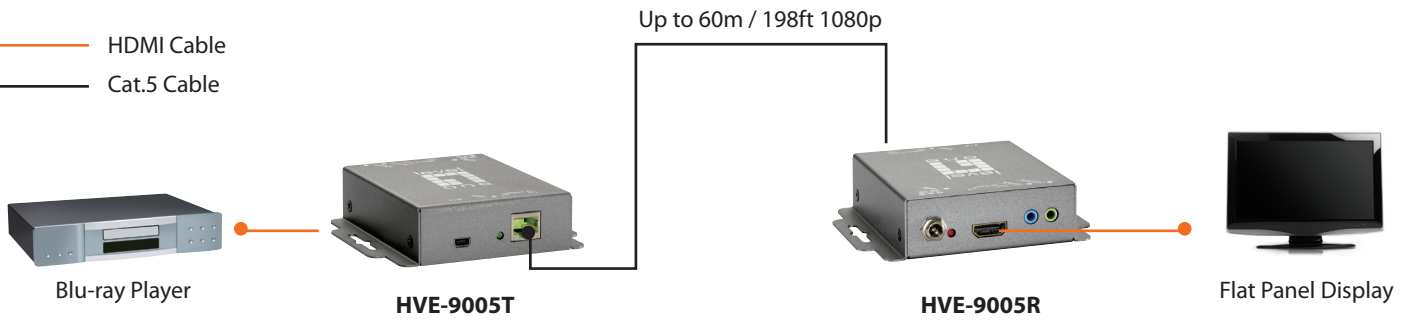
- Support HDMI Deep Color & full 3D & 4K2K@30 (HDBaseT-Lite technology)
- Extend the transmission up to 60m (198ft) from the HDMI source at Full HD 1080p 48-bit and 40m (130ft) at 4K2K@30
- HDCP & EDID Bypass, CEC support, Auto equalization
- Pure unaltered uncompressed 7.1ch digital HDMI over Cat.5/5e/6 cable transmission
- DTS-HD Master Audio and Dolby TrueHD high bit rate audio support
- Support full frequency IR signal from 20KHz to 60KHz
- Bi-directional IR pass-through
- Wall mounting housing design for easy and robust installation

Technical Specifications

Model Name	HDMI over Cat.5 Extender Kit	
Model No.	HVE-9005T	HVE-9005R
Product Name	HDMI over Cat.5 Transmitter	HDMI over Cat.5 Receiver
HDMI compliance	HDMI Deep Color, full 3D & 4K2K@30	
HDCP compliance	Yes	
Video bandwidth	Single-link 340MHz [10.2Gbps]	
Video support	480i / 480p / 720p / 1080i / 1080p60	
HDMI over UTP	1080p@60 60m (198ft) [CAT5e]	
Audio support	Surround sound [up to 7.1ch] or stereo digital audio	
Equalization	Auto	
Input TMDs signal	1.2 Volts [peak-to-peak]	
Input DDC signal	5 Volts [peak-to-peak, TTL]	
ESD protection	[1] Human body model — ±19kV [air-gap discharge] & ±12kV [contact discharge] [2] Core chipset — ±8kV	
PCB stack-up	4-layer board [impedance control — differential 100Ω; single 50Ω]	
IR pass-thru	Bi-directional	
Input	1x HDMI, 1x 3.5mm, 1x mini-USB	1x RJ-45, 1x 3.5mm, 1x mini-USB
Output	1x RJ-45, 1x 3.5mm	1x HDMI, 1x 3.5mm
HDMI source control	Controllable via IR pass-through from RX to TX with IR extenders	
HDMI connector	Type A [19-pin female]	
USB connector	Mini B	
RJ-45 connector	WE/SS 8P8C(Reverse Mode)	
Rotary control switch	None	
3.5mm connector	IR receiver / IR blaster	IR receiver / IR blaster
Housing	Metal enclosure	
Dimensions [L x W x H]	73 x 89 x 26mm [2.9" x 3.5" x 1"]	
Weight	200g [7oz]	196g [6.9oz]
Fixedness	Wall-mounting case with screws	
Power supply	5V 2A DC	
Power consumption	3 Watt [max]	7 Watt [max]
Operation temperature	0~40°C [32~104°F]	
Storage temperature	-20~60°C [-4~140°F]	
Relative humidity	20~90% RH [no condensation]	

Product Diagram

- HDMI Cable
- Cat.5 Cable



Order Information

Package Contents

HVE-9005: HDMI over Cat.5 Extender Kit

HVE-9005 Extender Kit

IR Blaster x 1

IR Receiver x 1

Power Adapter x 2

User Manual x 1