



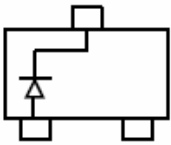
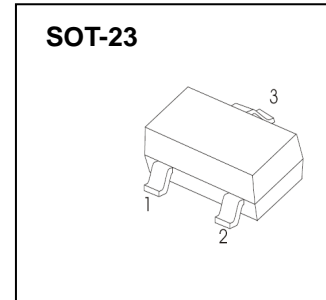
DONGGUAN NANJING ELECTRONICS LTD.,

## SOT-23 Plastic-Encapsulate Diodes

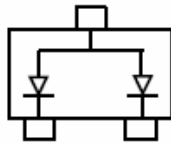
### BAT54/A/C/S SCHOTTKY BARRIER DIODE

#### FEATURES

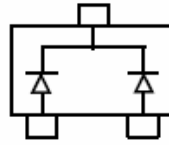
- Extremely Fast Switching Speed



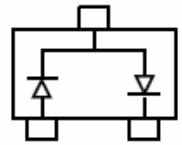
BAT54 MARKING: KL1



BAT54A MARKING: KL2



BAT54C MARKING: KL3



BAT54S MARKING: KL4

#### Maximum Ratings @Ta=25°C

Parameter	Symbol	Limit	Unit
Peak Repetitive Peak Reverse Voltage	$V_{RRM}$	30	V
Working Peak Reverse Voltage	$V_{RWM}$		
DC Blocking Voltage	$V_R$		
Forward Continuous Current	$I_{FM}$	200	mA
Power Dissipation	$P_D$	200	mW
Storage Temperature	$T_{STG}$	-55~+150	°C

#### Electrical Characteristics @Ta=25°C

Parameter	Symbol	Min	Typ	Max	Unit	Conditions
Reverse breakdown voltage	$V_{(BR)}$	30			V	$I_R=100\mu A$
Forward voltage	$V_{F1}$			0.24	V	$I_F=0.1mA$
	$V_{F2}$			0.32	V	$I_F=1mA$
	$V_{F3}$			0.40	V	$I_F=10mA$
	$V_{F4}$			0.50	V	$I_F=30mA$
	$V_{F5}$			1	V	$I_F=100mA$
Reverse current	$I_R$			2	$\mu A$	$V_R=25V$
Diode capacitance	$C_D$			10	pF	$V_R=1V, f=1MHz$
Reverse recovery time	$t_{rr}$			5	ns	$I_F=I_R=10mA$ $I_{rr}=0.1I_R, R_L=100\Omega$

# Typical Characteristics

# BAT54/A/C/S

