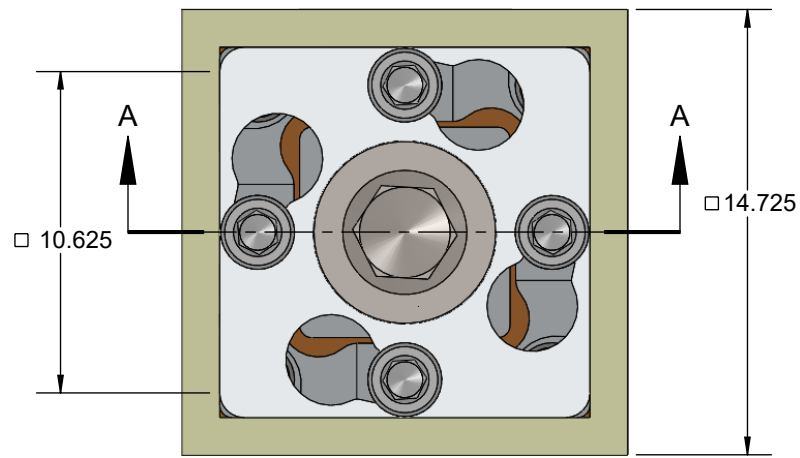


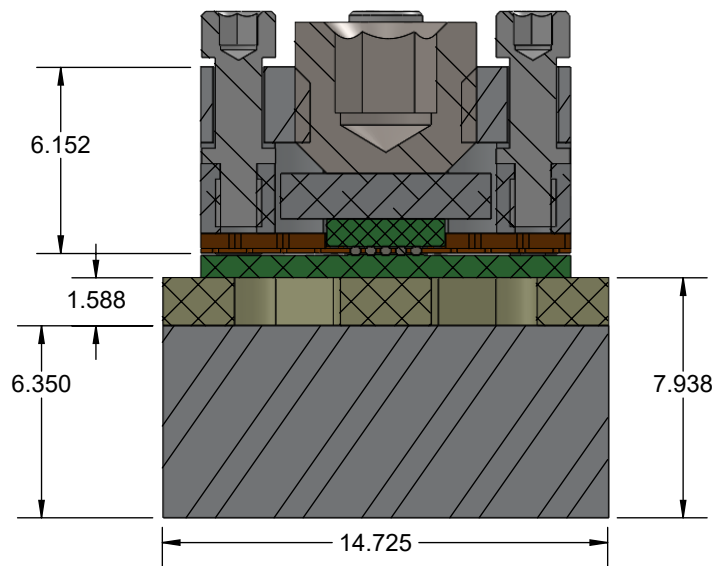
GHz BGA Socket - Direct mount, solderless

Features

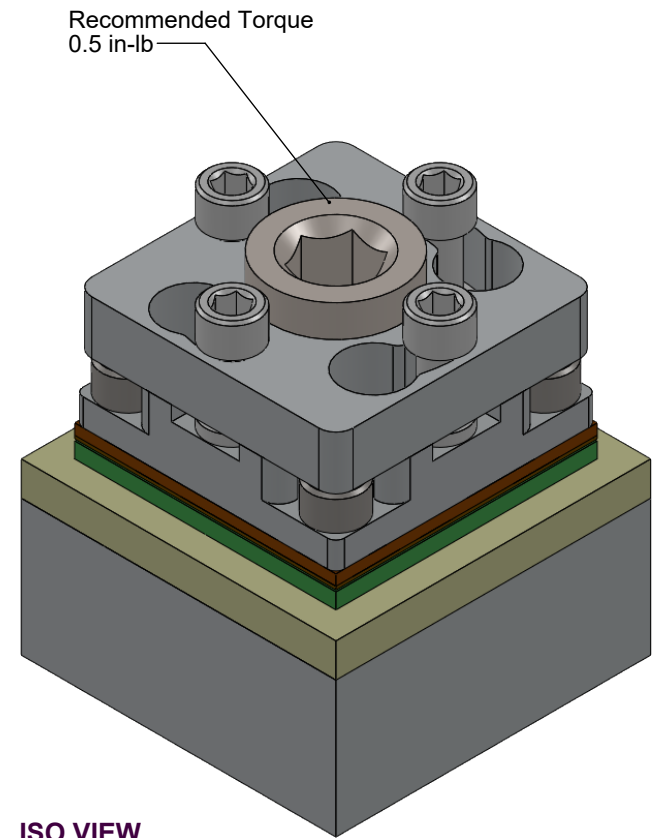
- Directly mounts to target PCB (needs tooling holes) with hardware
- High speed, reliable Elastomer connection
- Minimum real estate required
- Compression plate distributes forces evenly
- Easily removable swivel socket lid



TOP VIEW



SECTION A-A




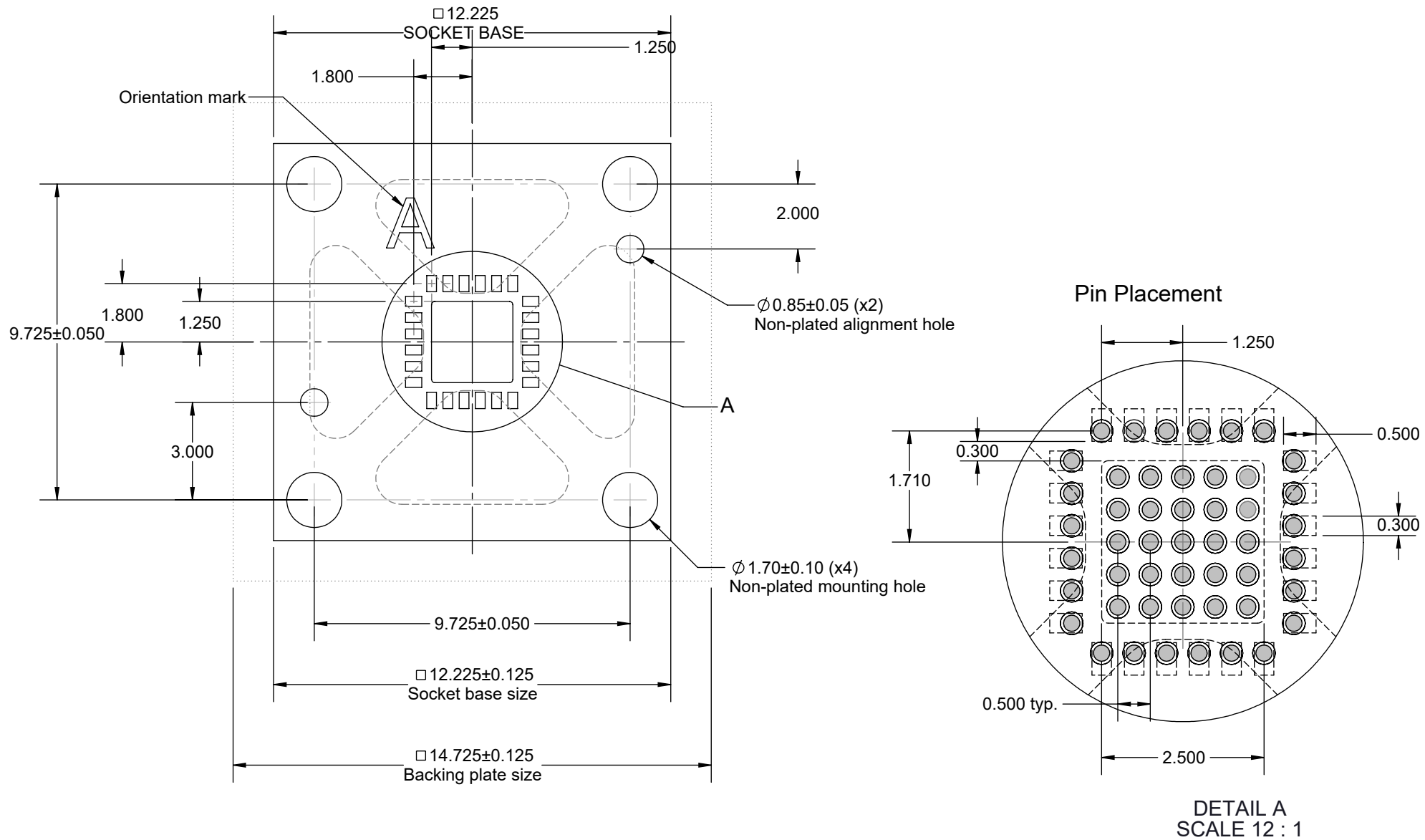
ISO VIEW

Description: GT-QFN 3.9x3.9mm 0.5mm pitch QFN24

Primary dimension units are millimeters, Secondary dimension units are [inches], Weight is in grams.

Tolerances: Hole diameters $\pm 0.0254\text{mm}$ [± 0.001 "]. Pitches (from true position) $\pm 0.0762\text{mm}$ [± 0.003 "], substrate thickness tolerance $\pm 10\%$, all other tolerances $\pm 0.127\text{mm}$ [± 0.005 "] unless stated otherwise. Materials and specifications are subject to change without notice.


 GT-QFN-3007 Drawing Ironwood Electronics, Inc. Tele: (800) 404-0204 www.ironwoodelectronics.com	Material: N/A Finish: N/A Weight: 7.74	STATUS: Released ENG: S. Huang FILE: GT-QFN-3007 Dwg	SHEET: 1 OF 4 DRAWN BY: M. Raske DATE: 12/09/2015	REV. A SCALE: 4:1

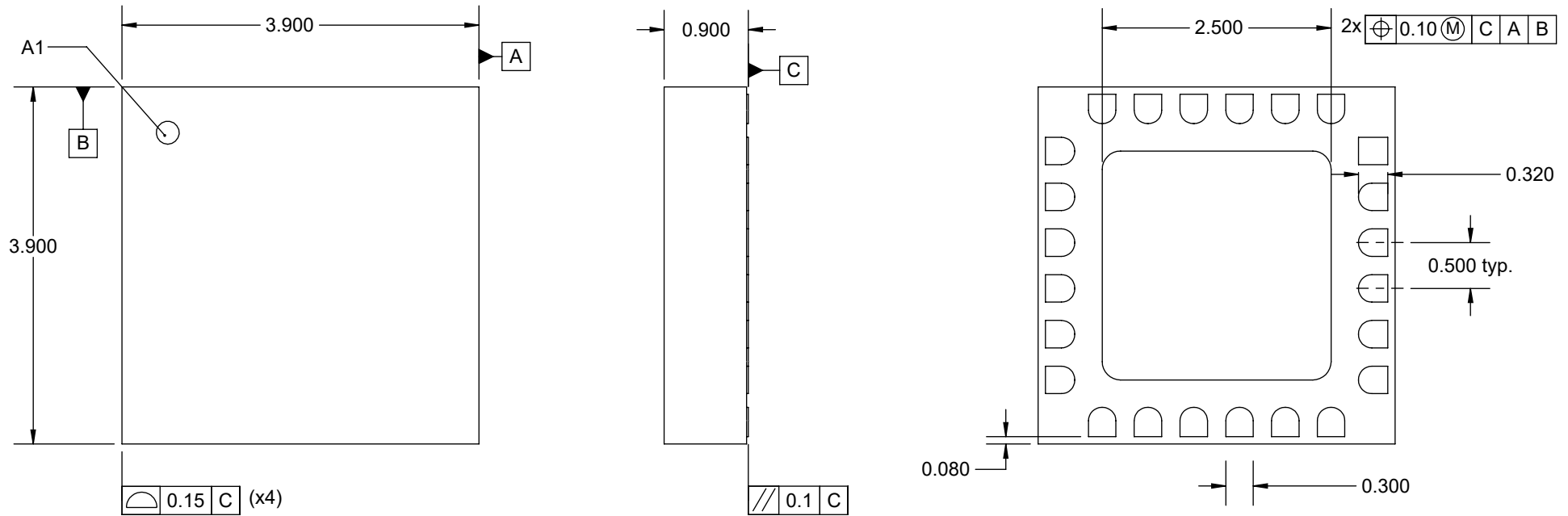


Description: Recommended PCB Layout

Primary dimension units are millimeters, Secondary dimension units are [inches], Weight is in grams.

Tolerances: Hole diameters $\pm 0.03\text{mm}$ [$\pm 0.001"$], Pitches (from true position) $\pm 0.025\text{mm}$ [$\pm 0.001"$], substrate thickness tolerance $\pm 10\%$, all other tolerances $\pm 0.13\text{mm}$ [$\pm 0.005"$] unless stated otherwise. Materials and specifications are subject to change without notice.

 GT-QFN-3007 Drawing Ironwood Electronics, Inc. Tele: (800) 404-0204 www.ironwoodelectronics.com	Material: N/A Finish: N/A Weight: 7.74	STATUS: Released ENG: S. Huang FILE: GT-QFN-3007 Dwg	SHEET: 2 OF 4 DRAWN BY: M. Raske DATE: 12/09/2015	REV. A SCALE: 6:1




Dimensions are in millimeters.

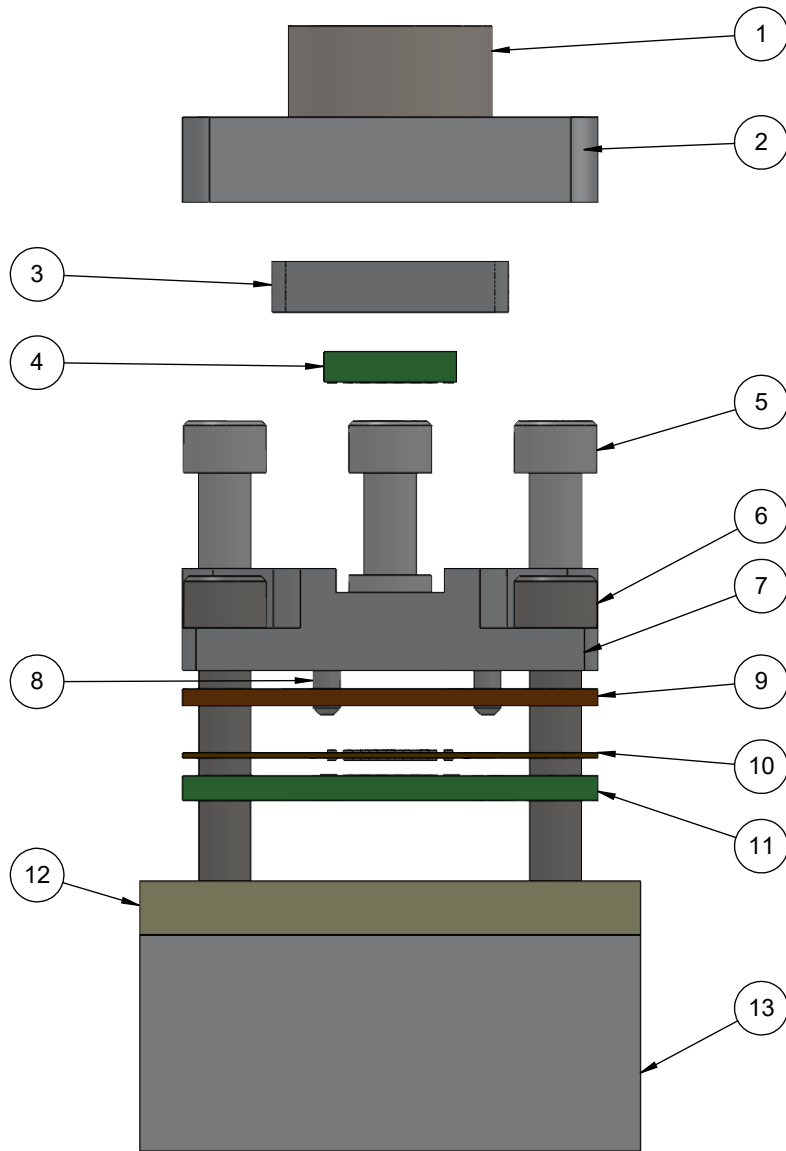
1. Interpret dimensions and tolerances per ASME Y14.5M-1994.
2. Parallelism measurement shall exclude any effect of mark on top surface of package.

Description: Compatible Device

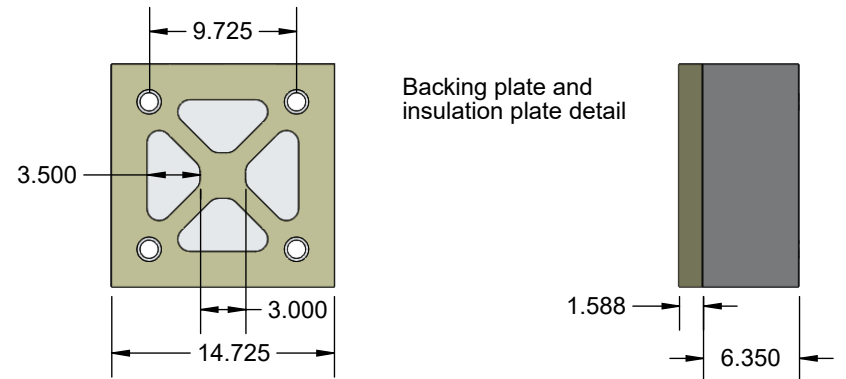
Primary dimension units are millimeters, Secondary dimension units are [inches], Weight is in grams.

Tolerances: Hole diameters $\pm 0.03\text{mm}$ [$\pm 0.001''$], Pitches (from true position) $\pm 0.025\text{mm}$ [$\pm 0.001''$], substrate thickness tolerance $\pm 10\%$, all other tolerances $\pm 0.13\text{mm}$ [$\pm 0.005''$] unless stated otherwise. Materials and specifications are subject to change without notice.

 GT-QFN-3007 Drawing Ironwood Electronics, Inc. Tele: (800) 404-0204 www.ironwoodelectronics.com	Material: N/A Finish: N/A Weight: 7.74	STATUS: Released	SHEET: 3 OF 4	REV. A
		ENG: S. Huang	DRAWN BY: M. Raske	SCALE: 15:1
		FILE: GT-QFN-3007 Dwg	DATE: 12/09/2015	




ITEM NO.	DESCRIPTION	Material
1	Compression Screw M6x1	Stainless Steel (18-8)
2	Socket Lid 7mm	7075-T6 Aluminum Alloy
3	Compression Plate 7mm IC, 1.5mm thick	7075-T6 (SN)
4	Test Chip 3.9x3.9mm 0.5mm pitch QFN24	FR4 High temp
5	#0-80 Shoulder Screw, 1.59mm thread length	Stainless Steel (303)
6	#0-80 X .375 LG, SOC HD CAP SCREW, ALLOY STL, BLK OXIDE	Alloy Steel
7	Socket Base 7mm	7075-T6 (SN)
8	Alignment Pin 1/32" dia. x 1/8" lng	Chrome Stainless Steel
9	IC guide 3.9x3.9mm QFN24	Kapton Polyimide/Cirlex
10	GT elastomer for 3.9x3.9mm 0.5mm pitch QFN24	N/A
11	Test PCB 3.9x3.9mm 0.5mm pitch QFN24	FR4 High temp
12	Insulation Plate 7mm	FR4 Standard
13	Backing Plate	7075-T6 Aluminum Alloy



Description: Socket, Backing Plate Detail

Primary dimension units are millimeters, Secondary dimension units are [inches], Weight is in grams.

Tolerances: Hole diameters $\pm 0.03\text{mm}$ [$\pm 0.001"$], Pitches (from true position) $\pm 0.025\text{mm}$ [$\pm 0.001"$], substrate thickness tolerance $\pm 10\%$, all other tolerances $\pm 0.13\text{mm}$ [$\pm 0.005"$] unless stated otherwise. Materials and specifications are subject to change without notice.

 GT-QFN-3007 Drawing Ironwood Electronics, Inc. Tele: (800) 404-0204 www.ironwoodelectronics.com	Material: N/A Finish: N/A Weight: 7.74	STATUS: Released ENG: S. Huang FILE: GT-QFN-3007 Dwg	SHEET: 4 OF 4 DRAWN BY: M. Raske DATE: 12/09/2015	REV. A SCALE: 4.5:1