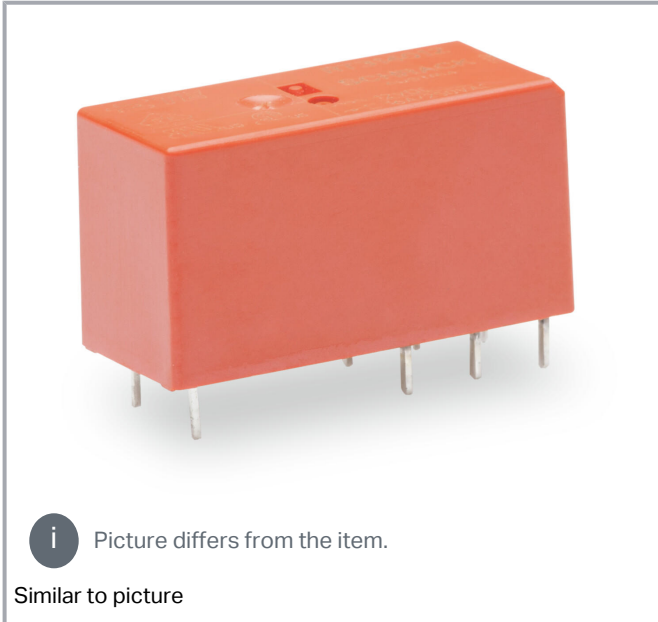


Data sheet | Item number: 788-152

Basic relay; Nominal input voltage: 12 VDC; 2 changeover contacts; Limiting continuous current: 8 A; Module width: 13 mm; Module height: 15 mm

www.wago.com/788-152



 Picture differs from the item.

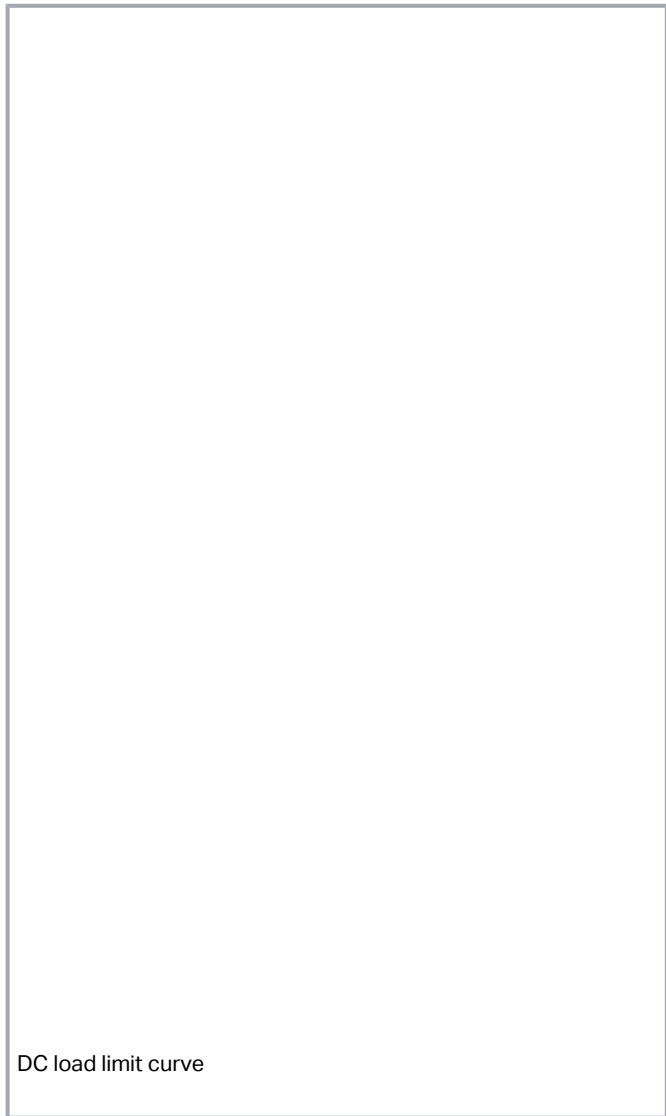
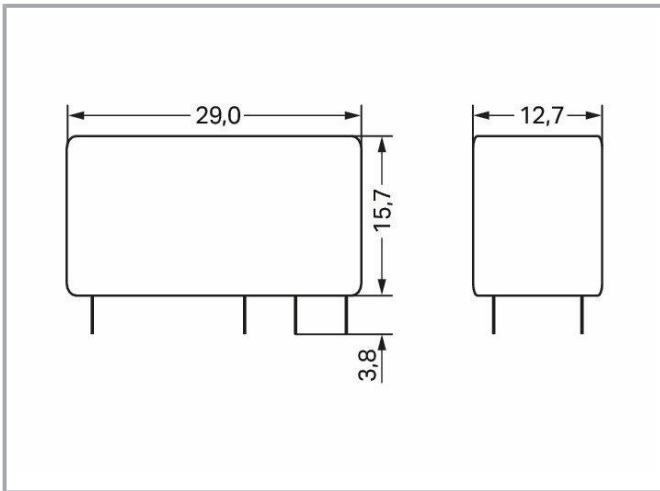
Similar to picture



Subject to changes. Please also observe the further product documentation!

WAGO GmbH & Co. KG
Hansastr. 27
32423 Minden
Phone: +49571 887-0 | Fax: +49571 887-169
Email: info.de@wago.com | Web: www.wago.com

Do you have any questions about our products?
We are always happy to take your call at +49 (571) 887-44222.



Data

Technical data

Control circuit

Nominal input voltage U_N	DC 12 V
Nominal input current at U_N	0

Subject to changes. Please also observe the further product documentation!

Load circuit

Number of changeover/switchover contacts	2
Contact material (relay)	AgNi 90/10
Limiting continuous current	8 A
Inrush current (resistive) (max.)	(AC) 15 A / 4 s
Switching voltage (max.)	AC 250 V
Switching power (resistive) (max.)	AC 2000 VA; DC (see load limit curve)
Switching capacity	AC-15: 3 A / AC 250 V; DC-13: 2 A / DC 24 V
Recommended minimum load	12 V / 10 mA
Pull-in time (typ.)	8 ms
Drop-out time (typ.)	6 ms
Bounce time (typ.)	10 ms
Electrical life (NO; resistive load; 23 °C)	10×10^3 switching operations
Mechanical life	30×10^6 switching operations
Switching frequency with/without load (max.)	6 min^{-1} / 1200 min^{-1}

Safety and protection

Dielectric strength, control/load circuit (AC, 1 min)	5 kVrms
Dielectric strength, open contact (AC, 1 min)	1 kVrms
Dielectric strength, load/load circuit (AC, 1 min)	2.5 kVrms
Protection type	IP40

Physical data

Width	12.7 mm / 0.5 inch
Height from the surface	15.7 mm / 0.618 inch
Depth	29 mm / 1.142 inch

Mechanical data

Mounting type	Pluggable module
---------------	------------------

Material data

Weight	13 g
--------	------

Subject to changes. Please also observe the further product documentation!

Environmental requirements

Surrounding air temperature (operation at U_N)	-40 ... 85 °C
Surrounding air temperature (storage)	-40 ... 85 °C

Standards and specifications

Standards/Specifications	EN 61810-1
--------------------------	------------

Commercial data

Product Group	6 (Interface Electronics)
PU (SPU)	20 Each
Packaging type	box
Country of origin	AT
GTIN	4050821867753
Customs tariff number	85364900990

Optional accessories

Sockets

Socket without relay



Item no.: 788-102

Relay socket; 2 changeover contacts; for 15 mm basic relays; gray

www.wago.com/788-102

Downloads

Documentation

Bid Text

788-152 docx - Datei	2019. 2. 20.	docx 16.0 kB	Download
788-152 X81 - Datei	2019. 2. 19.	xml 3.7 kB	Download

Additional Information

Disposal; Electrical and electronic equipment, Packaging	V 1.0.0	pdf 265.8 kB	Download
--	---------	-----------------	----------

Subject to changes. Please also observe the further product documentation!

WAGO GmbH & Co. KG
 Hansastr. 27
 32423 Minden
 Phone: +49571 887-0 | Fax: +49571 887-169
 Email: info.de@wago.com | Web: www.wago.com

Do you have any questions about our products?
 We are always happy to take your call at +49 (571) 887-44222.



CAD/CAE-Data

CAE data

	URL	Download
WSCAD Universe 788-152		

Environmental Product Compliance

Compliance Search

Environmental Product Compliance 788-152	URL	Download
--	-----	----------

Basic relay; Nominal input voltage: 12 VDC; 2 changeover contacts; Limiting continuous current: 8 A; Module width: 13 mm; Module height: 15 mm

Installation Notes

Subject to changes. Please also observe the further product documentation!