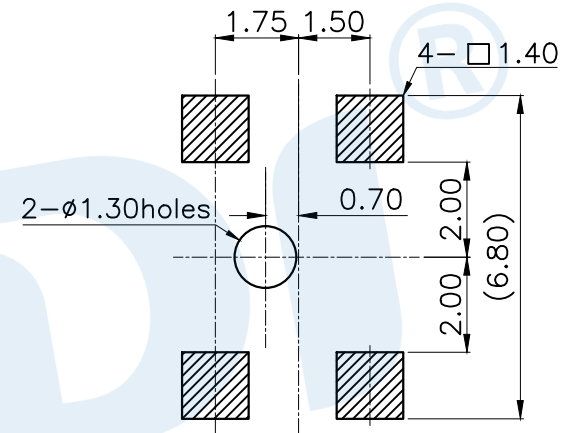
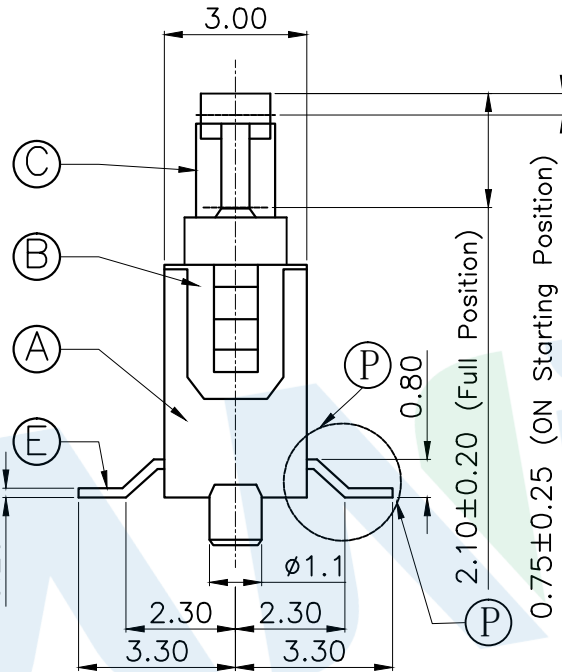
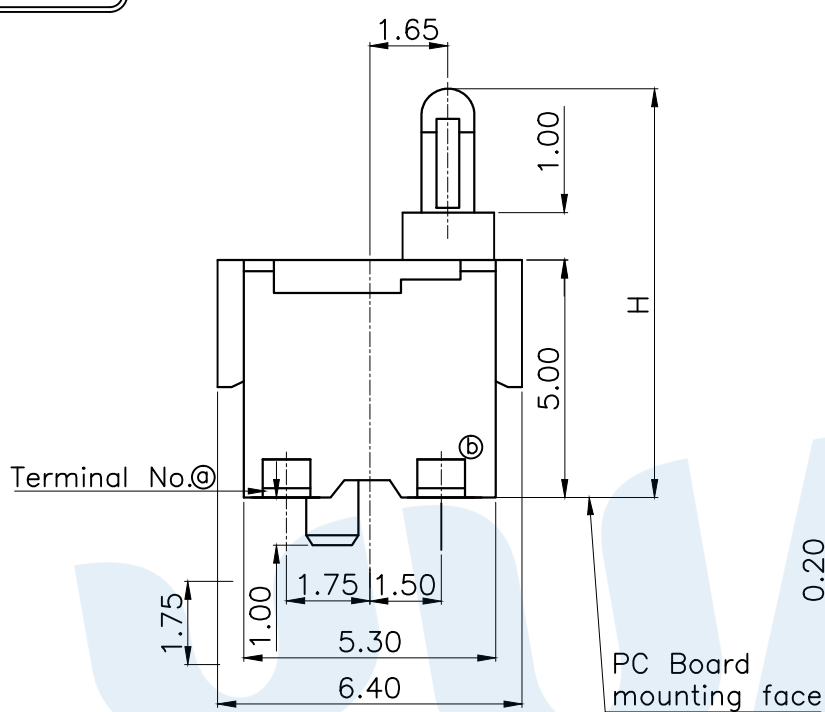
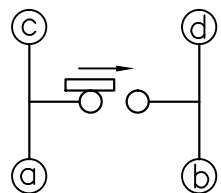


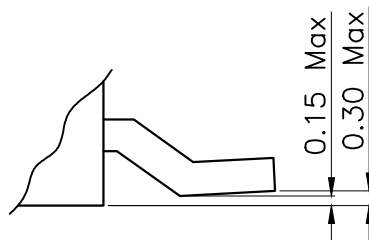
RoHS



PCB Layout (Pattern side)



Circuit Diagram



Detail of P (SCALE: 2:1)

TOTAL HEIGHT	
CODE	H
A2	8.5
A5	11

Technical Parameters

1. Rated current: DC 30V 0.1A
2. Operating force: 40 ± 10gf
3. Mechanical life: 100,000 times

NO.	Name	Number	Qty	Materil	Remarks
⑤	Terminal		4	Brass	Silvering
④	Contact Spring		1	Phosphor bronze	Silvering
③	Button		1	Nylon	Black
②	Cover		1	Nylon	Black
①	Base		1	Nylon	Black

YUANDI® Yuandi Electronics Co, Ltd

design	date	name	DETECTION SWITCH
Review	date	model	TQ-2522
Approved	date		

Drawing number: Proportion 1:1 unit mm gage number A4

modify Review Approved Tolerance not specified