

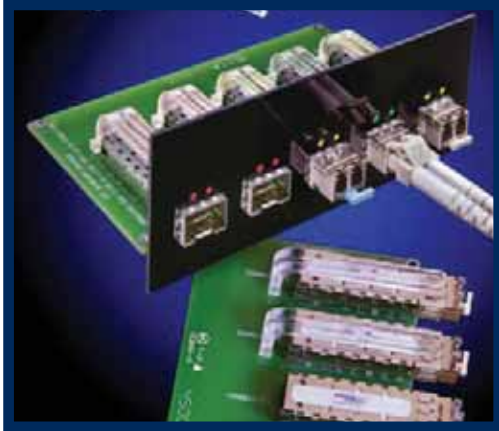
Dialight

515 SERIES

2mm Round

MicroLED® Optopipe®

Optical Light Pipe, 2 Array



FEATURES / BENEFITS

- ▲ Designed to mount over SFP cage assembly
- ▲ High transmissivity polycarbonate material
- ▲ UL94V-O Compliance
- ▲ ESD Protection (circuit isolation from front panel)
- ▲ Wide viewing angle
- ▲ Arrays reduce insertion cost
- ▲ Secures to PCB by press-fit
- ▲ Operating/Storage temperature -30°C to +100°C

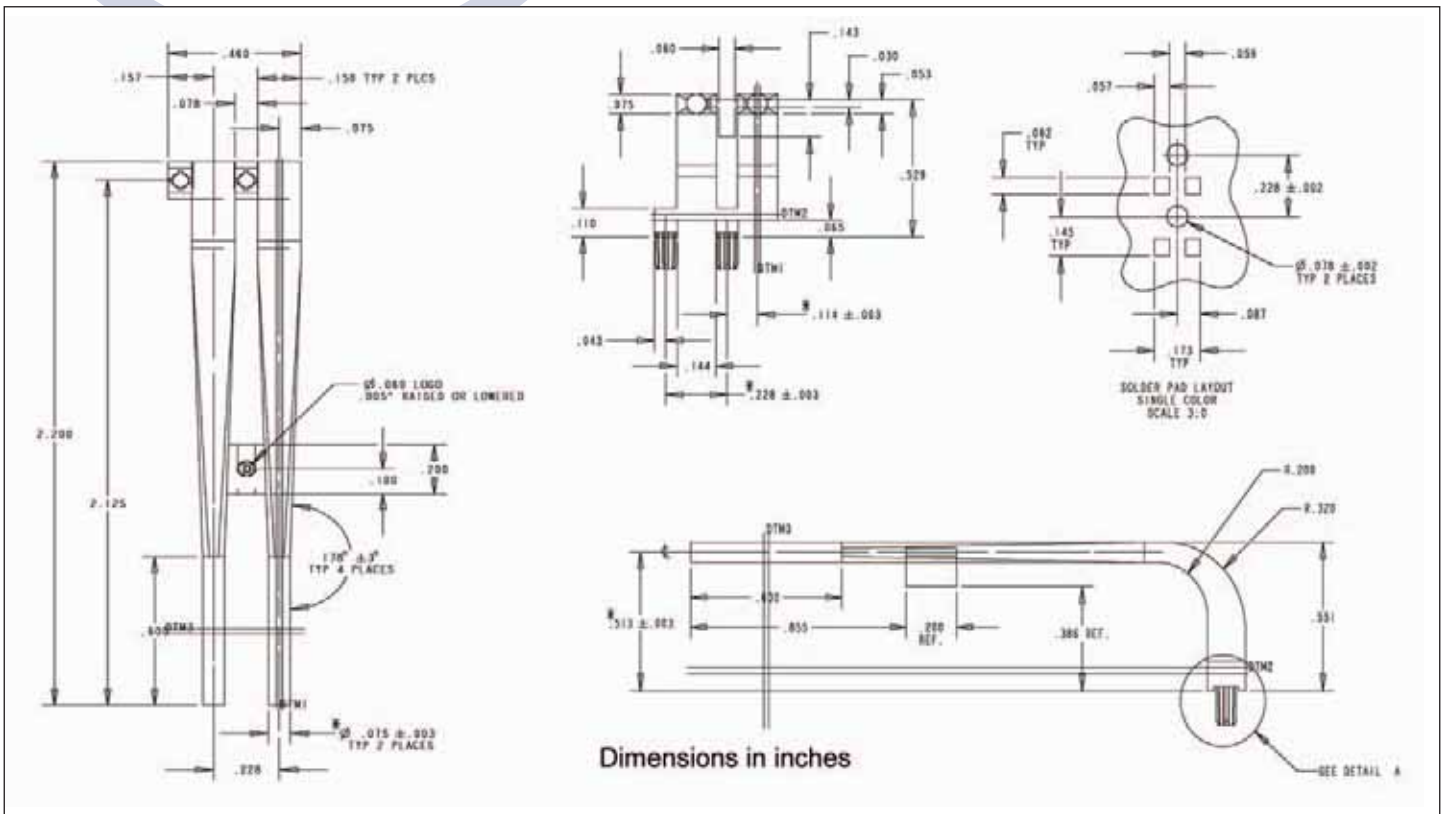
Recommended MicroLED® SMD LEDs for use with 515-1118

Part Number Series

597-3xx1-5xx

597-77x1-5xx

See reverse side for color options and pad layout



A4703



ISO 9001

Dialight Corporation

Dialight Corporation

1501 Route 34 South • Farmingdale, NJ 07727 USA

Tel: (1) 732-919-3119 • Fax: (1) 732-751-5778 • www.dialight.com



a Roxboro Group Company

MDEG515X001_B

ABSOLUTE MAXIMUM RATINGS (TA = 25° C)

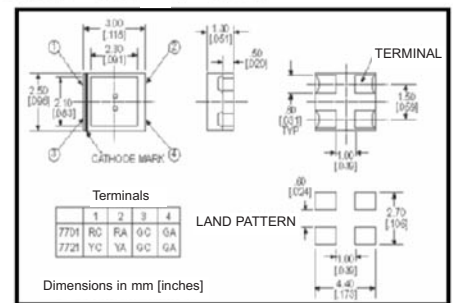
Parameter	02	11	21	30	40	0	2	
Color	Red	AlGaAs Red	Orange	Green	Yellow	Red/Green	Yellow/ Green	
Power Dissipation (mW)	70	75	70	70	70	60/60	60/60	
Forward DC Current	25	30	25	25	25	25/25	25/25	
Derating (mA/°C) above 25°C	0.42	0.42	0.42	0.42	0.42	.4/.3	.4/.3	
Peak Forward Current (10 μsec)	60mA	75mA	60mA	60mA	60mA	60/60	60/60	
Operating Temperature	-30°C to +85°C							
Storage Temperature	-40°C to +85°C							
Soldering Profile	240°C Peak, max 10 seconds					240-245°C, max 5 sec		

OPERATING CHARACTERISTICS (TA = 25° C)

Parameters	Color Code	Color	Min	Typ	Max	Units	Test Cond.
Forward Voltage VF	02	Red		2	2.8	V	IF=10mA
	11	AlGaAs Red		1.75	2.5		
	21	Orange		2	2.8		
	30	Green		2.2	2.8		
	40	Yellow		2.1	2.8		
	0	Red/Green		2/2.2	2.8/2.8		
	2	Yellow/Green		2.1/2.2	2.8/2.8		
Reverse Current (VR=4V)	02	Red			100	V	IF=10μA
	11	AlGaAs Red			100		
	21	Orange			100		
	30	Green			100		
	40	Yellow			100		
	0	Red/Green			100/100		
	2	Yellow/Green			100/100		
Peak Wavelength	02	Red		650		nm	
	11	AlGaAs Red		660			
	21	Orange		610			
	30	Green		563			
	40	Yellow		585			
	0	Red/Green		650/570			
	2	Yellow/Green		585/563			
Luminous Intensity	02	Red	2.2	6.3		mcd	IF=20mA
	11	AlGaAs Red	5.6	16			
	21	Orange	3.6	10			
	30	Green	5.6	16			
	40	Yellow	2.2	6.3			
	0	Red/Green	3.6/9	6.3/20			
	2	Yellow/Green	3.6/9	6.3/20			
Viewing Angle (2θ 1/2)	02	Red		104		deg.	
	11	AlGaAs Red		104			
	21	Orange		104			
	30	Green		104			
	40	Yellow		104			
	0	Red/Green		100/100			
	2	Yellow/Green		100/100			

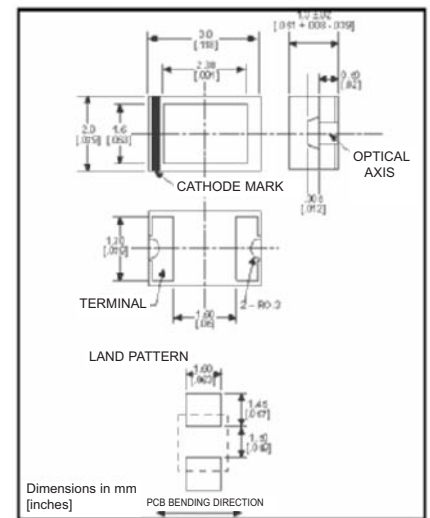
Bi-Color

597-77x1-507



Single Color

597-3xx1-507



XX - Color Code example
597-3**02**1-507 Red



A4703



ISO 9001

Dialight Corporation

Dialight Corporation

1501 Route 34 South • Farmingdale, NJ 07724 USA

Tel: (1) 732-919-3119 • Fax: (1) 732-751-5778 • www.dialight.com



a Roxboro Group Company

MDEG515X001_B