

**Cascadable Amplifier
20 to 500 MHz**

A80/ SMA80

V2

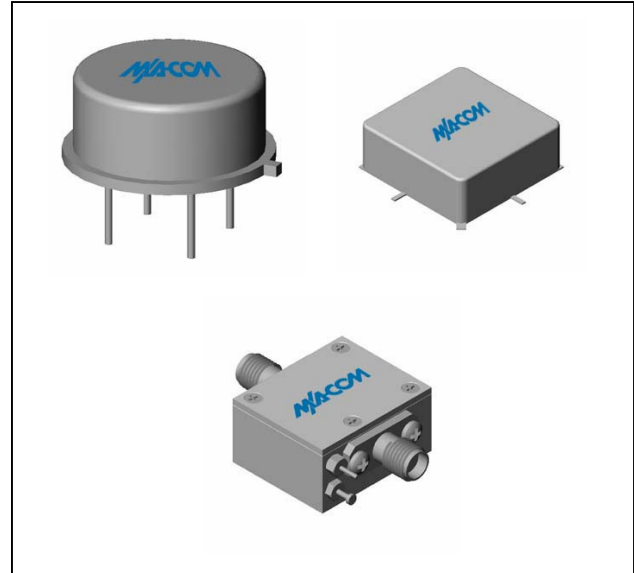
Features

- HIGH REVERSE ISOLATION 39 dB (TYP.)
- VERY LOW NOISE 2.3 dB (TYP.)
- HIGH GAIN 29 dB (TYP.)
- MEDIUM LEVEL OUTPUT +14.3 dBm (TYP.)

Description

The A80 RF amplifier is a discrete hybrid design, which uses thin film manufacturing processes for accurate performance and high reliability. The 2 stage silicon bipolar feedback amplifier design displays impressive performance over a broadband frequency range. An isolation transformer is used in the feedback loop, with the benefit of high reverse isolation. Both TO-8 and Surface Mount packages are hermetically sealed, and MIL-STD-883 environmental screening is available.

Product Image



Ordering Information

Part Number	Package
A80	TO-8
SMA80	Surface Mount
CA80	SMA Connectorized

Electrical Specifications: $Z_0 = 50\Omega$, $V_{CC} = +15 V_{DC}$

Parameter	Units	Typical	Guaranteed	
		25°C	0° to 50°C	-54° to +85°C*
Frequency	MHz	10-550	20-500	20-500
Small Signal Gain (min)	dB	29.0	27.5	26.5
Gain Flatness (max)	dB	±0.3	±0.7	±1.0
Reverse Isolation	dB	39		
Noise Figure (max)	dB	2.3	3.0	3.4
Power Output @ 1 dB comp. (min)	dBm	14.3	13.0	12.5
IP3	dBm	+27		
IP2	dBm	+33		
Second Order Harmonic IP	dBm	+40		
VSWR Input / Output (max)		1.4:1 / 1.8:1	1.8:1 / 2.1:1	2.0:1 / 2.3:1
DC Current @ 15 Volts (max)	mA	45	49	52

Absolute Maximum Ratings

Parameter	Absolute Maximum
Storage Temperature	-62°C to +125°C
Case Temperature	125°C
DC Voltage	+17 V
Continuous Input Power	+6 dBm
Short Term Input power (1 minute max.)	50 mW
Peak Power (3 µsec max.)	0.5 W
"S" Series Burn-In Temperature (case)	125°C

Thermal Data: $V_{CC} = +15 V_{DC}$

Parameter	Rating
Thermal Resistance θ_{jc}	45°C/W
Transistor Power Dissipation P_d	0.27 W
Junction Temperature Rise Above Case T_{jc}	12.2°C

* Over temperature performance limits for part number CA80, guaranteed from 0°C to +50°C only.

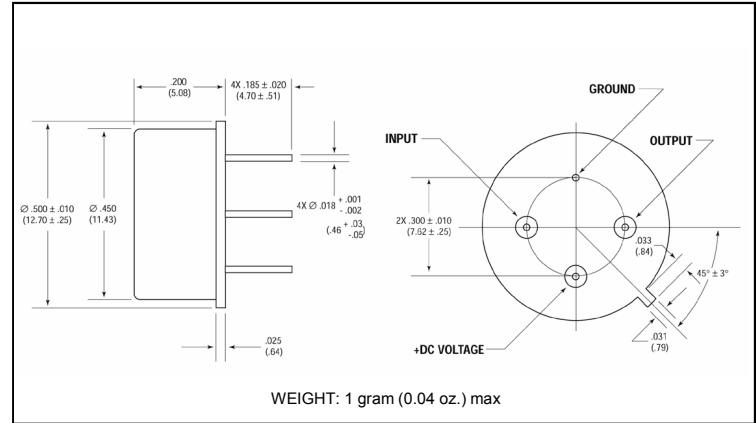
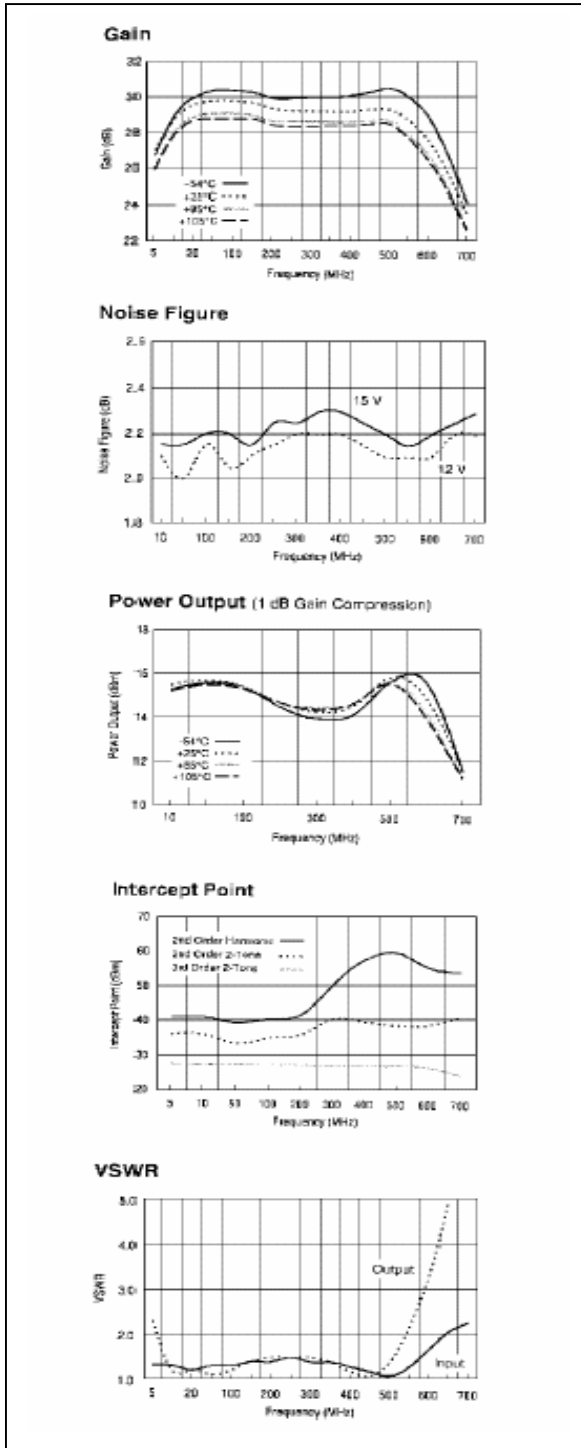
**Cascadable Amplifier
20 to 500 MHz**

A80/ SMA80

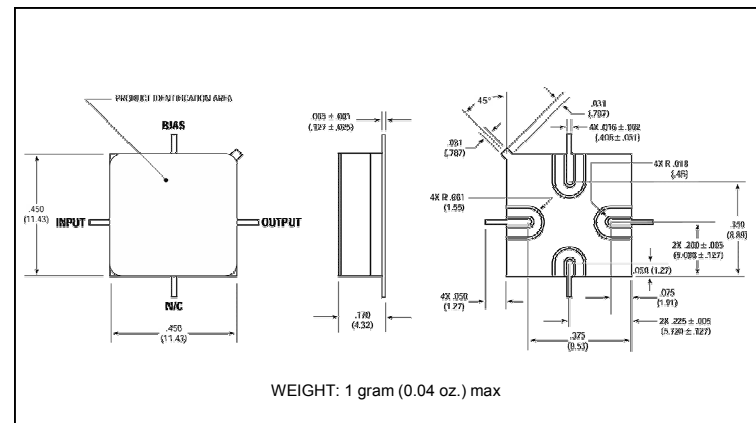
V2

Typical Performance Curves at +25°C

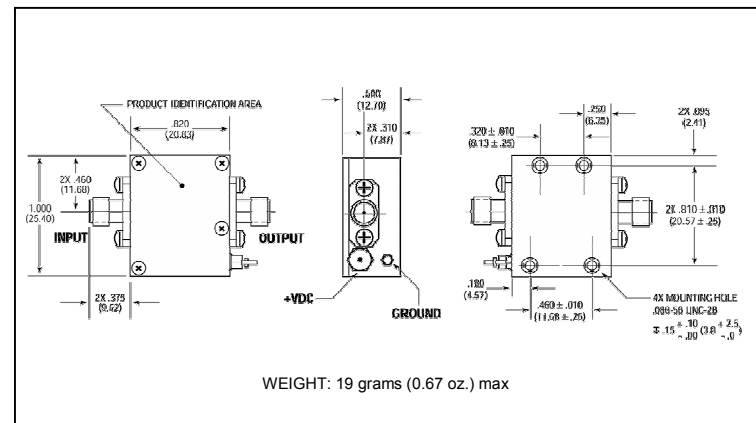
Outline Drawing: TO-8 *



Outline Drawing: Surface Mount *



Outline Drawing: SMA Connectorized *



* Dimensions are inches (millimeters) ±0.015 (0.38) unless otherwise specified.